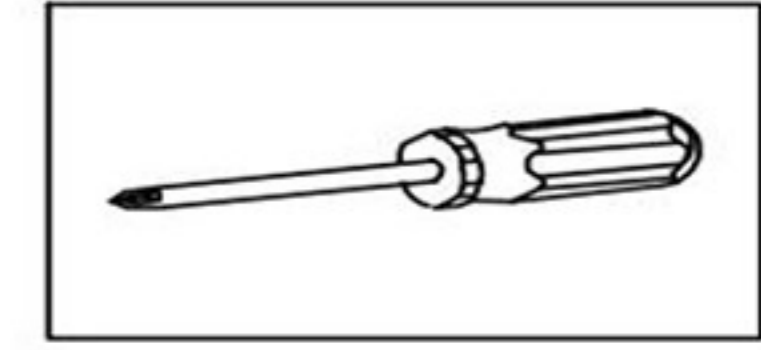
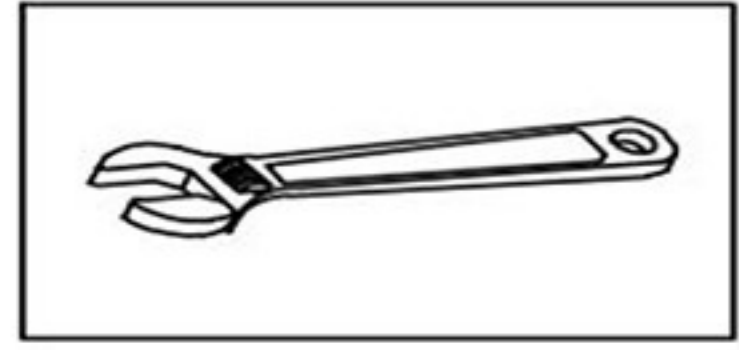


Wall Lamp Installation

Tools Required:



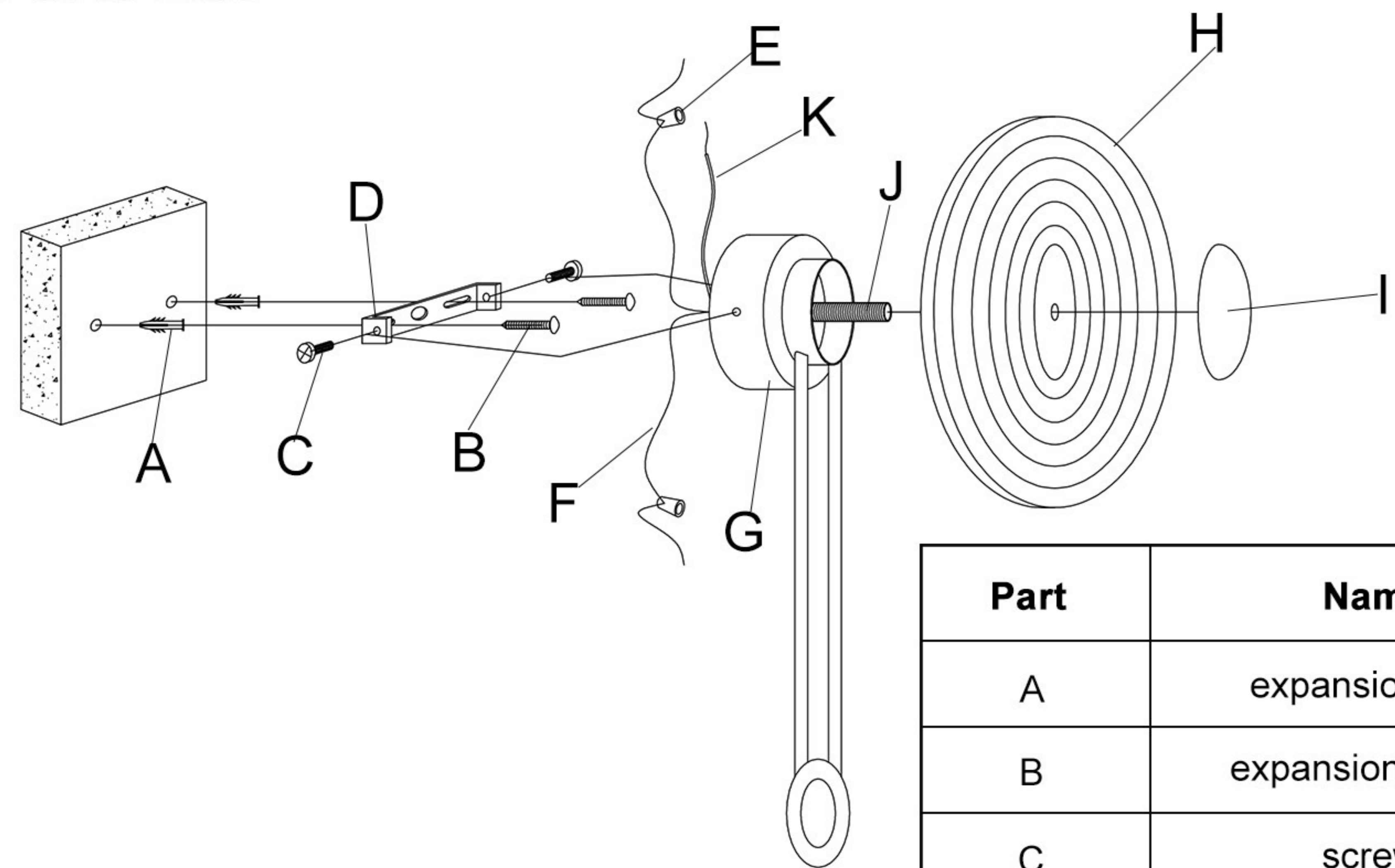
Adjustable Wrench

Philips Screwdriver

Before Installation

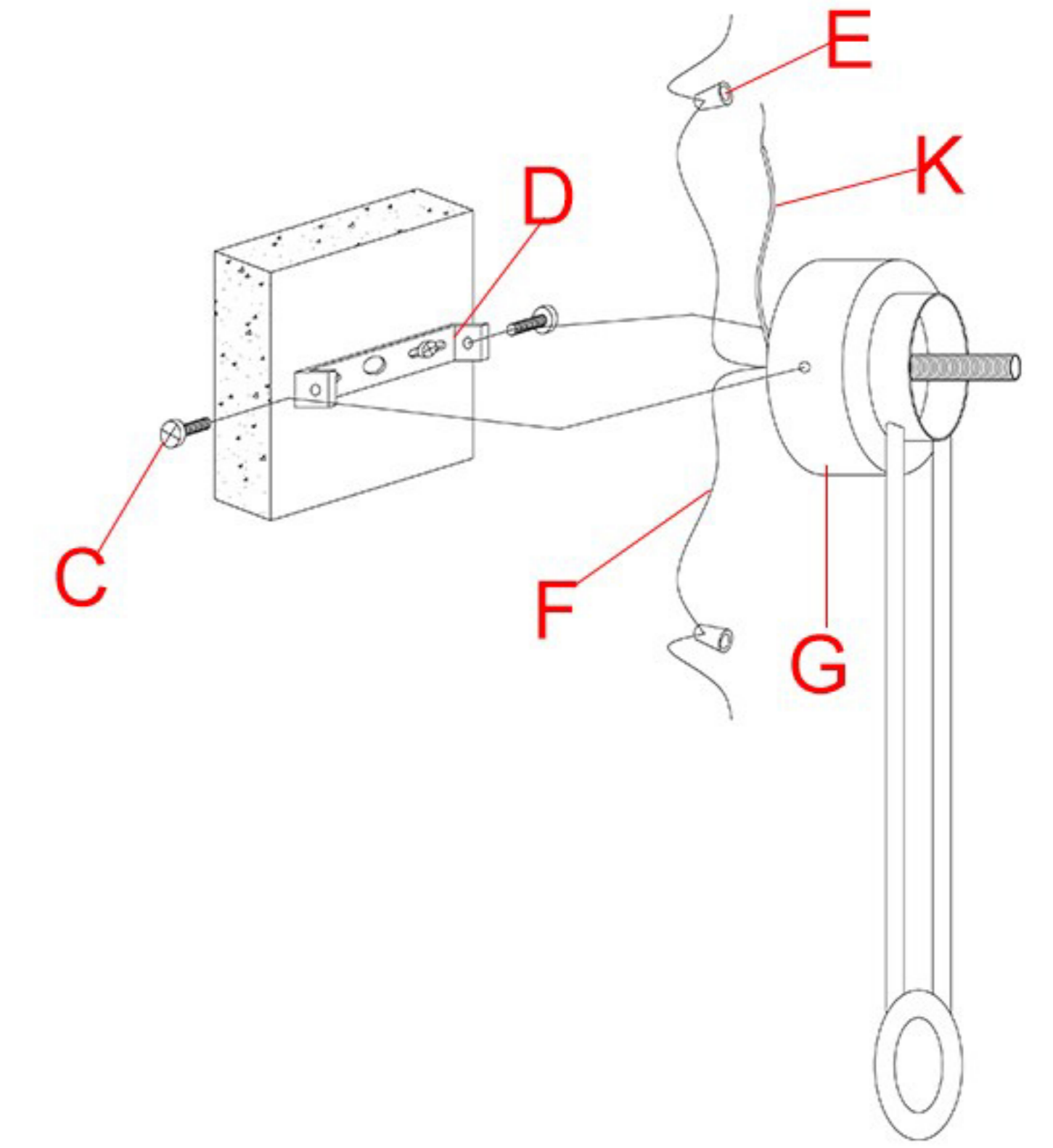
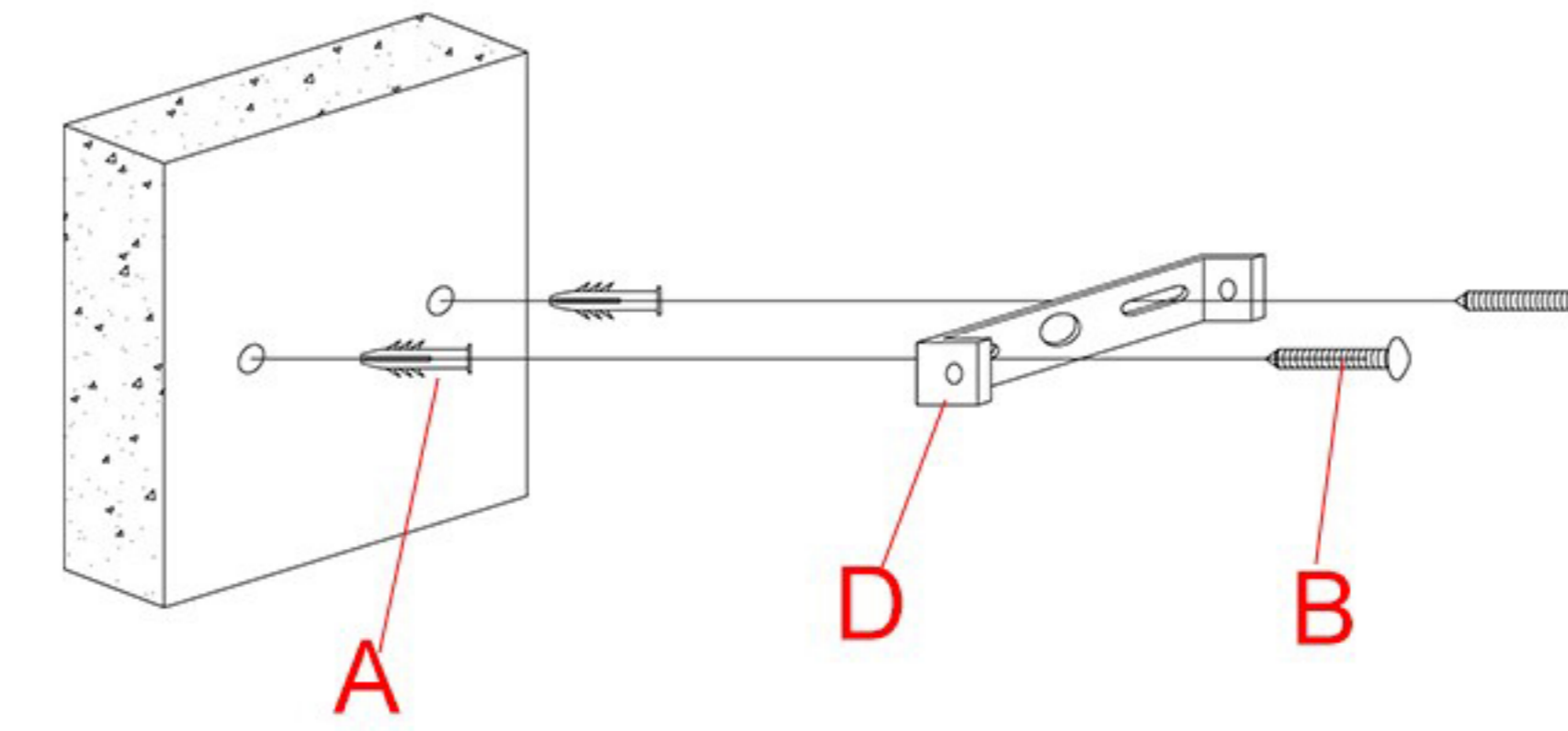
1. Please read these instructions before assembling or installing the product. **NOTE:** Installation by a licensed electrician is recommended.
2. Take out the fixture and the mounting package and make sure all parts are included. If any part is missing or damaged, please contact us.
3. All parts must be used as indicated in these instructions. Do not substitute any parts, leave parts out, or use any parts that are worn out or broken.
4. Do not disassemble the main body, as it has been installed & commissioned correctly & precisely before leaving the factory.
5. **IMPORTANT:** Turn off the main power at the circuit breaker and place the wall switch or pull chain in the "OFF" position.
6. Do not use bulbs with wattage greater than specified on this fixture.

Parts List



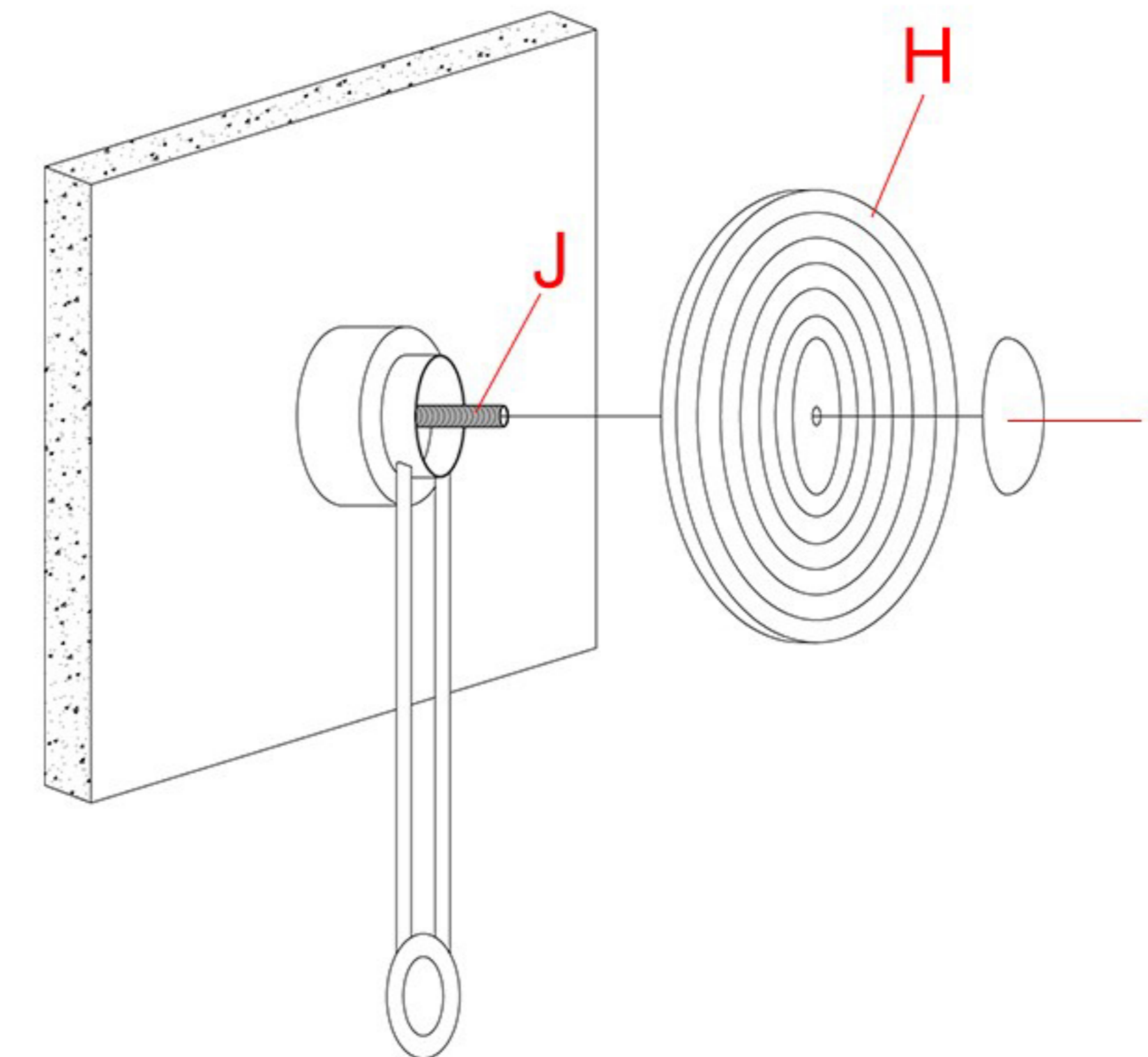
Part	Name	Quantity
A	expansion bolt	2
B	expansion screw	2
C	screw	2
D	mounting strap	1
E	wire connector	2
F	red and blue wire	2
G	lamp fixture	1
H	glass plate	1
I	metal cap	1
J	threaded bolt	1
K	ground wire	1

Installation Guide



1. Shut off the power. Put the mounting strap (D) onto the ceiling and mark holes to drill. Suit the expansion bolts (A) into the holes on the ceiling with a hammer (not included). Let the expansion screws (B) go through the mounting strap and secure the mounting strap by tightening the expansion screws.

2. Connect the red wire (F) to your live wire and the blue (F) to null wire, and then put the wire connectors (E) on them. Connect the ground wire (K). Align the lamp fixture (G) to the mounting strap (D) hole by hole and fix them together with screws (C).



3. Screw up the glass plate (H) and metal cap (I) through the threaded bolt (J). Turn on the power and test.

Troubleshooting

Problem	Possible Cause	Corrective Action
Fixture does not light.	<ol style="list-style-type: none"> 1. Fixture may be wired incorrectly. 2. Worn or broken bulb. 3. Lamp socket or LED transformer (if applicable) may go bad. 	<ol style="list-style-type: none"> 1. Check wiring. 2. Replace bulb. 3. Replace lamp socket or LED transformer (if applicable).
Light bulb flickers.	<ol style="list-style-type: none"> 1. Switch Contacts are bad. 2. Wire connections are loose. 3. Light bulb socket may go bad. 	<ol style="list-style-type: none"> 1. Replace the switch. 2. Check wire connections. 3. Replace the socket.