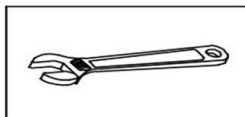
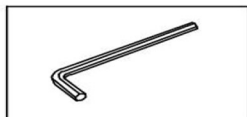


## Chandelier Installation

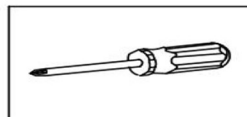
### Tools You May Need:



Adjustable Wrench



Hexagon Wrench



Philips Screwdriver

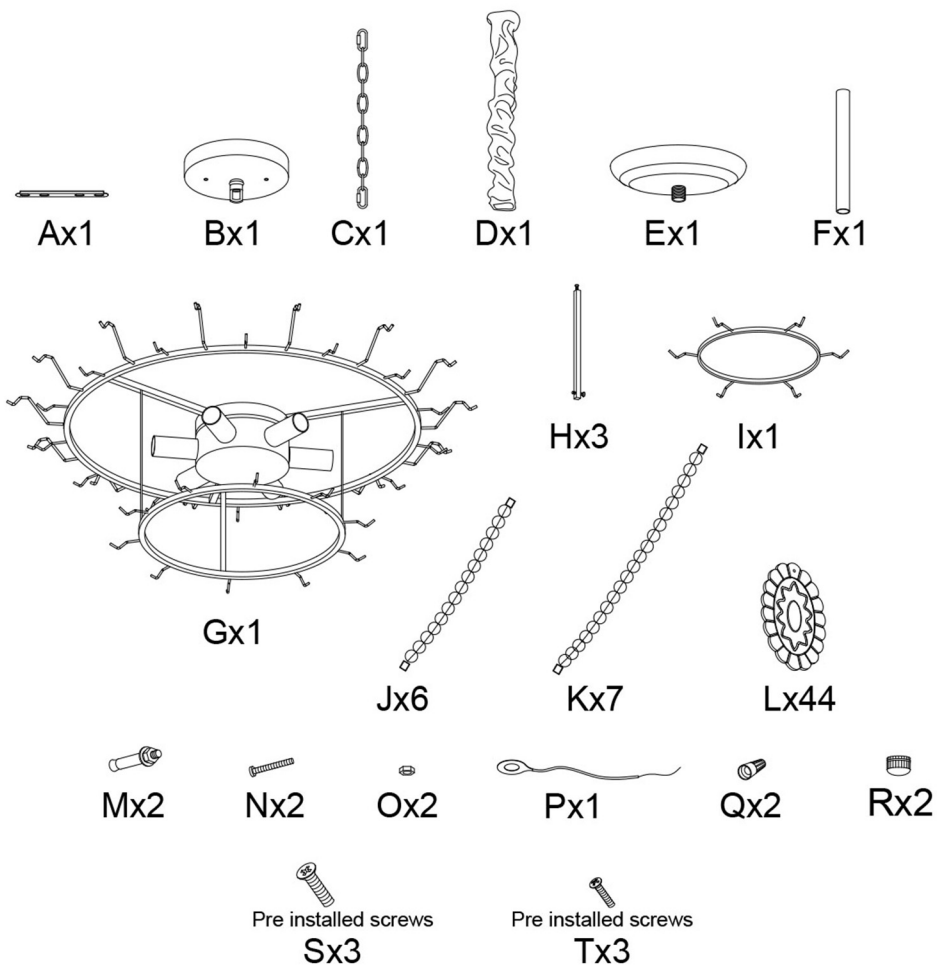
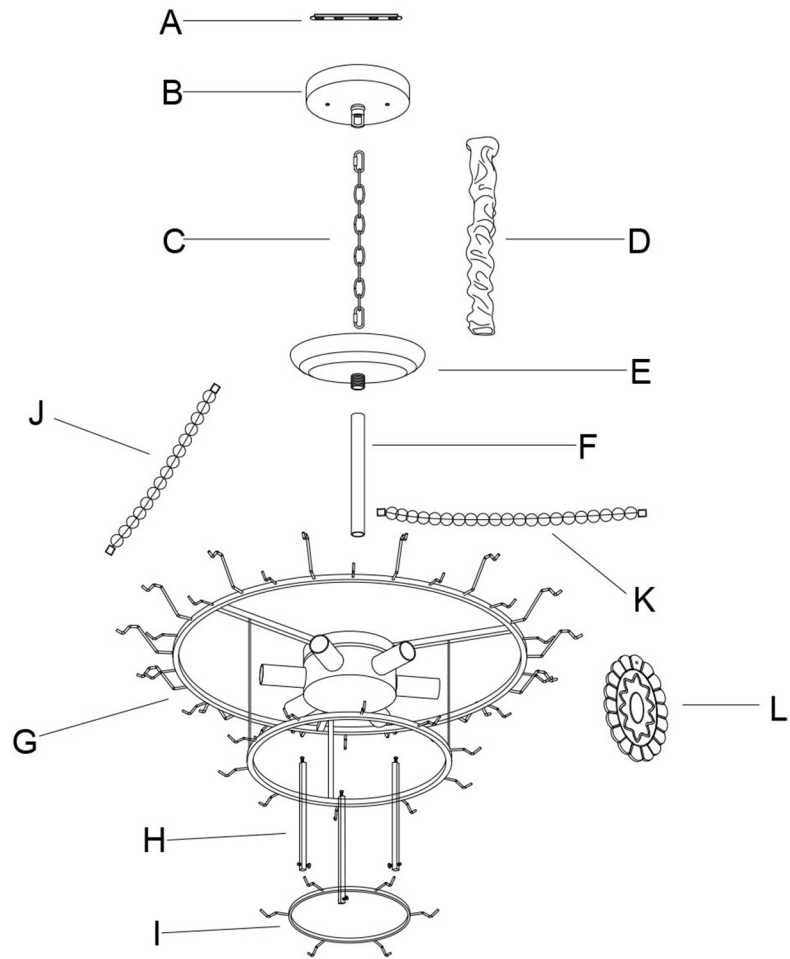
### Before the Installation

1. Do not throw away packing materials until assembly is complete for small parts may come loose inside the carton during shipment. If parts are missing, please contact us.
2. Assemble this item on a soft surface, such as carpet to protect the finish.
3. Proper assembly of this item requires 2 people.
4. Periodically check to ensure that all connections are tight.
5. It is recommended that installation of the product be done by a qualified licensed electrician.

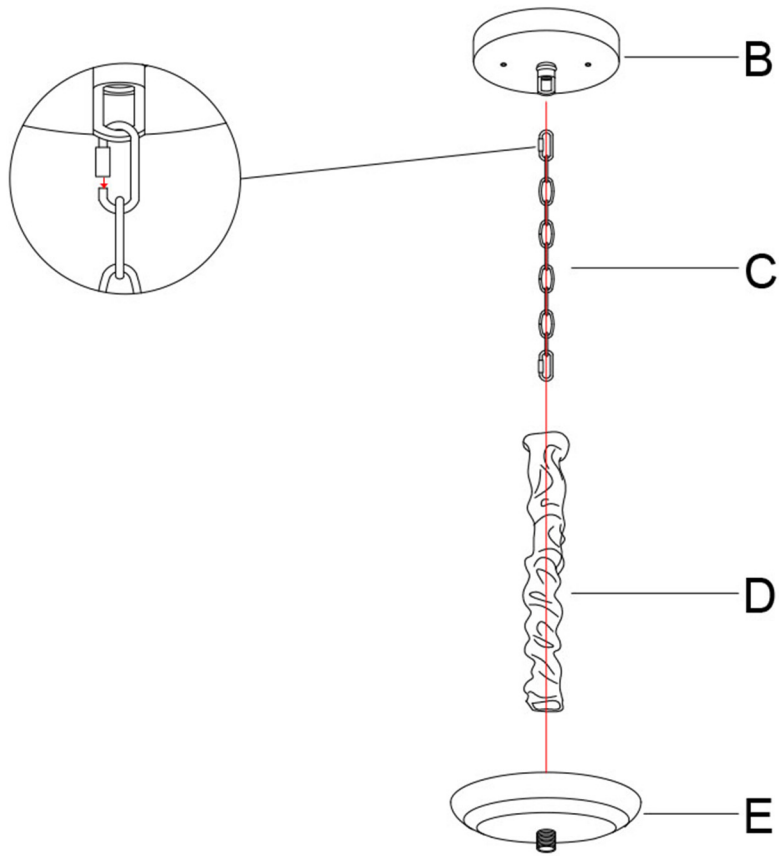
### Care and Cleaning

1. To protect the finish, avoid use chemicals and household cleaners.
2. All hot serving dishes should be placed on a pad.
3. Any liquid spilled onto the top should be cleaned up immediately with a damp cloth.

# Parts List



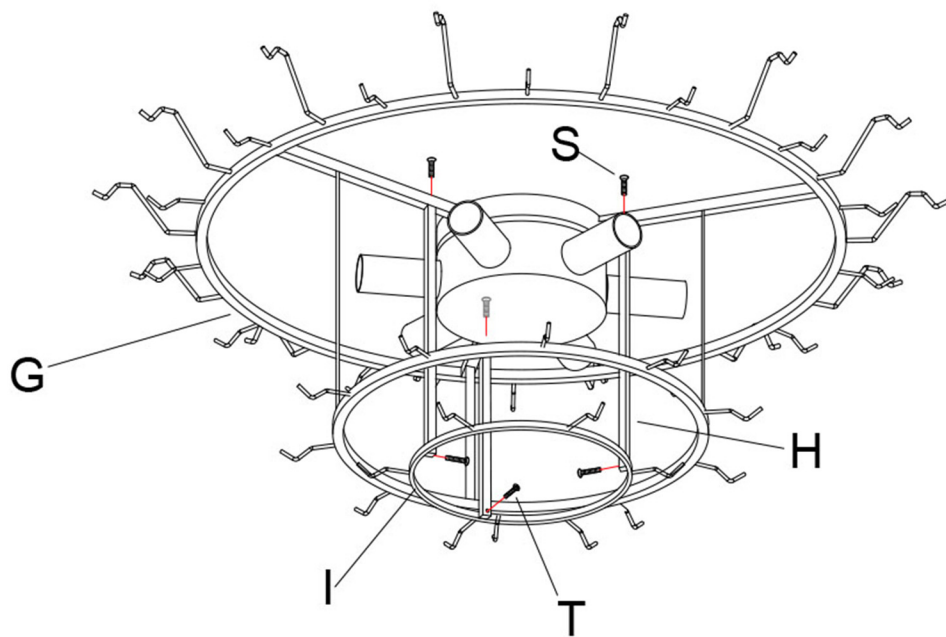
# Step 1



# Step 2

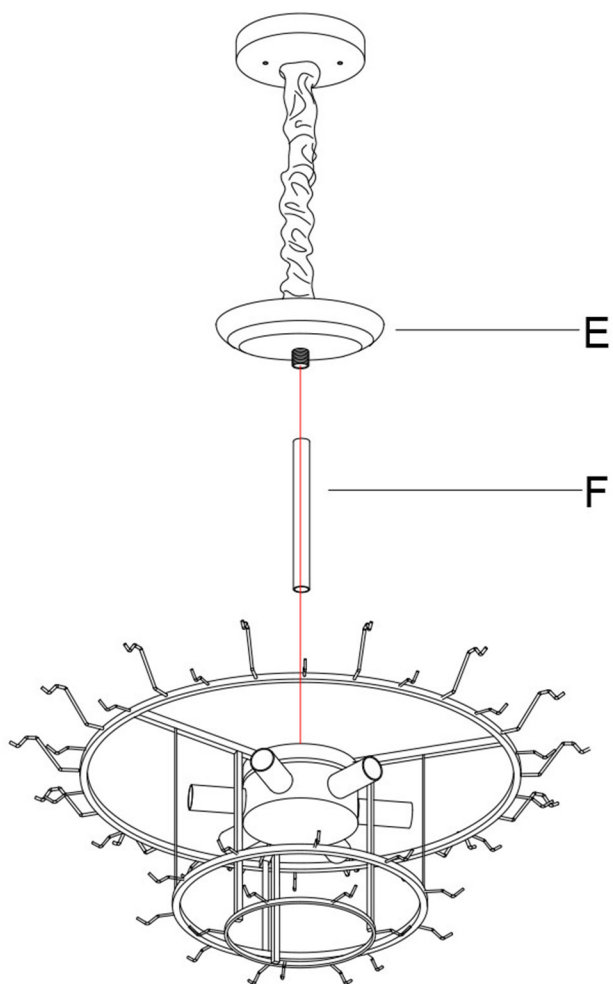
**S**  **x3**  
Pre installed screws

**T**  **x3**  
Pre installed screws



### Step 3

P.4/6

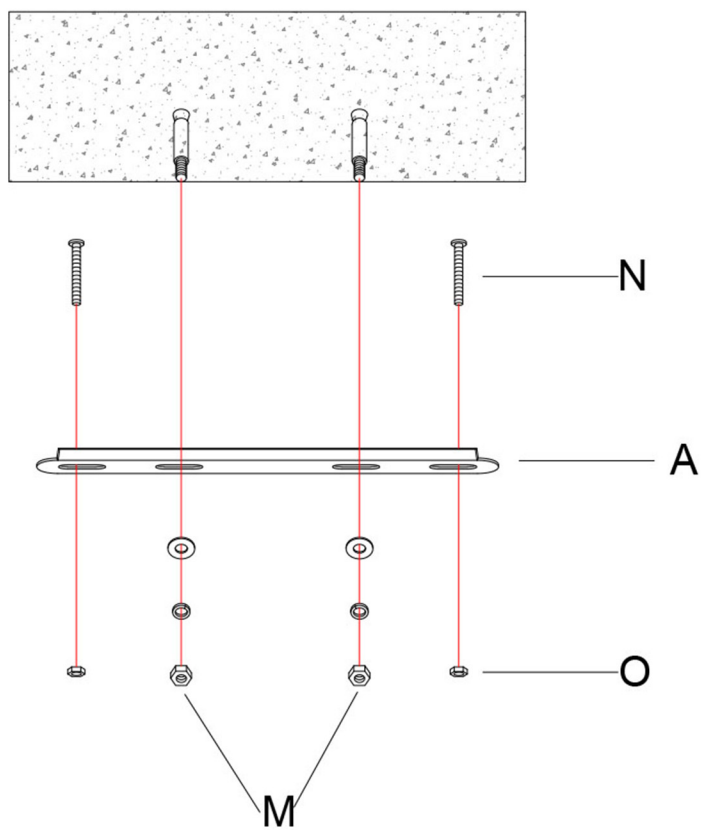


### Step 4

M  x2

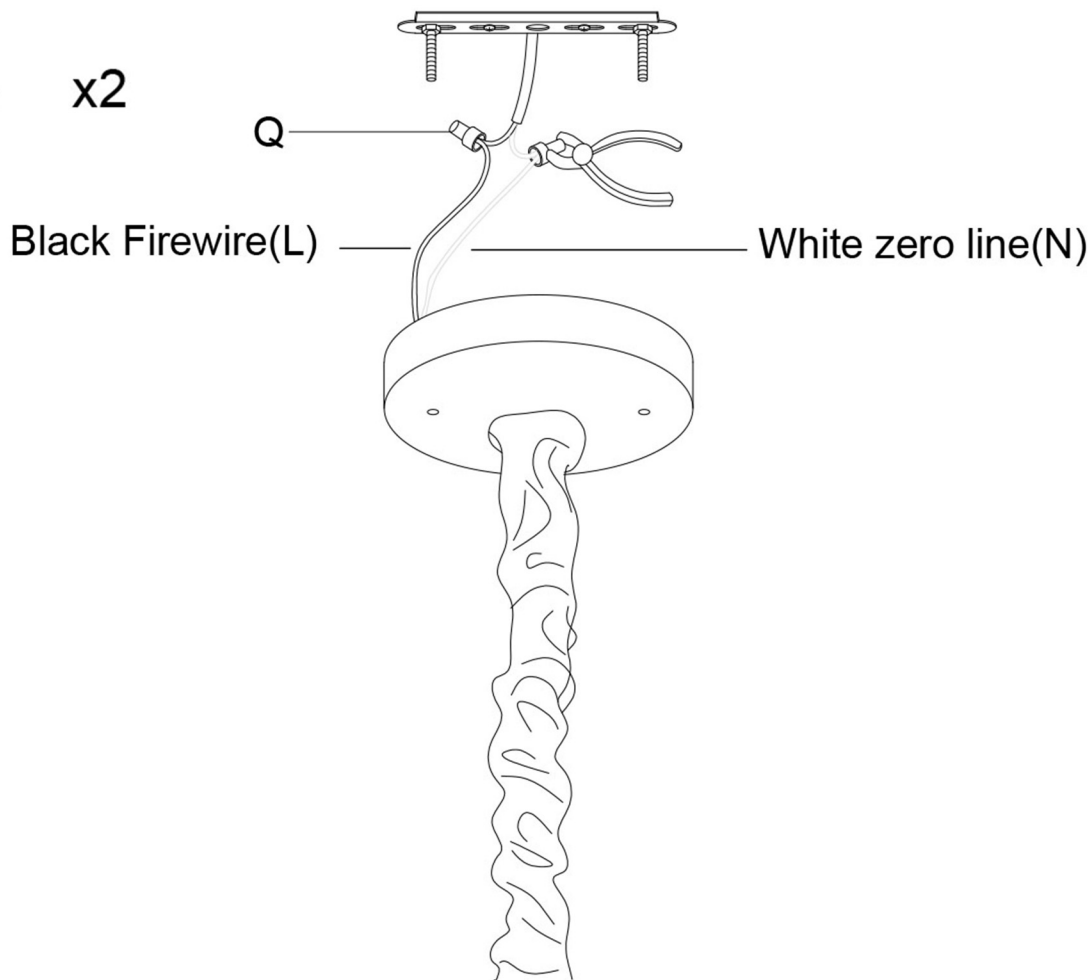
N  x2

O  x2



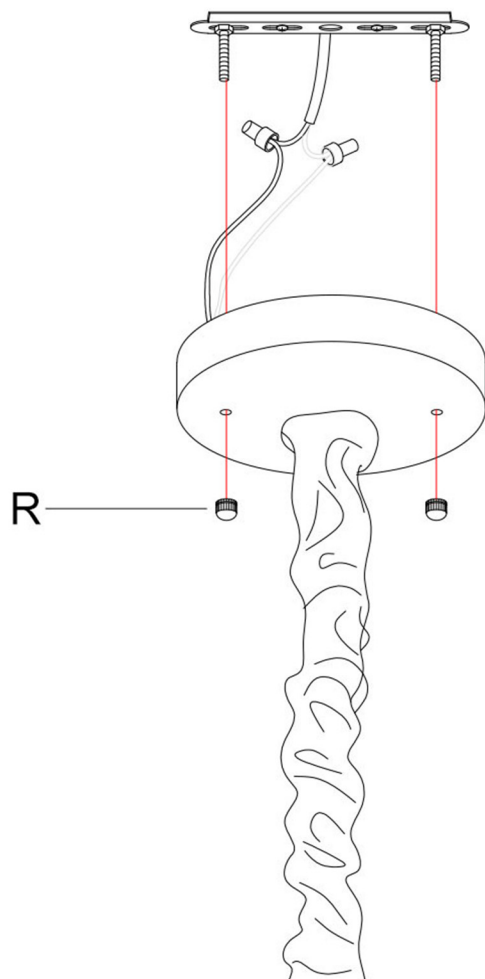
# Step 5

Q  x2

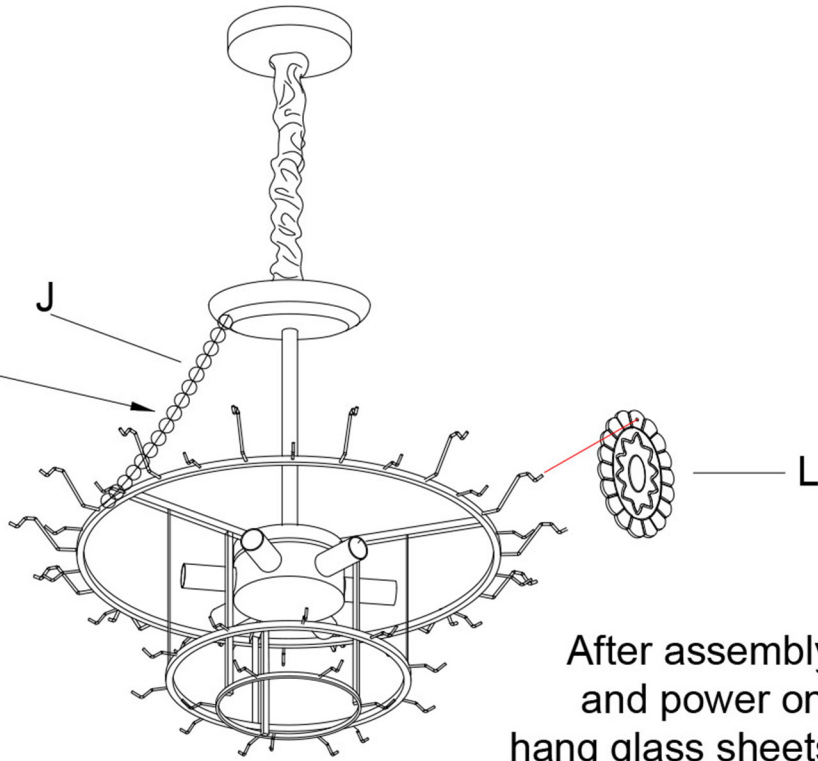


# Step 6

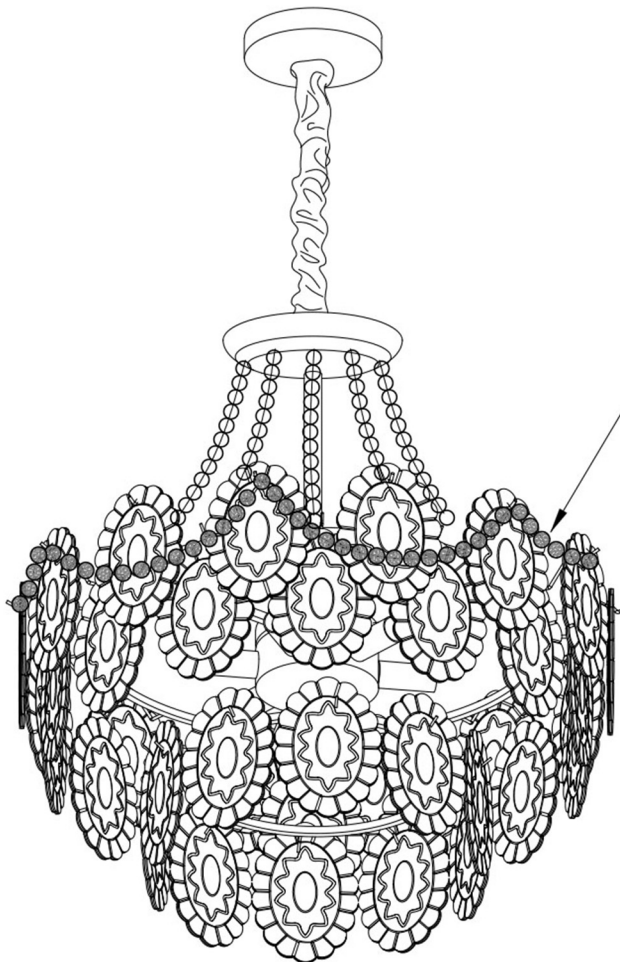
R  x2



Hang the lamp body with 6 pearls (first hang the lamp body and then hang it under the middle plate), and finally lock the middle plate tightly



After assembly and power on, hang glass sheets (44 glass sheets)



K  
Decoration beads (7 strings) after assembly and power on