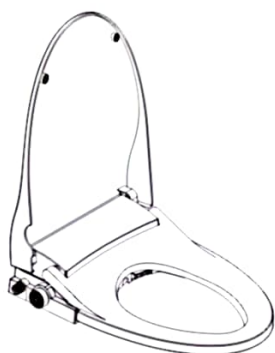


Simenr Technology

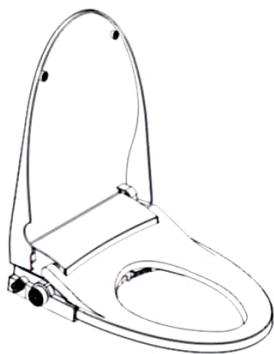
QUALITY PRODUCT QUALITY LIFE

Electronic toilet seat

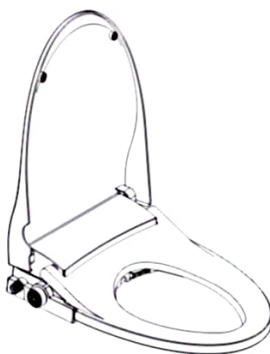
Product Model:



Fuji cloud

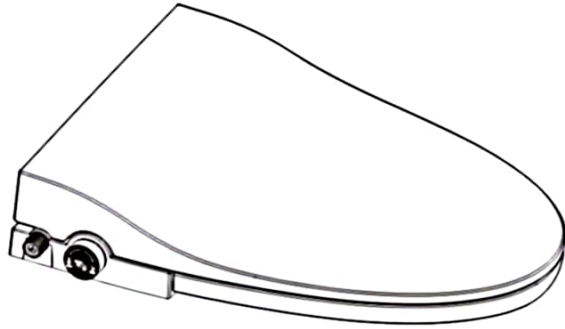


Girl's Newmoon

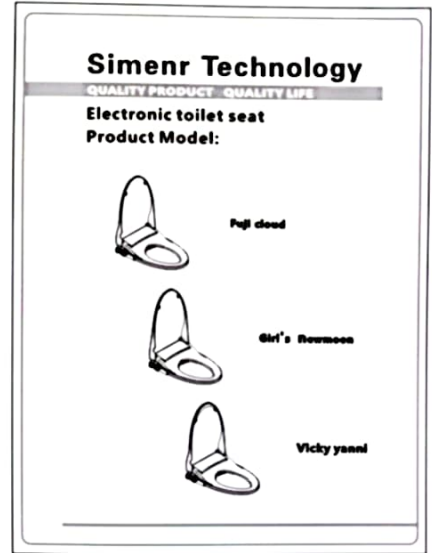


Vicky yanni

1. Bill of package materials



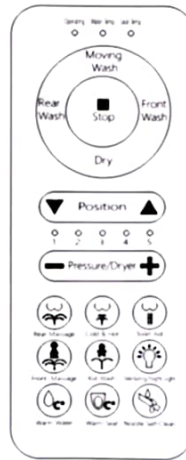
1 Main Unit



2 User Manual



3 Fix Plate



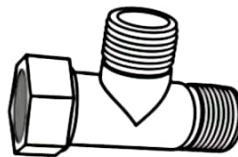
4 Remote Controller



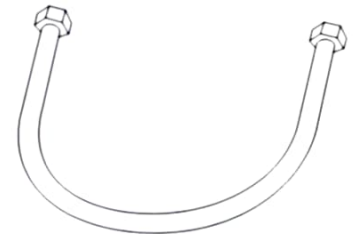
5 Bracket for Controller



6 Filter



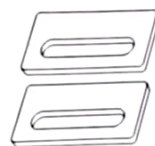
7 tee Fitting



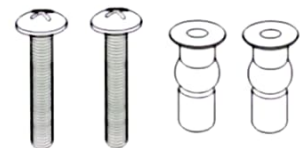
8 Inlet hose



9 Wood screw plastic sieve



10 Adjustment plate



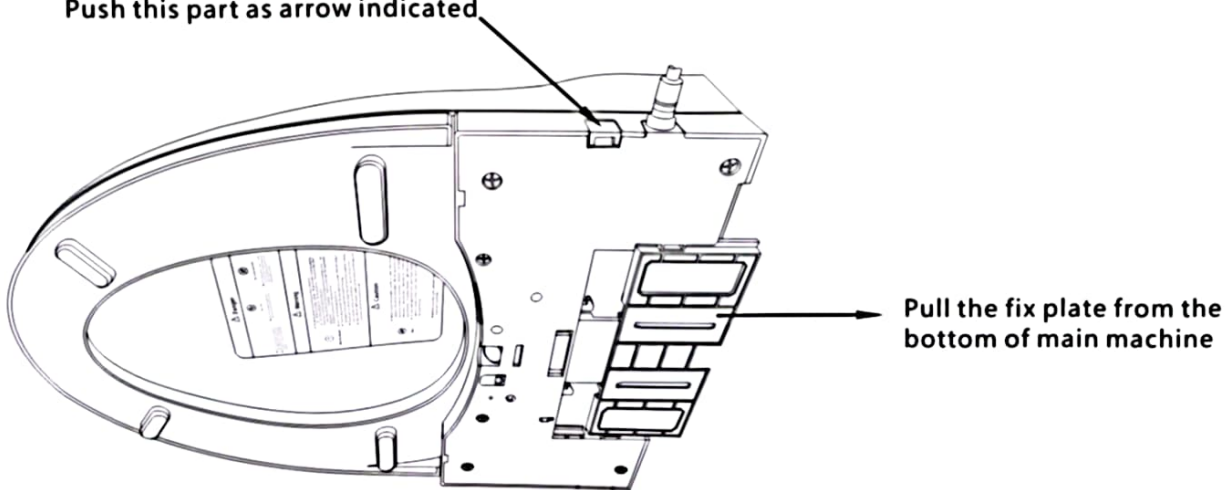
11 Expansion screw

QUALITY PRODUCT QUALITY LIFE

2. Removing fix plate an installation & removing instruction:

2.1. Open the package, you can remove fix plate as below

Push this part as arrow indicated

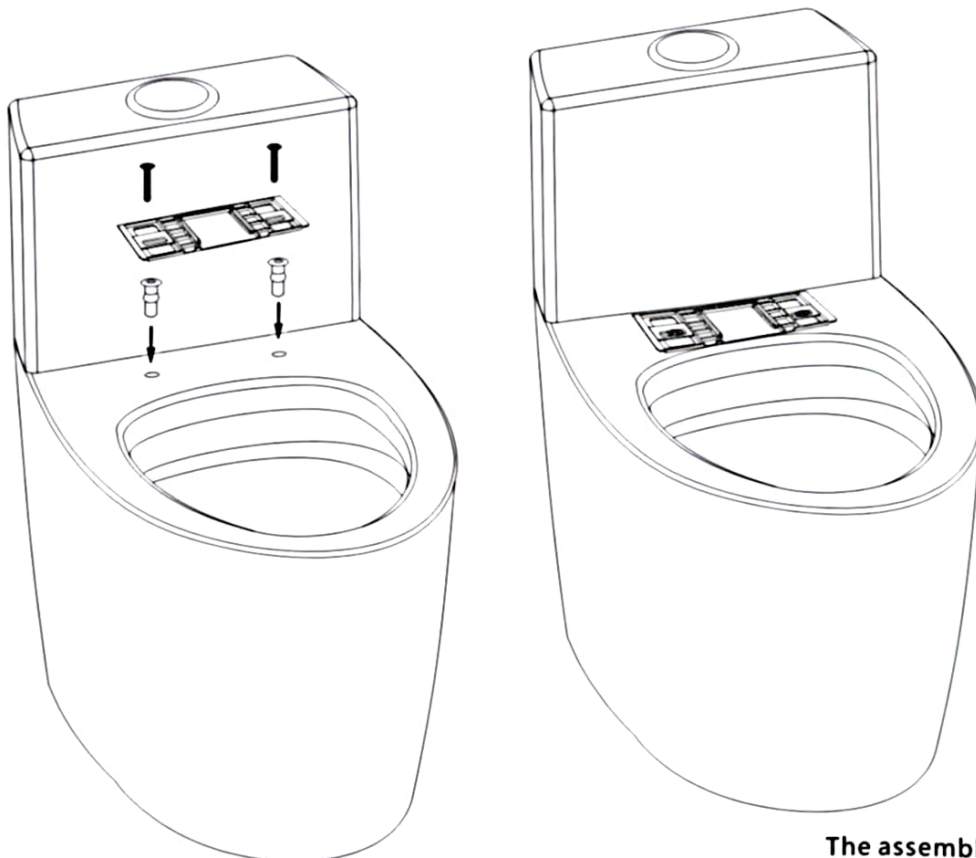


The fix plate is installed in the bottom of main machine, when install the main machine into the toilet, please take it out.

2.2. Installation diagram and step

First Step:

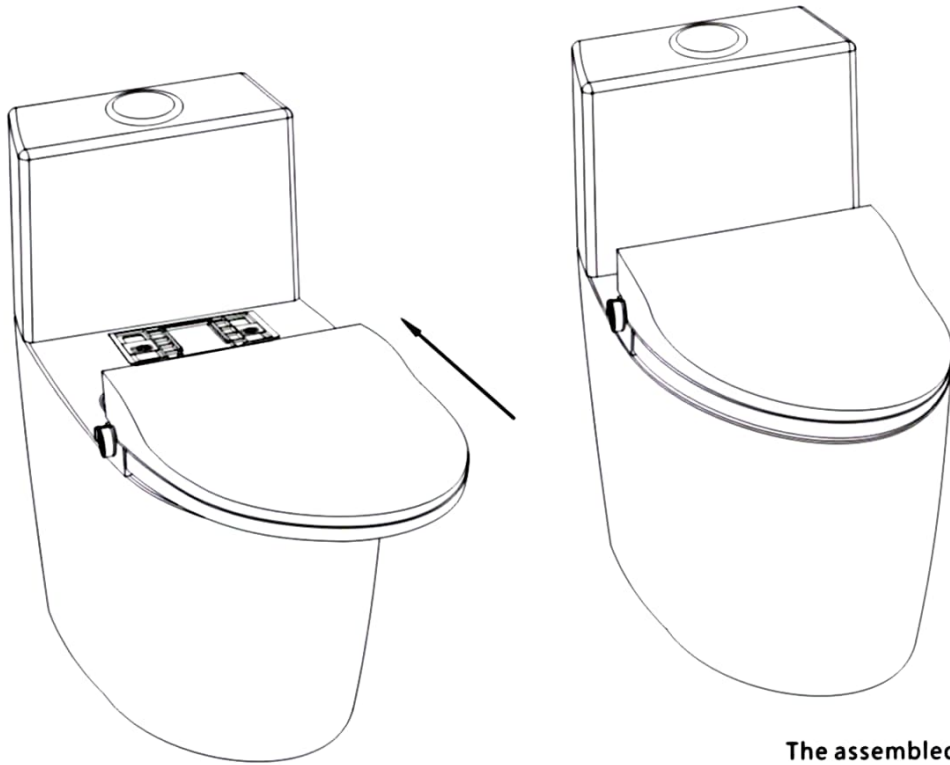
Put the 2 expansion rubber sleeve into the toplet, and the put the fix plate and adjustment plate on the toilet, and finally fix the 2 plate into the toilet with screw.



The assembled status

The second step:

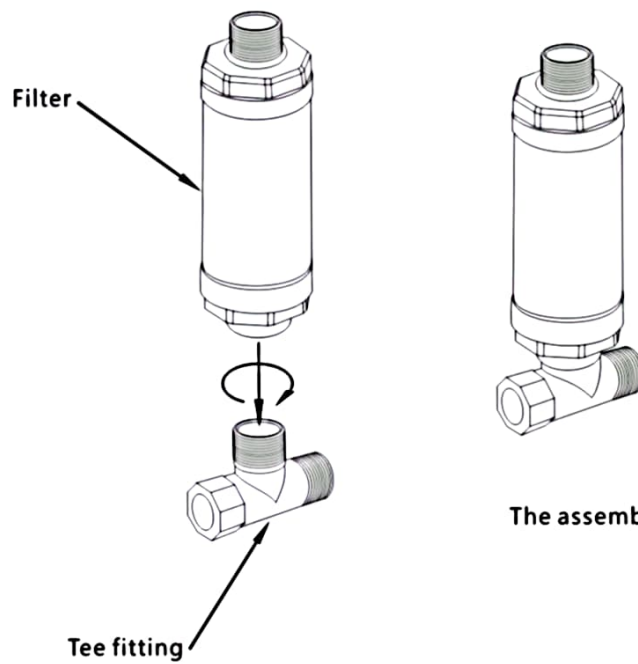
Push the main machine into the fix plate according to the arrow direction, the main machine will be insert into the plate tightly.



The assembled status

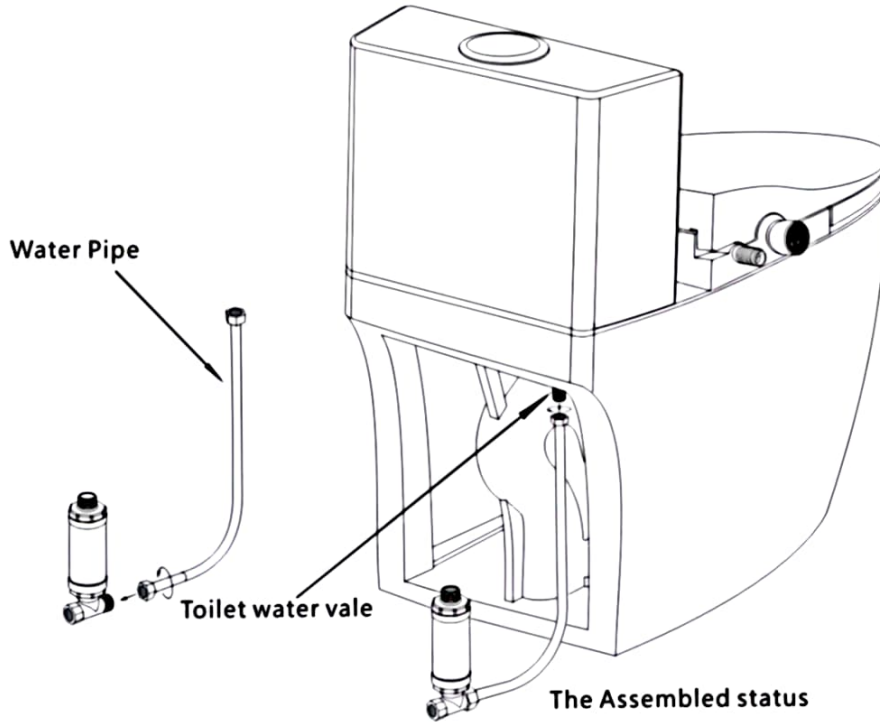
3rd Step:

Connect the too fitting with the filter.

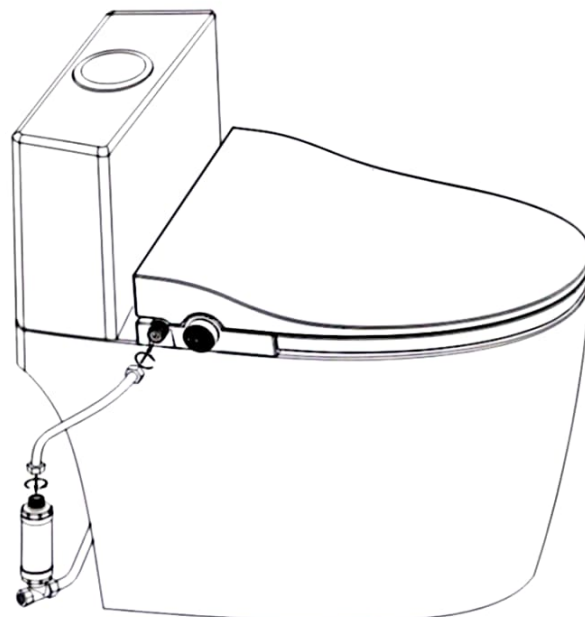


The assembled status

4th Step :
Connect the water pipe with tee fitting first,
and then connect the pipe with toilet water vale.

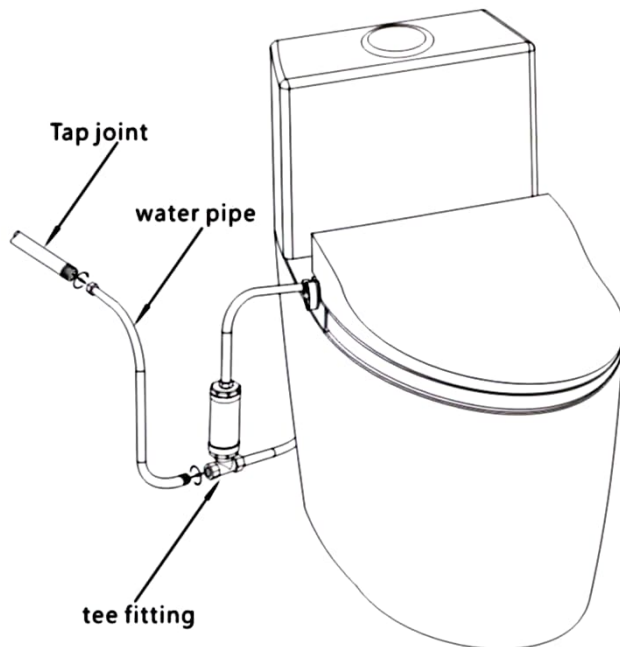


5th step:
Connect the second water pipe with filter first,
and then connect the pipe with inlet water vale
of main machine.



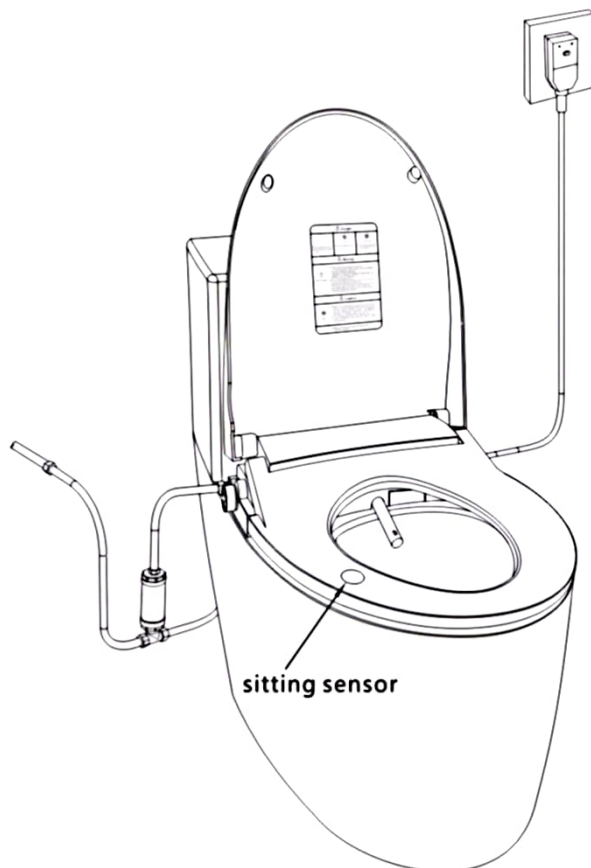
6th step:

Connect the 3rd water pipe with tee fitting, and then connect the pipe with the tap joint; then turn on the tap water to check whether it occur water leaking, if no, meaning the water connection is finished.



7th step:

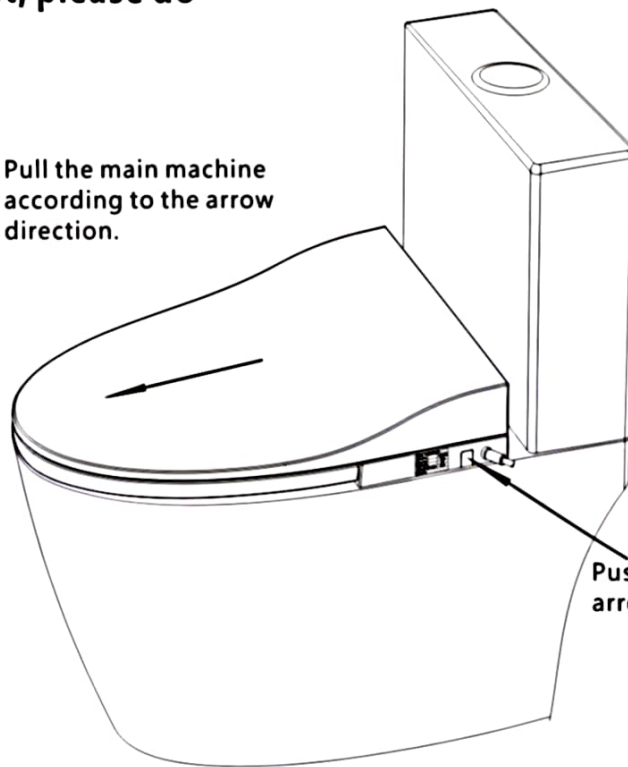
Insert the power plug into the AC socket, press the body sense area, you can test the main machine according to user manual.



⚠ AC socket should connect with ground, otherwise the power plug won't operate correctly.

2.3、 If you want to remove the main machine from toilet, please do as below:

Pull the main machine according to the arrow direction.



Push this part as arrow indicated.

If need remove the main machine, you do it base on the 2 action as above.

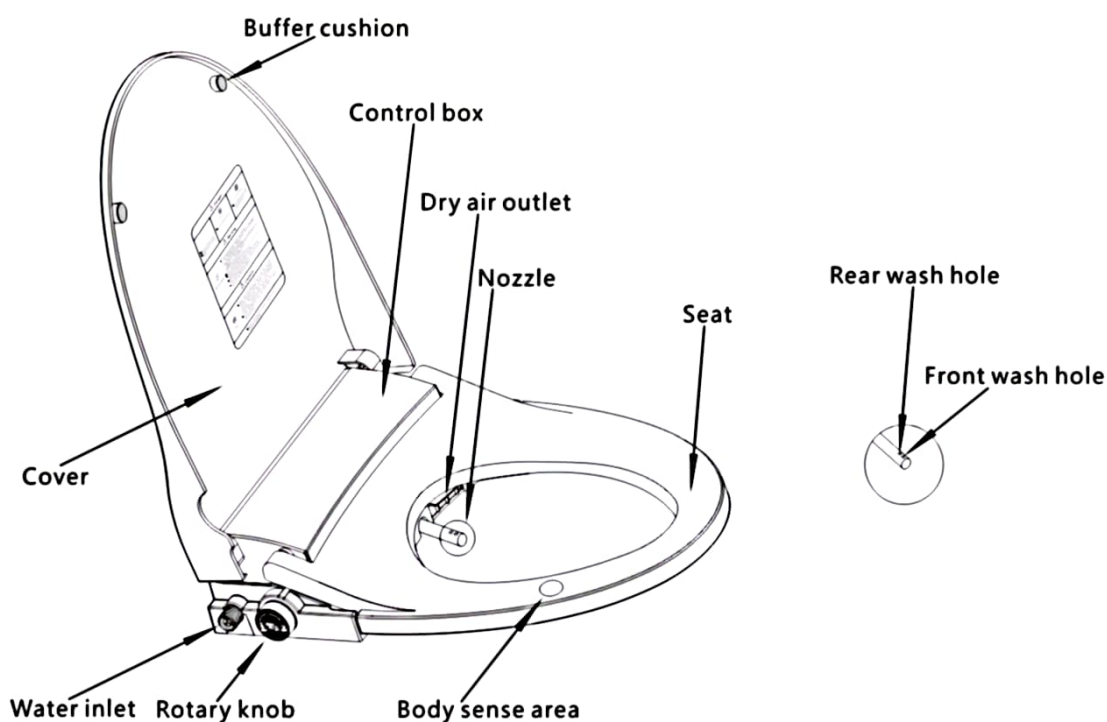
2.4、 Technical parameter

Rating voltage	AC 120V 60Hz
Maximum Power	1000W
Water proof class	IPX4
Operating temperature	3~40°C
Inlet water temperature	4~35°C
Water pressure	0.07~0.7MPa
Warm water temperature	34~40°C
Maximum Power for instant heater	950W
Warm seat temperature(the maximum	35~42°C
Warm seat power	50W
Dry temperature(the maximum level)	40~50°C
Dryer power	250W
Dimension	514×398×110
Weight	≈ 3.75 KG
The length of AC wire	1.4 M

Product mode VS Function

Function	Fuji cloud	Girl' s new moon	Vicky yanni
Rear wash	√	√	√
Front wash	√	√	√
Toilet aid	√	√	√
Cold & hot	√	√	√
Massage wash	√	√	√
Dry	√	√	√
Nozzle position change	√	√	√
Reciprocating wash	√	√	√
Water pressure/Dry temperature change	√	√	√
Warm water temperature change	√	√	√
Warm seat temperature	√	√	√
Easy operating for rotary Knob	√	√	√
sterilization	√	√	√
Nozzle self-cleaning	√	√	√
Human sense	√	√	√
Remote Control	√	√	√
Night light	√	√	√

3. Main part of unit



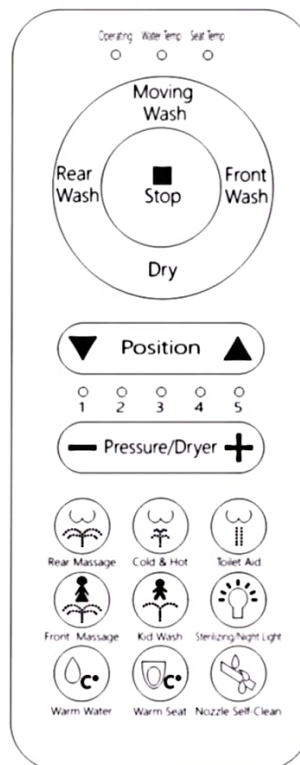
4. Operating

4.1、Rotary knob



- Grasp the Knob, rotate it toward the different arrow direction, and then enter the different wash function.
 - Short press the middle key of Knob, it can stop the wash and dry function.
 - Short press the middle key of Knob, and then enter the dry function.
- After set up "Warm water" & "Warm seat" & "Dry level" with Remote controller, can easy operating with the Knob.

4.2、Remote controller



Quickly press the middle key of Knob until the Knob flash yellow light, and then long press the key "Stop" of Remote Controller, if heard "bee, bee" sound and the yellow light be off, it mean Remote Controller can communicate with the main unit.

5. The main function of unit

Only the human body sit on the seat and active the body sensor behind the seat(a "bee" will be sound), then can use the unit.

- 5.1 Stop
- 5.2 Rear wash
- 5.3 Front wash
- 5.4 Cold & hot wash
- 5.5 Water Massage(rear & front)
- 5.6 Dry
- 5.7 Toilet aid
- 5.8 Nozzle position change
- 5.9 Nozzle moving wash
- 5.10 Water pressure change
- 5.11 Dry temperature change
- 5.12 Water Temperature change
- 5.13 Seat Temperature change
- 5.14 Sterilizing/Night light
- 5.15 Emergency function

Caution

1. The unit only can be powered by 120V/60HZ AC Mains.
2. The AC socket should be fixed in the wall , the distance should be least 50CM higher than the floor , the safe ground connection at should be guaranteed.
3. Can't install the unit on the place which easy Splashed by water or conducting liquid, to avoid the electric shock accident.
4. Socket or wiring should be withstand the maximum load of the unit, independent socket or wiring is suggested.
5. In order to avoid the electric shock accident, the power code can't be damaged by weight or sharp instrument crushed.
6. Don't touch the socket or power plug with wet thing, or flush the socket with liquid, otherwise, the electric shock accident will happen. Should clean the power plug with dry and clean clothes, and insert the power plug into the socket tightly.
7. To avoid damaging the unit, the inlet liquid or clean liquid excluding the industry water/waste water/sea water or other chemical liquid.
8. The power plug should be pull out when thunder occur.
9. The suggested operating ambient temperature is 3~40°C, if it is below 3°C, the inlet ice water may damage the unit.
10. Putting the unit on the sunshine, will cause the unit aging or fading or unreliable function.
11. If need clean the unit, should pull out the power plug first. You can clean the unit with clean clothes (dip in water, and then wring it dry).

12. Put the unit far away the heating appliance or object in flames, to avoid damaging the unit or even cause fire.
13. Not leaning against the toilet, to avoid damaging the toilet.
14. When the nozzle stretch out ,not pull it in case damage it.
15. Try to avoid the pee or shit dipping in the nozzle, otherwise; the bacteria will easy occur on the nozzle; if some dirty on the nozzle, please clean it.
16. Please not lean the unit for 45° or place upside down the unit during shipping/storage/installation; otherwise, the unit maybe be damaged.
17. Do not insert the slender object into the unit, otherwise, it will cause the electric shock accident or unit damage.
18. When installing or disassembling or repairing the unit, the professional people is suggested.
19. To ensure the water flow smoothly, the inlet pipe shouldn't be bent or twisted; otherwise, the wash function will be affected.
20. Not leave the kid or intellectually disabled people alone in the room which install the unit, not let them playing with the unit. If they need use the unit, It should be supervised by adult. For the kid wash, the warm seat or water temperature should adjust by adult.
21. Do not use the unit if there are some shower nozzle is spraying nearby.