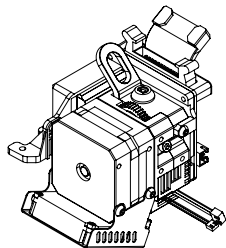


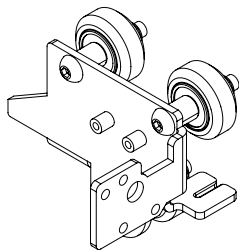
Sprite Extruder Pro Kit User Manual

Sprite Extruder Pro Kit 使用手册

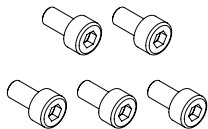
Parts List 零件清单



Sprite Extruder Pro (including adapter board)
Sprite Extruder Pro (包括转接板)



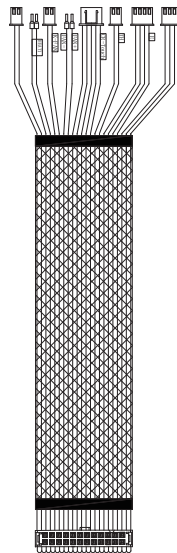
Mounting Backplate Kit
安装背板套件



M3x6 Hexagon Round Head Screw *5
M3x6内六角圆柱头螺丝*5

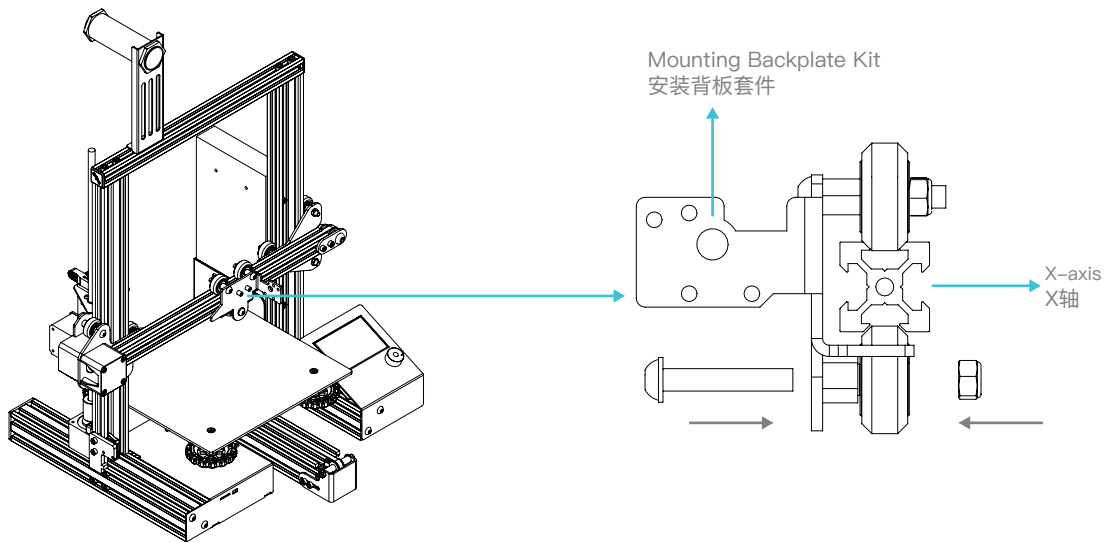


Copper Alloy Nozzle (0.4mm)
铜合金喷嘴 (0.4mm)



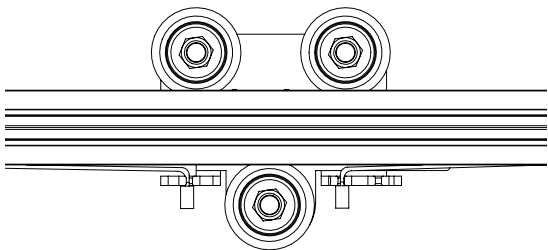
Flat Cable (1.3m)
排线 (1.3m)

Installation instructions 安装步骤



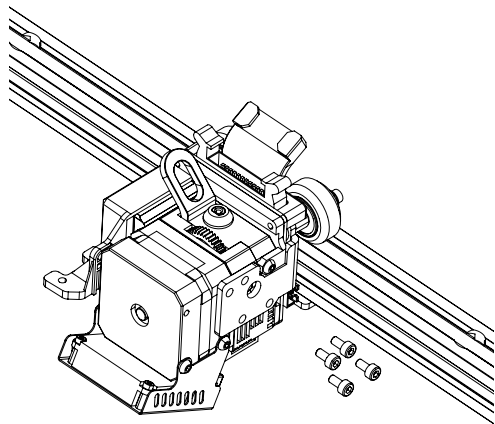
1. Remove the original hotend kit, and install mounting backplane kit on X-axis profile.

拆掉机器原有喷头后，将安装背板套件安装在X轴型材上。



2. Select an appropriate slot on the mounting backplane according to timing belt length. Adjust the eccentric nut so that mounting backplane kit slides freely on the X-axis profile without shaking.

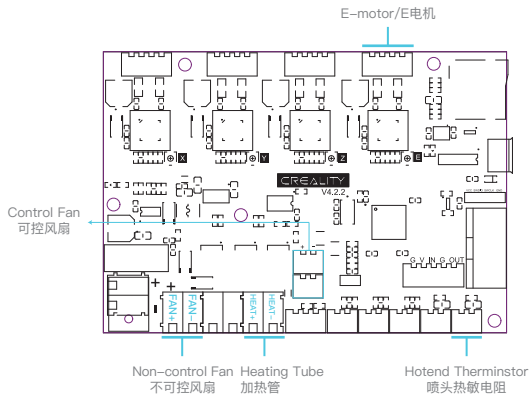
根据同步带长度，在安装背板上选择合适的卡位，调节偏心螺母，使安装背板套件在 X 轴型材上不晃动且自由滑动。



3. Fix Sprite Extruder Pro on mounting backplane with 4pcs M3x6 hexagon round head screws.

将 Sprite Extruder Pro 通过 4 颗 M3x6 内六角圆柱头螺丝固定在安装背板上。

Motherboard Wiring Diagram 主板接线示意图



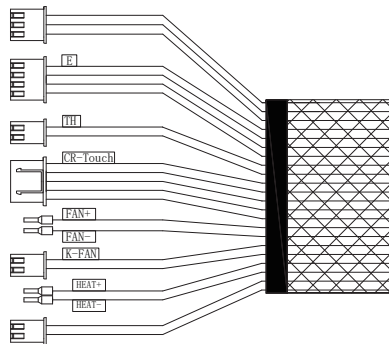
E-motor/E电机

Hotend Thermistor
喷头热敏电阻

CR-Touch
自动调平套件

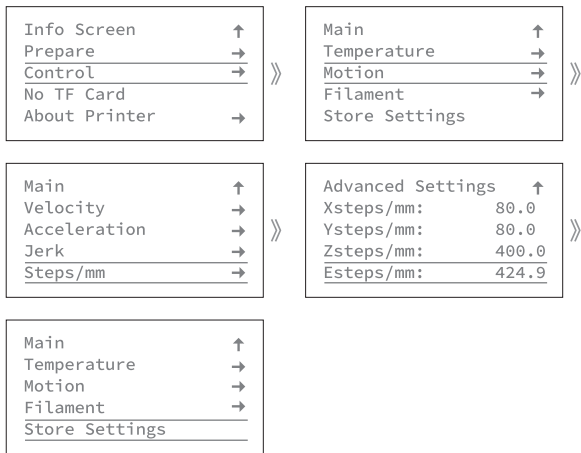
Non-control Fan
不可控风扇

Control Fan/可控风扇
Heating Tube
加热管



4. Connect terminal to corresponding interface on motherboard according to the cable label(Terminals without labels are redundant and do not need to be connected to motherboard. Please disconnect printer power when wiring). Then connect the other end of the cable to Sprite Extruder Pro.

按排线线标将对应端子接在主板相应位置(无线标的端子为冗余,无需接在板上,接线时请断开机器电源)。然后再将排线另一端连接到 Sprite Extruder Pro。



5. Adjust the printer's Esteps value to 424.9 (the value is for reference only and can be fine-tuned according to the actual printing situation), and then click "Store Settings".

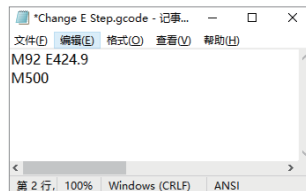
将机器 Esteps 数值调节到 424.9(参考数值, 可根据实际打印情况微调此值), 然后点击“存储设置”。

If the printer does not support adjusting the Esteps value to 424.9, you can make it with the following 4 steps.

- 1.Create a new text file (txt) and type "M92 E424.9" in the text.
- 2.Press "Enter" to continue typing "M500".
- 3.Save the file as the gcode format, and copy it into TF card.
- 4.Insert the TF card into the printer and click to print this file. At this time, the printer's Esteps value has been adjusted to 424.9.

若机器不支持将 Esteps 数值调节到 424.9, 可通过以下四步调节:

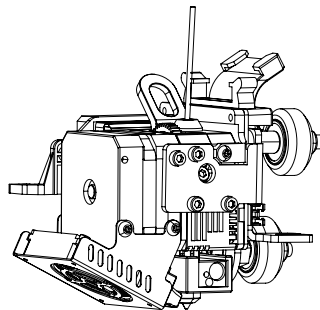
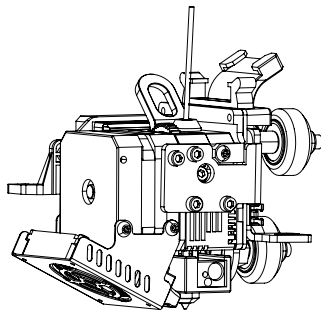
1. 新建一文本文档(txt), 键入“M92 E424.9”;
2. 回车继续键入“M500”;
3. 将文件另存为 gcode 格式, 拷入 TF 卡;
4. 插入机器点击打印此文件, 此时机器 Esteps 数值已调节为 424.9。



1. After installation, you need to level printing platform again.
2. The side adjusting screw on the Sprite Extruder Pro can adjust the clamping degree between extrusion gear and filament. Clockwise is for tightening and anticlockwise is for loosening.
3. The withdrawal distance must be less than 3mm.
 1. 安装完成后, 需对打印平台重新进行调平。
 2. 可通过调节 Sprite Extruder Pro 侧面调节螺丝, 调节挤出齿轮与耗材夹紧程度, 顺时针调紧, 反之调松。
 3. 回抽距离需小于 3mm。

If 3D printer restarts during hotend heating up, please reverse the heating tube connectors on mainboard.

若打印模型加热喷头时，3D打印机出现重启现象，将加热管主板端接头位置对调。



Sprite Extruder Pro Kit Material Guide

Material	Printing with enclosure recommended	Dry box recommended	Retraction distance	Retraction speed	Heatbed temperature (+- 5°C)	Nozzle temperature (+- 5°C)	Recommended printing speed
CR-PLA	NO	NO	0.8mm	40mm/s	60°C	200°C	50mm/s
CR-TPU	NO	NO	2mm	40mm/s	60°C	230°C	50mm/s
HP-TPU	NO	NO	2mm	40mm/s	60°C	210°C	50mm/s

Sprite Extruder Pro Kit 耗材指引

耗材	使用保温罩	使用耗材干燥盒	回抽距离	回抽速度	热床温度 (+- 5°C)	喷嘴温度 (+- 5°C)	推荐打印速度
CR-PLA	NO	NO	0.8mm	40mm/s	60°C	200°C	50mm/s
CR-TPU	NO	NO	2mm	40mm/s	60°C	230°C	50mm/s
HP-TPU	NO	NO	2mm	40mm/s	60°C	210°C	50mm/s

Retraction speed: **35-45** mm/s

Retraction distance (direct drive) for rigid materials (PLA): **0.8** mm

Retraction distance (direct drive) for soft materials (TPU-95): **2** mm

Caution: ① All wires must not be clamped during machine assembly;

② For parameter configuration and more advanced configurations, please refer to the official website: www.creality.com

The specific values of printing parameters need to be adjusted according to filaments of different manufacturers.

回抽速度:

硬质耗材 (PLA) 回抽距离(近端挤出): 0.8mm

软质耗材 (TPU-95) 回抽距离(近端挤出): 2mm

提示:

① 安装过程中，所有线不能缠绕。

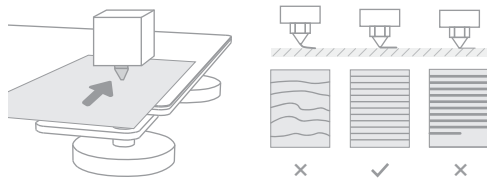
② 更多参数和高级设置，请参考官网: www.creality.com

具体打印参数需要根据不同耗材生产商做调整。

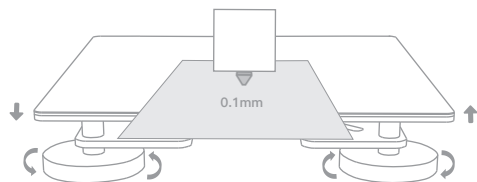
Leveling Tip 调平指引

This paper can be used for manual leveling or auxiliary leveling, thickness 0.1mm.
本页纸可用于手动调平或备用, 厚度0.1mm。

①



②



Due to the differences between models, product images and description only for reference purpose, please see the subject produce. The final explanation rights shall be reserved by ShenZhen Creality 3D Technogy Co., Ltd.

因每款机型不同,实物与图可能有所差异,请以实物为准,最终解释权归深圳市创想三维科技股份有限公司所有。

MADE IN CHINA



SHENZHEN CREALITY 3D TECHNOLOGY CO., LTD.

Add : 18F, JinXiuHongDu Building, Meilong Blvd.,

Longhua Dist., Shenzhen, China 518131

Official Website: www.creality.com Tel: +86 755-8523 4565

E-mail: info@creality.com cs@creality.com

深圳市创想三维科技股份有限公司

深圳市龙华区民治街道新牛社区梅龙大道锦绣鸿都大厦18F

公司网站: www.cxsw3d.com

服务热线: 400 6133 882 0755-8523 4565