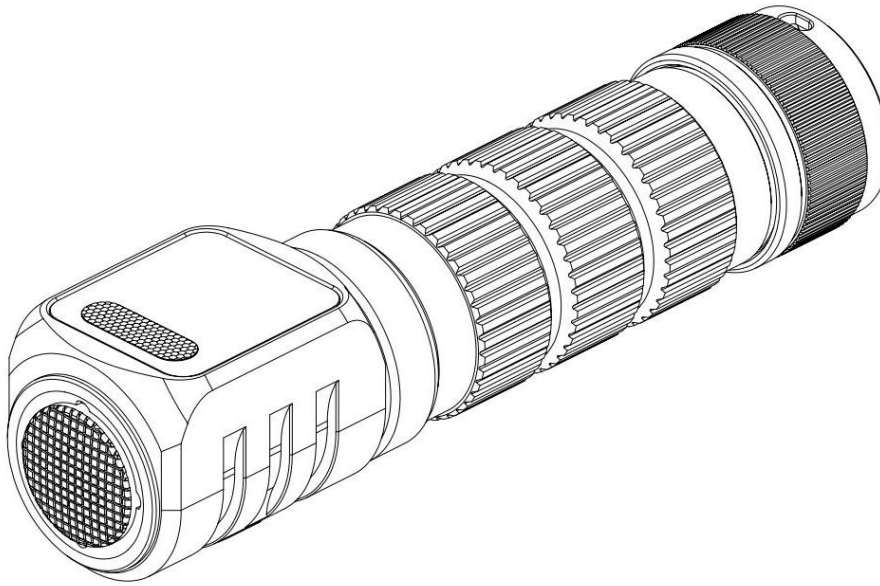


SOFIRN HS42 MANUAL



The Sofirn HS42 is a right-angle headlamp designed with multi-light sources.

ANSI/NEMA FL1 Chart

Spotlight:

| Modes | Moonlight | Low | Medium | High | Turbo | Flashing |
|----------------|-----------|----------|----------|----------|-----------|----------|
| Output | 1lm | 100lm | 400lm | 1000lm | 2000lm | 2000lm |
| Beam Distance | 3m | 51m | 102m | 161m | 215m | - |
| Runtime | 460h | 17h50min | 5h16min | 2h40min | 2h30min | 5h |
| Peak Intensity | 2.5cd | 662.5cd | 2583.3cd | 6450.0cd | 11525.0cd | - |

Floodlight:

| Modes | Moonlight | Low | Medium | High | Turbo | Strobe |
|----------------|-----------|--------|---------|---------|----------|---------|
| Output | 1lm | 30lm | 150lm | 450lm | 1000lm | 1000lm |
| Beam Distance | 3m | 12m | 25m | 41m | 63m | - |
| Runtime | 480h | 40h | 9h30min | 4h20min | 2h50min | 5h40min |
| Peak Intensity | 2.5cd | 33.5cd | 153.3cd | 426.7cd | 1000.0cd | - |

Spotlight & Floodlight:

| Modes | Moonlight | Low | Medium | High | Turbo | Strobe |
|----------------|-----------|---------|----------|----------|----------|---------|
| Output | 1lm | 50lm | 350lm | 900lm | 2100lm | 2100lm |
| Beam Distance | 4m | 17m | 102m | 110m | 176m | - |
| Runtime | 300h | 21h | 5h30min | 3h30min | 2h20min | 4h40min |
| Peak Intensity | 2.5cd | 184.2cd | 1165.8cd | 3004.2cd | 7733.3cd | - |

Red Light:

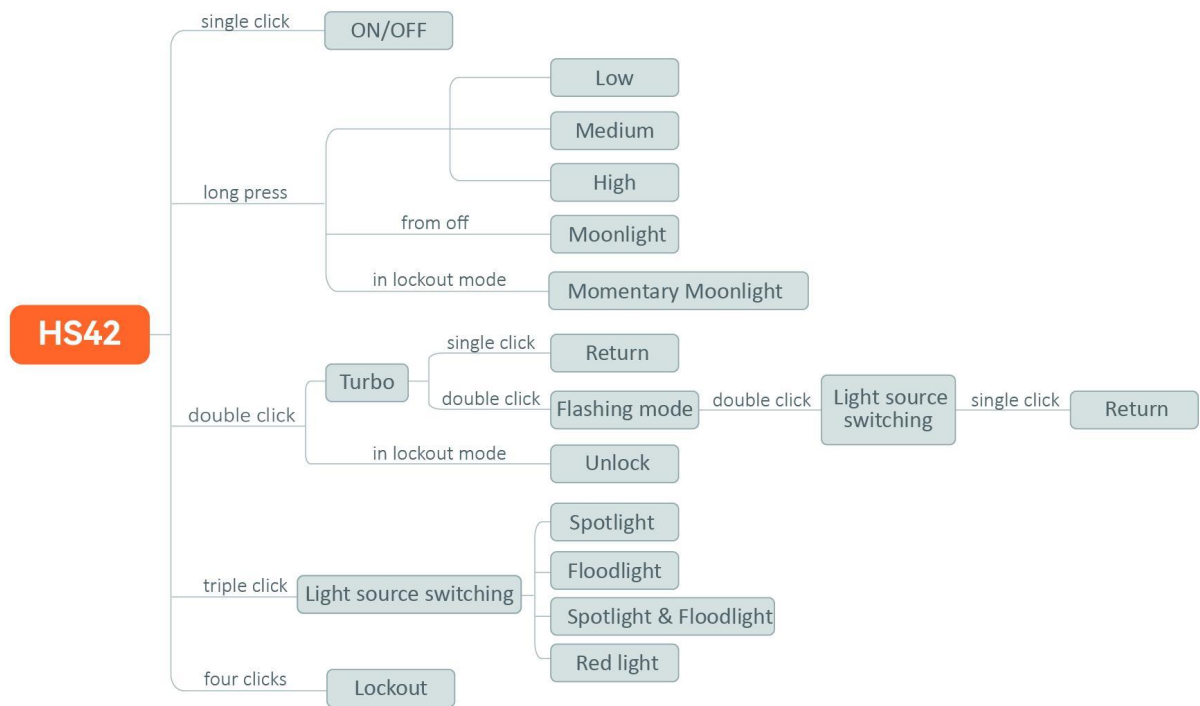
| Modes | Moonlight | Low | Medium | High | Turbo | Strobe |
|---------------|-----------|------|----------|----------|-------|--------|
| Output | 1lm | 2lm | 15lm | 35lm | 65lm | 65lm |
| Beam Distance | - | 3m | 4m | 11m | 15m | - |
| Runtime | 270h | 125h | 25h30min | 10h30min | 5h | 10h |

| | | | | | | |
|-------------------|---|-------|-------|--------|--------|---|
| Peak Intensity | - | 2.5cd | 5.8cd | 29.2cd | 59.2cd | - |
| IMPACT RESISTANCE | 1m / 3.28ft | | | | | |
| WATER RESISTANCE | IP66 (not for diving) | | | | | |
| NOTE | The above mentioned parameters are based on tests according to international flashlight testing standards (ANSI/NEMA FL1) using one 3000mAh 18650 battery. Results may vary with different battery or under different environmental conditions. | | | | | |

Specifications

- ❖ Emitter: High-powered LEDs
- ❖ Battery Option: 1×18650 battery
- ❖ Working Voltage: 3.0V-4.2V
- ❖ Mode Operation: E-switch
- ❖ USB Type-C charging
- ❖ Material: AL6061-T6 aluminium alloy
- ❖ Water Resistance: IP66 waterproof
- ❖ Size: 26mm*27.2mm*112mm
- ❖ Weight: 71g (without battery)
- ❖ Reverse polarity protection from improper battery installation.
- ❖ Advanced Temperature Regulation (ATR) technology: In Turbo or High mode, the flashlight heats up easily. To prevent over-heating, HS42 automatically reduces the current output when the temperature reaches 55 degrees.
- ❖ Low Voltage Warning: When the battery voltage is lower than 3.15V, the red indicator flashes for 5 seconds, indicating the remaining battery is poor. The red indicator keeps flashing when the battery voltage is lower than 3.0V, reminding you of the critical battery status. Please get it recharged or replaced in time!
- ❖ It has a magnetic tailcap.

General Operation



When in Lockout mode, nothing happens with any operations, but the light flashes twice to remind you. The light can be automatically unlocked when it gets recharged.

Battery Level Indicator

After turning on the HS42, the indicator will display the power status for 5 seconds.

Green Constant On = 70%-100%

Red Constant On = 30%-70%

Red Flashes = 1%-30%

Light Indicator When Charging

Red = Charging

Green = Fully Charged

Only Medium mode is available while charging.

Contact

Please contact us for a refund or replacement, if your flashlight has a problem within the warranty period.

Sofirn Limited:

Mail Contact: us@sofirnlight.com; eu@sofirnlight.com

Website Contact: service@sofirnlight.com

Address: 401/501, Building 13, 1# Jingdong Road, Fenggang, Dongguan City, Guangdong Province, China