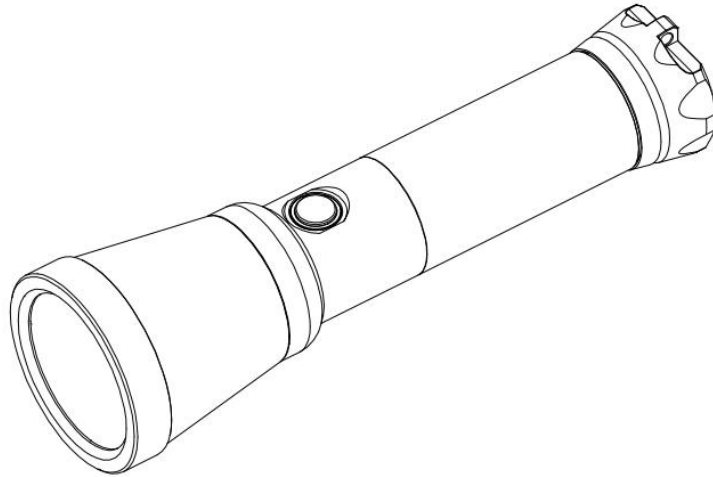


Sofirn SC03 Manual



Thank you for purchasing this Sofirn product.

www.sofirnlight.com customer support: sofirnlight@gmail.com

Amazon.us customer support: us@sofirnlight.com

Amazon.eu customer support: eu@sofirnlight.com

Sofirn SC03 is a 2-in-1 light that can be used as a flashlight and a lantern. The front light boasts an incredible max output of 2,000 lumens and a 508-meter beam distance. The side light with 360-degree lighting provides bright light in every direction. The light offers great convenience and ease of use making it a great lantern-flashlight combo available. SC03 is excellent for camping, power outages, or lighting up dim spaces at night.

Specifications

- ❖ Super bright and powerful LEDs
- ❖ Working Voltage: 3V - 4.2V
- ❖ Battery: 1x 21700 battery
- ❖ Dimension: 149mm (length) × 44.5mm (head diameter)
- ❖ Weight: 135g (without a battery)
- ❖ Flashlight body: 6061-T6 aluminum alloy and PC
- ❖ Orange peel reflector
- ❖ Standby electrical current: $\leq 20\mu\text{A}$
- ❖ Charging specification: 5V/2.1A
- ❖ Reverse charging specification: 5V/2.4A

- ❖ IPX-8 Water-resistant
- ❖ USB Type-C Charging
- ❖ Spot light angle: 11.9-degree, flood light angle: 63.5-degree
- ❖ LVP: while the flashlight is on, it turns off automatically when battery voltage is lower than 2.8V.
- ❖ Reverse polarity protection from improper battery installation.
- ❖ If the battery doesn't have enough power when turn on, the LED indicator will flash red to signal critical power.

ANSI/NEMA FL1 Chart

	Front Light Mode					Side Light Mode				
Mode	Low	Medium	High	Turbo	Strobe	Low	Medium	High	Turbo	Strobe
Luminous Flux	10lm	350lm	1000lm	2000lm	2000lm	2lm	50lm	200lm	550lm	550lm
Runtime	150h	6h	3.25h	2.75h	-	270h	20h	4h	2.75h	-
Beam Distance	36m	209m	359m	508m	-	-	6m	10m	17m	-
Peak Intensity	328cd	10958cd	32175cd	64417cd	-	-	7.5cd	23cd	62cd	-
Impact Resistant	1m / 3.28ft									
Water Resistant	IPX-8 (not for diving)									
Notes	The above mentioned parameters are based on tests according to international flashlight testing standards (ANSI/NEMA FL1) using one 4000mAh 21700 battery. Results may vary with different battery or under different environmental conditions.									

Power Indicator

The battery level indicator shows the power status for 5 seconds after you turn the flashlight on.

Green = remaining battery level is good. (70-100%)

Red = remaining battery power is poor. (30%-69%)

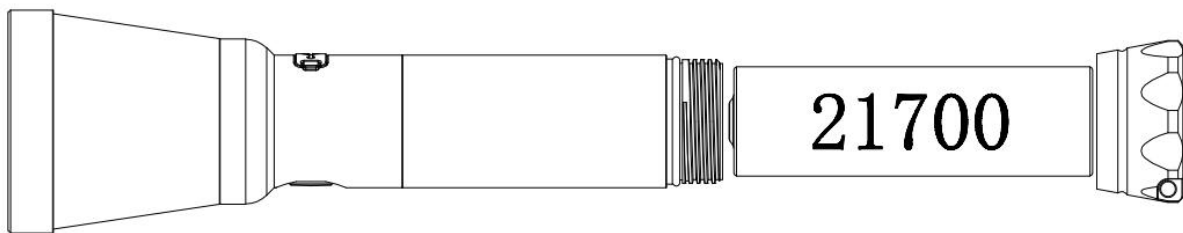
Flashing Red = critical battery level, please replace or recharge the light as soon as possible.

Battery Installation

Before first use, please unscrew the tail cap and remove the insulating sticker. If the battery needs to be replaced, please make sure that the positive end of the new battery faces the light's head when you put the battery in.

Battery Specifications

Battery Type	Dimension & Quantity
Rechargeable lithium-ion battery	21700 x 1



Charging

SC03 features a USB-C charging port for convenient charging. Please connect it with the included USB-A to USB-C cable and use a USB power adapter (not included). The flashing red indicator means charging, while the green indicator means charging completed. The brightness of the button indicator will cycle through low-medium while charging. When the flashlight acts as a portable charger, it does not show any LED indicator while charging your devices. A flashing Red LED means the battery is low. You can only use the Low-Medium modes of the light when reverse charging. The brightness of the button indicator will cycle through low-medium while reverse charging.

Operation Instructions

ON/OFF: Long press the switch to turn the light on or off. When the light is turned on, it will return to the previously used mode.

CHECK BATTERY POWER: While the light is off, single-click the switch to check the remaining battery power. Power indicator will turn on for 5 seconds.

SWITCH BETWEEN FRONT LIGHT MODE AND SIDE LIGHT MODE: While the light is on, double-click the switch to cycle front light mode-side light mode.

CHANGE BRIGHTNESS LEVEL: While the light is on, single-click the switch to cycle Low-Medium-High-Turbo.

DIRECT ACCESS TO STROBE MODE: When the flashlight is on any mode settings except lock mode, quickly triple-click the switch to enter into Strobe.

LOCK/UNLOCK: When the flashlight is off, double-click the switch to lock the flashlight. LED blinks twice to signal that the light is in lock mode. Another double click on the switch to unlock it returning to previously used mode. You can only use Low mode by holding the switch while being locked. Charging the flashlight will disable the lock mode. LED will blink to indicate the flashlight is in lock mode when you try other operations.

AUTOMATIC LOCK: When the flashlight turns off after 1 minute, it will automatically enter lock mode.

Safety Instructions

- ❖ SC03 is a powerful light. Never point it directly at a person, animal or moving vehicles. Doing so could cause retinal damage. Please do not allow children to play with it. Strobe mode may cause seizure in persons with photosensitive epilepsy.
- ❖ Operating SC03 for a long time in high-powered modes will quickly heat up the light. This is normal.
- ❖ Pay close attention to the proper installation of the battery. Always check that the positive end of the battery faces the light's head.
- ❖ Please unscrew the tailcap half a turn to avoid unwanted activation during transport. It also prevents the battery from draining while the flashlight is in standby.
- ❖ Avoid hitting or dropping the light.

Troubleshooting and Maintenance

- ❖ Disassembling the sealed head can damage the light and voids the warranty.
- ❖ Sofirn, Ltd. recommends using high-quality brand batteries. Damage by battery leakage voids the warranty.
- ❖ Remove the battery if the flashlight will not be used for an extended period of time.
- ❖ To prevent self-discharge or accidental activation during storage or transportation, unscrew the tailcap by half a turn or remove the battery.
- ❖ Every 6 months threads should be wiped with a clean cloth followed by a thin layer of silicone grease.
- ❖ To maintain a proper level of waterproofness, replace worn-out o-rings with an approved spare.
- ❖ Troubleshooting: Clean battery contacts regularly as dirty contacts may impair the performance of the flashlight. If you experience problems (flicker, shine intermittently or failure turn on) the following root causes and solutions should be tried:

Reason A: The battery needs a replacement.

Solution: Replace the battery with an approved type of a fully charged battery.

Reason B: Threads, PCB board contact or other contacts are dirty.

Solutions: Please clean the contact points with a cotton swab soaked in rubbing alcohol.

Reason C: The flashlight will not turn on upon first use.

Solution: Please do not forget to remove the insulation sticker from the battery on first use.

If the above methods do not work please refer to the warranty policy before contacting your authorized distributor.

Sofirn Limited:

Tel: +86-755-23440047

Fax: +86-755-23440141

Web: www.sofirnlight.com

E-mail: us@sofirnlight.com eu@sofirnlight.com wholesale@sofirn.cn

Please contact us if you have any questions.

If your product is defective please contact us for replacement within warranty period.

Manufacturer: Shenzhenshi Jinba Technology Co.,Ltd

Address: 1/F to 9/F, 1st Building, NO.110 Tenglong Industrial Center, Guanlan Street, Longhua New District, Shenzhen 518000, China