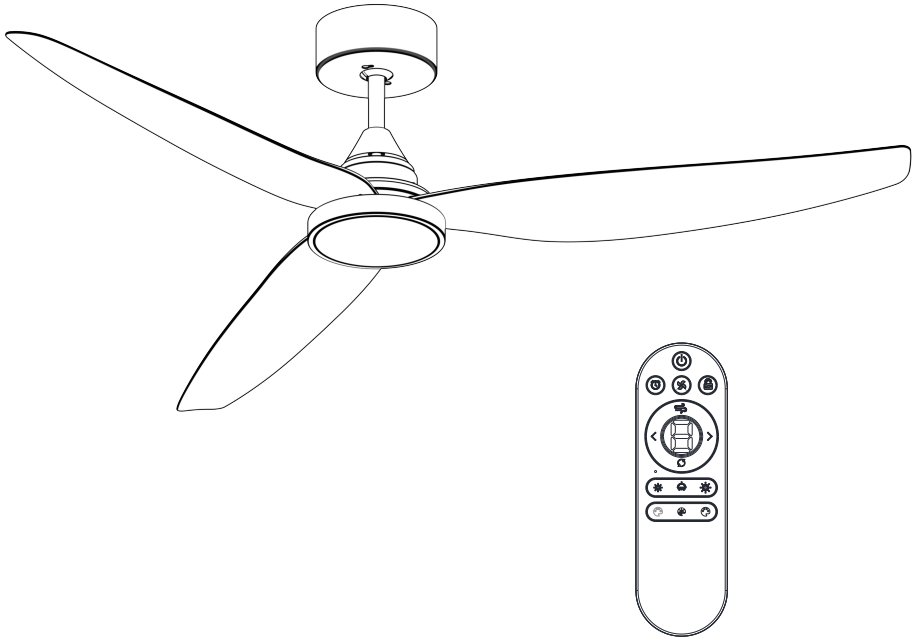




Installation Manual | Version 2.0



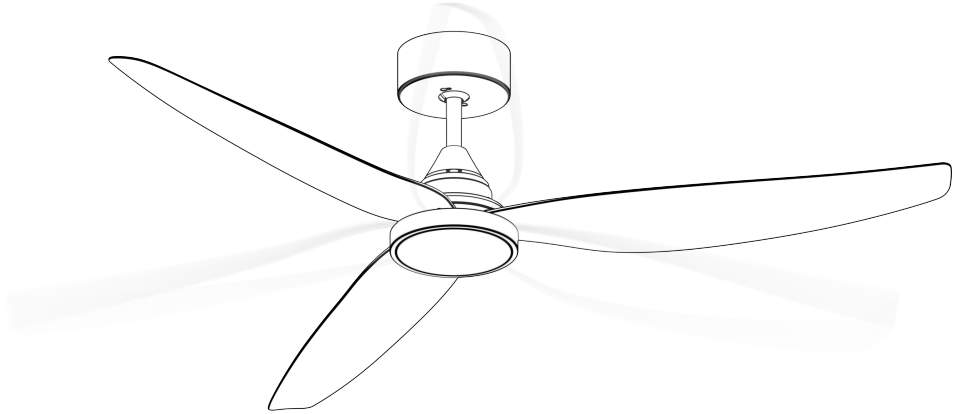
# Ceiling Fan with Light

Applicable Models:

CFL-0003-BK / CFL-0003-BG

CFL-0003-WH / CFL-0003-WG

# Redefine Light and Air



At GreenEver, we blend illumination and airflow into perfect harmony. Designed for modern living, our fans deliver silent comfort and timeless style — creating a serene atmosphere in any room.

**GreenEver**

---

## Installation Video Guide

Scan the QR code for a step-by-step visual tutorial.



# Table of Contents

---

|                                  |    |
|----------------------------------|----|
| Introduction .....               | 01 |
| Safety Precautions .....         | 02 |
| Product Overview .....           | 04 |
| Part List .....                  | 05 |
| Installation Instructions .....  | 06 |
| Installation Steps .....         | 08 |
| Fan Operation Instructions ..... | 19 |
| Kindly Reminders .....           | 20 |
| Troubleshooting .....            | 21 |
| Warranty Policy .....            | 24 |

# Introduction

---

## CONGRATULATIONS ON YOUR PURCHASE




Thank you for choosing our ceiling fan. Please read this manual carefully before assembling and using the product to ensure safe and proper operation.

## SAFETY NOTICES

### WARNING / CAUTIONA

**WARNING/CAUTION** notice denotes a hazard. It calls attention to installation procedure, operating procedure, maintenance procedure, or the like, that if not correctly performed or adhered to, could result in damage to this appliance, personal injury or death. Do not proceed beyond a WARNING/CAUTION notice until the indicated conditions are fully understood and met.

## SAFETY SYMBOLS

|   |                     |
|---|---------------------|
|   | Alternating current |
|  | Protective earth    |
|  | Warning/Caution     |

# Safety Precautions

---

Please observe the following general safety precautions carefully before and during all phases of handling, installation, removal, operation and maintenance of this product. Please read and follow all safety precautions carefully before, during, and after installation and operation. Failure to do so may result in injury, damage, or voided warranty.

## SAFETY WARNING

- 1. Important: This fan must be installed by a licensed and qualified electrician.**
2. Read all instructions and safety information. Review assembly diagrams provided before installing your new ceiling fan.
3. This appliance is not intended for use by persons (including children) with reduced physical, sensory or mental capabilities, or lack of experience and knowledge, unless they have been given supervision or instruction concerning use of the appliance by a person responsible for their safety.
4. Young children should be supervised to ensure that they do not play with the appliance.
5. All electrical works must only be undertaken after disconnection of the power by removing fuses or turning off the circuit breaker, to ensure all pole isolation of the electrical supply.
6. Do not use outdoors where it could be exposed to water or moisture.
7. This manual is not intended to instruct or assist untrained or unqualified persons to install this ceiling fan.
8. It is the responsibility of qualified, licensed installer and user to apply common sense and care at all times during installation and operation.

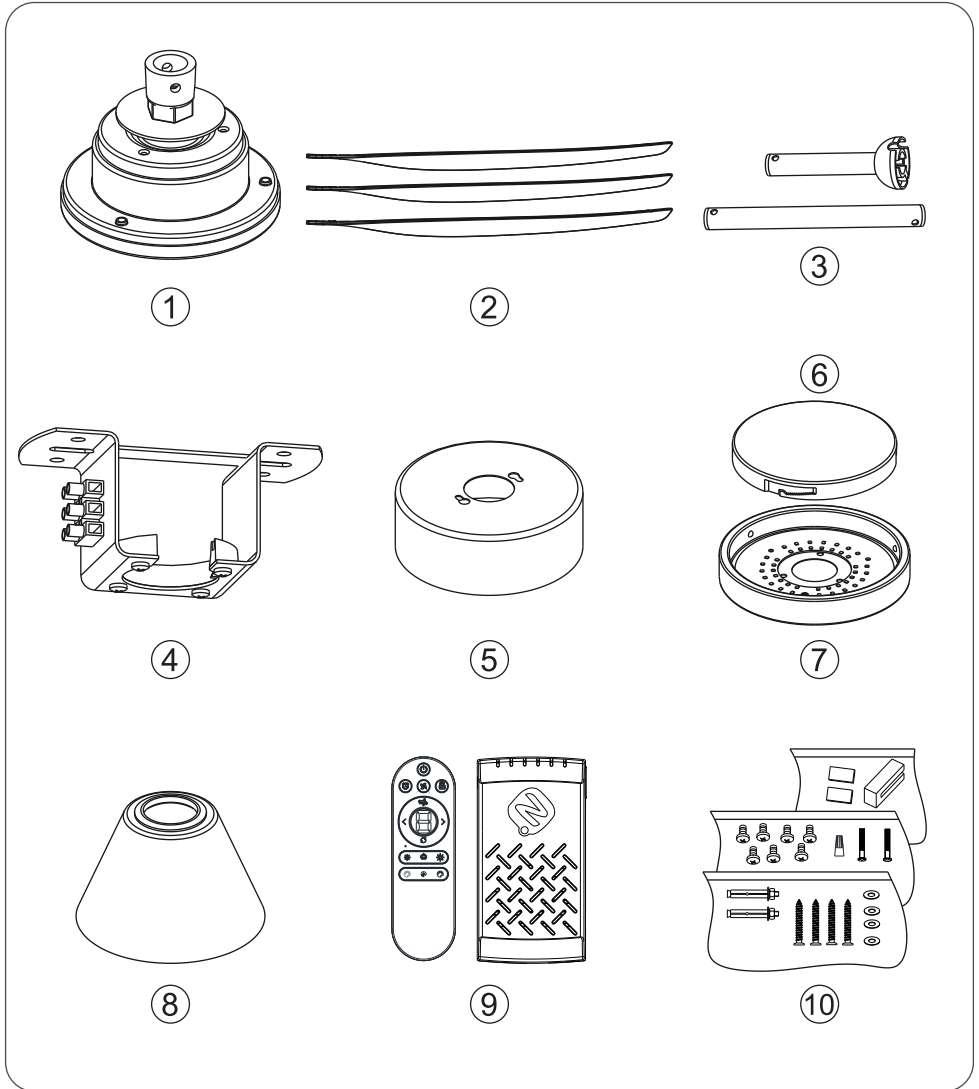
# Safety Precautions

---

## HOW TO CHOOSE A PROPER LOCATION FOR THE CEILING FAN

1. **According to safety regulations, the lowest point of the fan blade must be at least 2.3 metres (7.5 feet) from the floor.**
2. For fans installed in enclosed outdoor areas, the fan must be installed at least 1.5m from the perimeter of roof/eaves of the enclosure to protect the product from direct or direct or indirect exposure to rain or sunlight.
3. The chosen location for the fan must not allow the rotating blades to come into contact with any object.
4. Please check carefully and make sure that ceiling joists are strong enough and of adequate size to support a weight of approximately 78 lbs.
5. To reduce the risk of fire, electrical shock or personal injury, please make sure that the fan mounting bracket is directly supported from the building structure. Do not mount to an outlet box.
6. The mounting plate must be firmly screwed to a load bearing building structure eg. a concrete must be securely nailed or screwed between the beams.
7. Attach fan blades after the fan motor housing is installed and properly secured. Keep the fan motor and fan blades in original package until it is ready to be installed.
8. Check and confirm, after the fan is completely installed, that all connections are proper and secure to prevent the fan from falling or causing property damages or personal injury.
9. Take care not to bend or damage the motor Drive Shaft or Fan Blades when handling or installing them. If such defect is noticed, please contact the Customer Service before installation of the ceiling fan.
10. Fan, light kit and mounting plate must be earthed.
11. Use of an unapproved remote control voids the warranty. Only use our remote control.
12. Do not remove the fan from the ceiling after installation.
13. Make sure electricity is turned off at the main power box before commencing work. Turn off the power by removing fuse or turning off circuit breaker before installing the fan and replacing led light.

# Product Overview



# Parts List

---

| No. | Name   | Qty.  |
|-----|--|-------|
| ①   | Motor Assembly   | 1     |
| ②   | Blades   | 3     |
| ③   | Downrod<br>(5 inches and 10 inches, 5 inches one with hanger ball) | 1 Set |
| ④   | Mounting Bracket   | 1     |
| ⑤   | Canopy   | 1     |
| ⑥   | Light Shade  | 1     |
| ⑦   | LED Light Kit  | 1     |
| ⑧   | Upper Cover  | 1     |
| ⑨   | Remote Set   | 1     |
| ⑩   | Screws and Washers Package   | 1     |

---

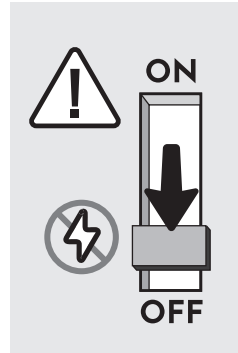
**Note:** Open the original carton and verify the following items. If there are any missing or damage items, contact customer service. Do not throw away the carton or other packaging material as it may be needed for warranty replacement or repair.

# Installation Instructions

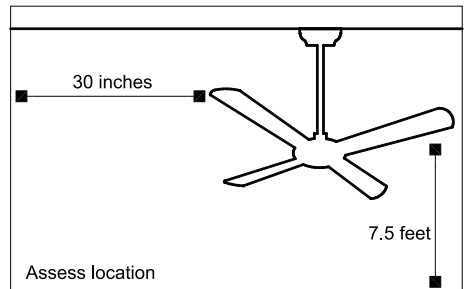
## CAUTION

### Pre-Installation Notes

- Ensure the power is turned off at the main circuit breaker before installation. Turn off the power by removing fuse or turning off circuit breaker before installing the fan and replacing the lamps.



- The lowest point on the fan blade must be at least 2.3 (7.5ft) metres from the floor.
- Make sure that ceiling joists are strong enough and of adequate size to support the weight of the fan of about 78 lbs.

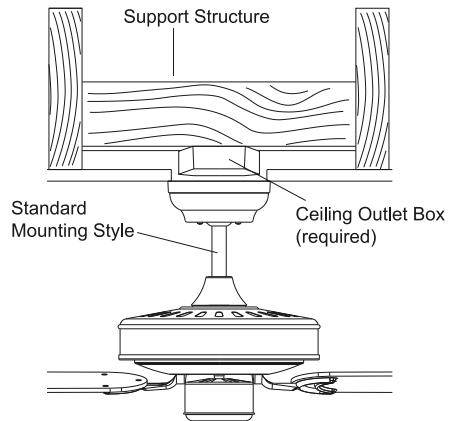


# Installation Instructions

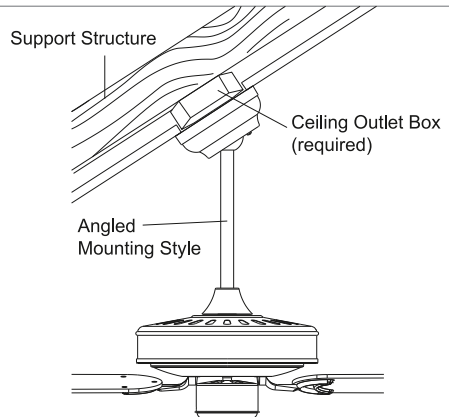
## ⚠ CAUTION

### Mounting Instructions

- Use standard mounting or low-profile mounting to hang the fan from a flat ceiling.



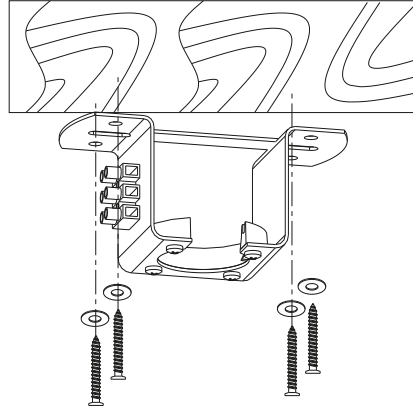
- **Maximum tilting angle 20°**
- Use Angled mounting to hang the fan from a vaulted or angled ceiling. For angled ceilings, point the mounting bracket opening toward peak.



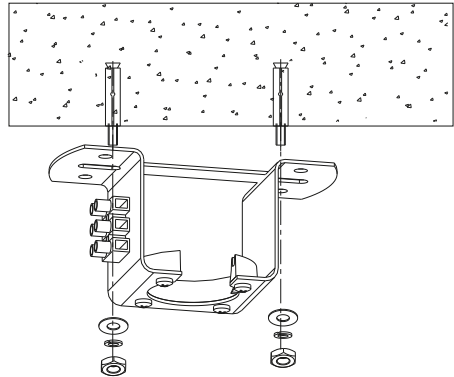
# Installation Steps

## Part 1 Mounting Bracket Fixation

- Secure mounting bracket to ceiling joist or suitable piece of timber inserted between the ceiling joists. The mounting bracket should be attached with four wood screws and washers supplied.



- Concrete ceiling, According to the length of expansion screws, bore holes by percussive drills with Ø8mm drill. After that, fix the mounting bracket on ceiling by expansion screws.



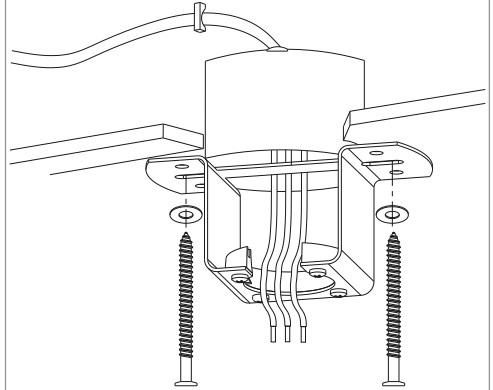
# Installation Steps

---

## Part 1 Mounting Bracket Fixation

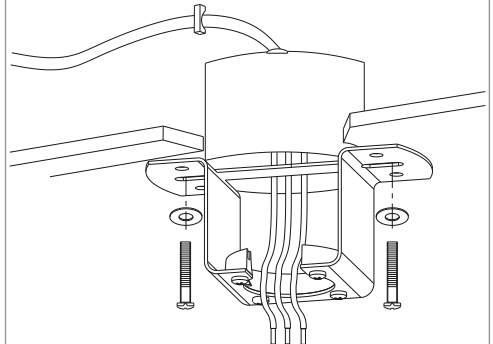
- **USE WOOD SCREW**

- (Included) when securing to support structure with approved electrical outlet box. Drill 9/64" pilot holes in support structure to aid in securing ceiling bracket with hardware found in the screw bag.



- **USE MACHINE SCREW**

- (Provided with outlet box) when securing to existing ceiling fan-rated outlet box. Make sure it is securely installed and is acceptable for fan support of 31.8kg (78 lbs) or less.

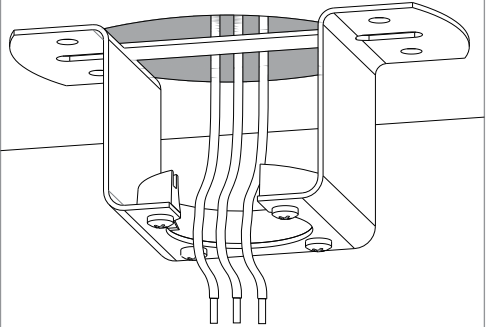


# Installation Steps

---

## Part 1 Mounting Bracket Fixation

- If you are installing the fan on an existing ceiling electrical junction box, please ensure it is rated for fan use. Mount the Hanger Bracket to the junction box as shown with junction box bolts.



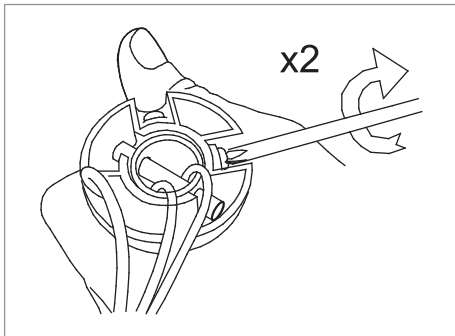
# Installation Steps

## Part 2 Downrod Selection and Assembly

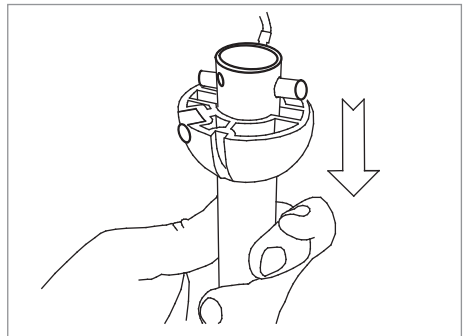
### Downrod Selection

|   |  |
|---|--|
| 1 | Select the appropriate downrod according to the height of ceiling.   |
| 2 | This fan attach 5 & 10 inches downrod, If it does not fit your installation requirements, please contact our company to purchase other size. |

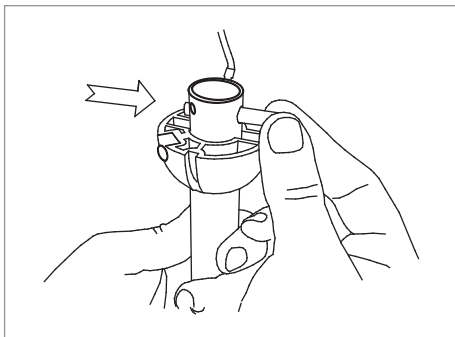
### Disassembly and Assembly of Downrod



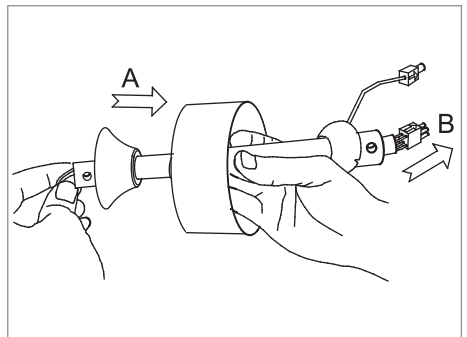
1. Remove the two bolts of the downrod.



2. Detach the downrod connection part downward.



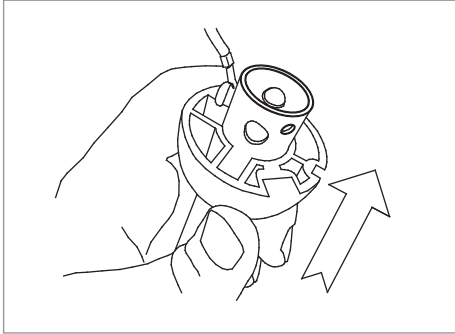
3. Take off the locking pin, bolt and two fixing screws from coupler.



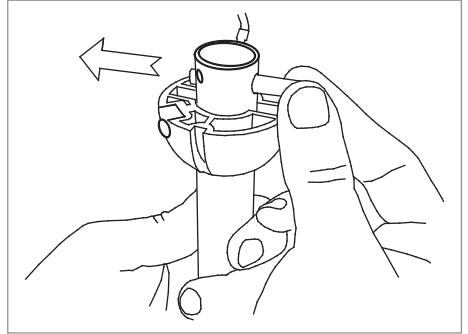
4. Let the downrod across the canopy, Magnet cover and coupler cover in the right direction, then put the power cord through downrod.

# Installation Steps

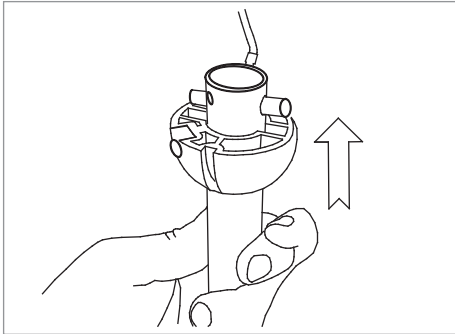
## Disassembly and Assembly of Downrod



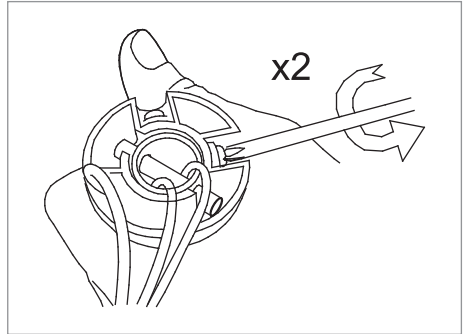
5. Put the downrod into coupler; insert the bolt and locking pin. Lock the fixing screw and cover the coupler with coupling cover.



6. Re-assemble the hanger-ball to the downrod, align the installation position.



7. Push the hanger-ball upward to ensure it is firmly connected to the downrod.

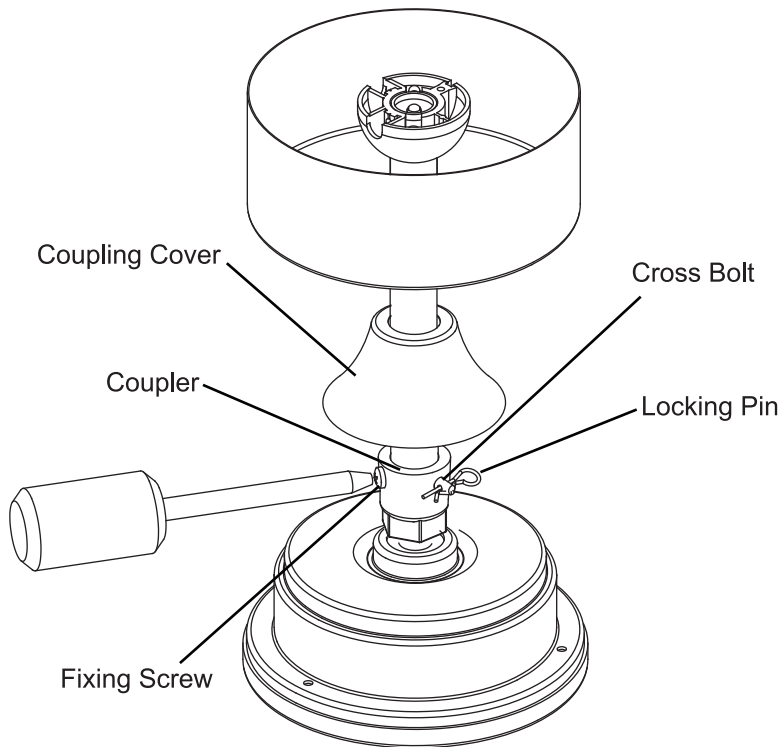


8. Tighten the two fixing bolts to complete the assembly of the hanger-ball and downrod.

# Installation Steps

## Part 3 Motor-Downrod Connection

- Feed the fan supply wire(from fan motor housing) through the downrod, canopy and coupling cover.

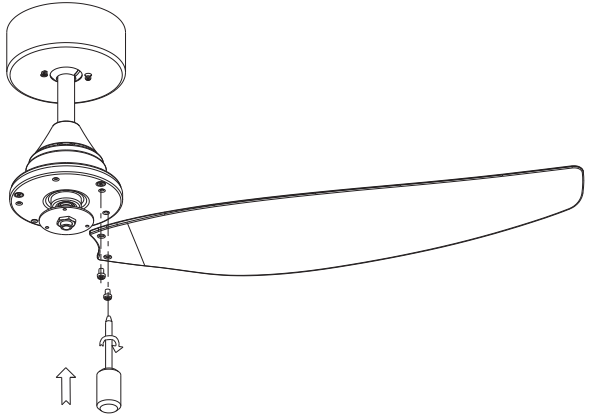


- **Attach the downrod to fan motor assembly by the following method.**
  - A. Remove the insert locking pin from cross bolt and pull the cross bolt out;
  - B. Unscrew the fixing screws;
  - C. Push the downrod into coupler on the top of motor and align the holes on the downrod;
  - D. Insert the cross bolt back and lock it with the locking pin;
  - E. Fasten the fixing screws.

# Installation Steps

---

## Part 4 Blade Installation

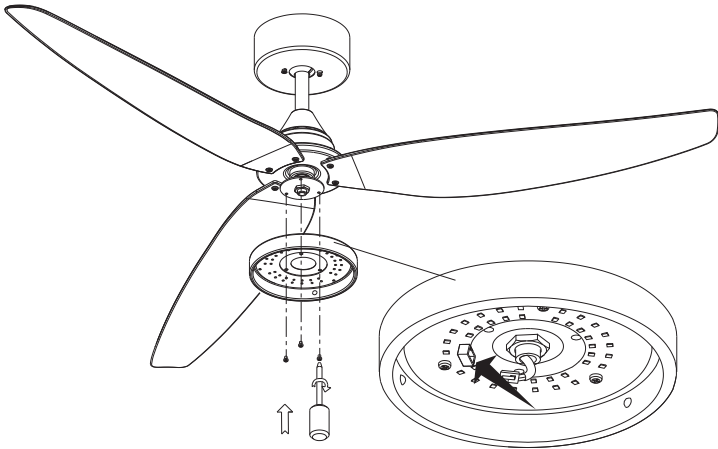


- Position each blade on the motor assembly and use the screws and washers provided to fix them.  
Caution: tighten the screws carefully to avoid damaging the blades, but be sure to tighten properly to prevent excessive vibration during start-up.

# Installation Steps

---

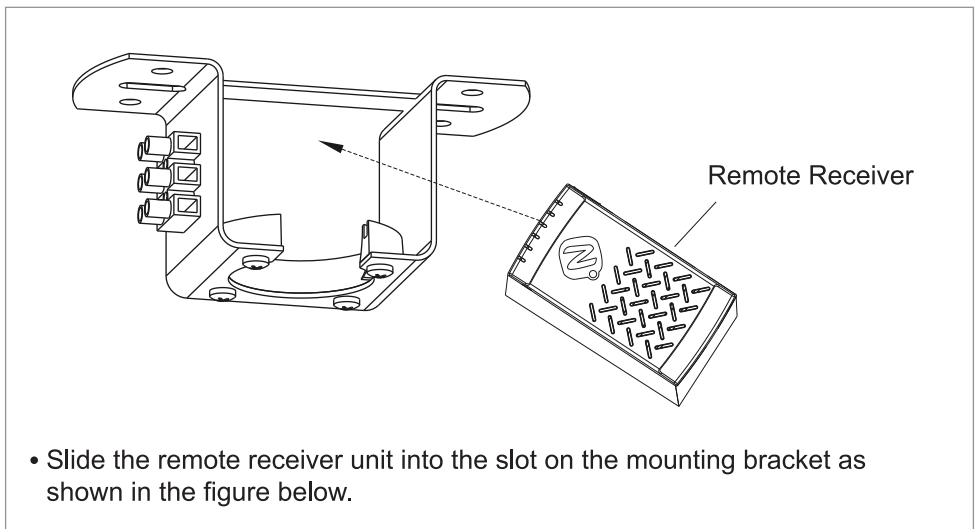
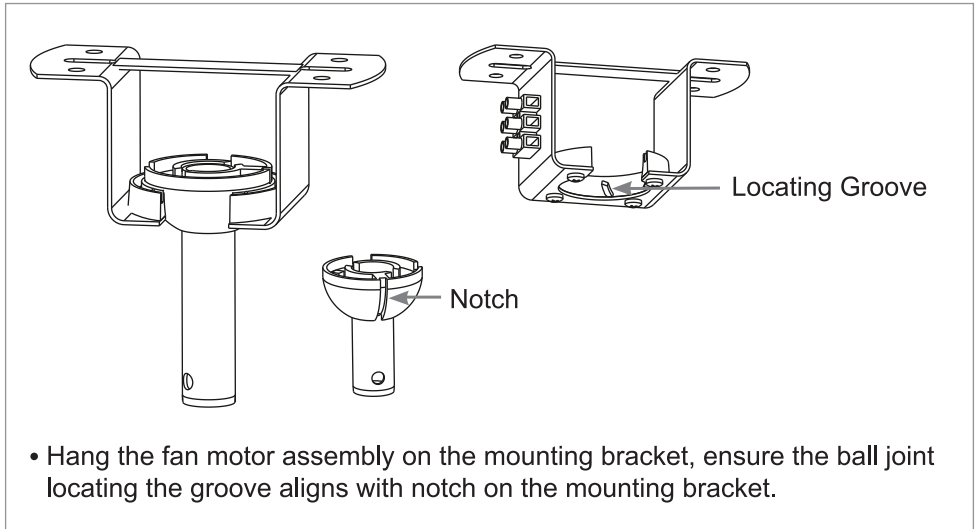
## Part 5 Light Kit Installation



- Install the light kit onto the motor assembly flange and secure it with three screws. Connect the LED connector of the fan to the light kit connector. Then align the grooves on the lampshade with the tabs on the light plate and rotate the lampshade clockwise until it locks firmly in place.

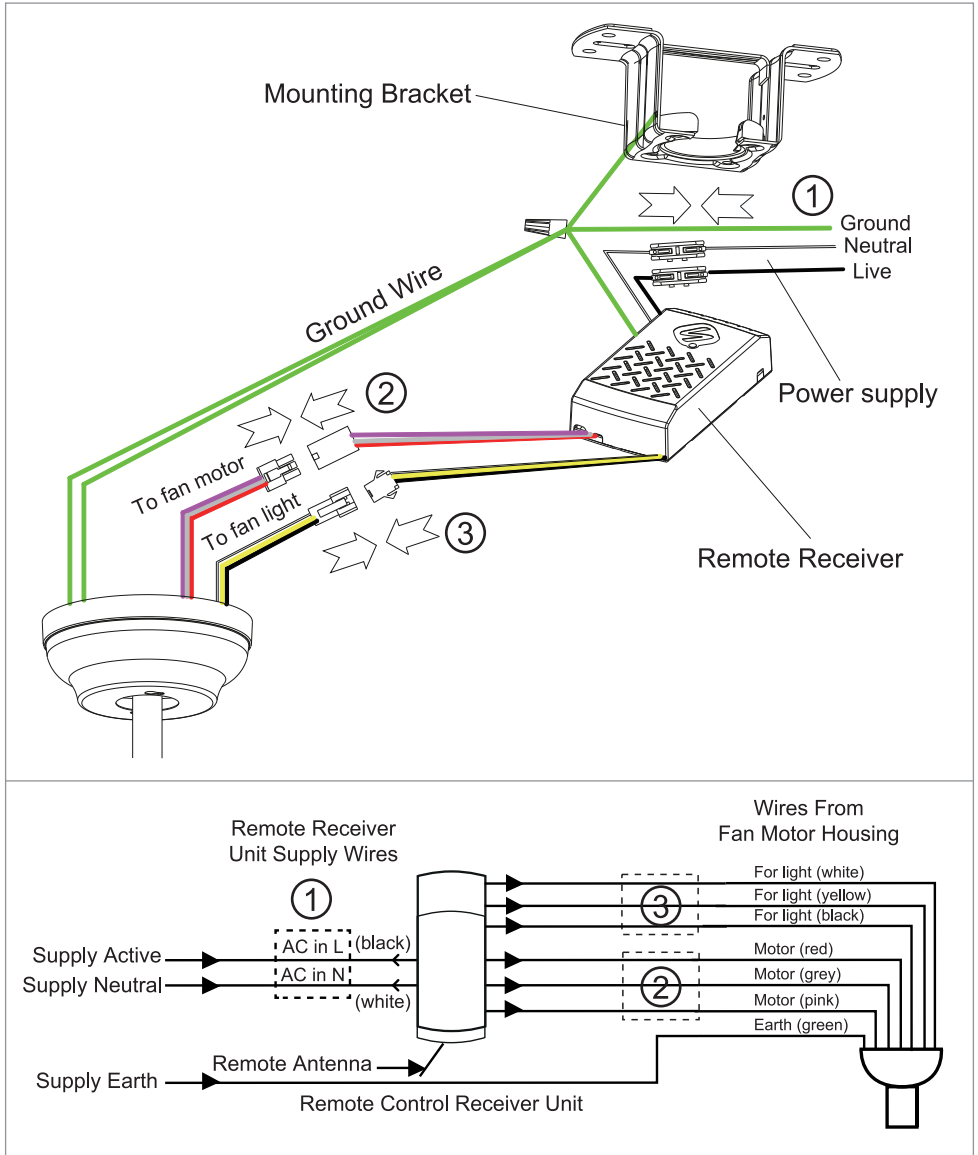
# Installation Steps

## Part 6 Fan Mounting and Wiring Commissioning Fan Mounting



# Installation Steps

## Wiring Diagram

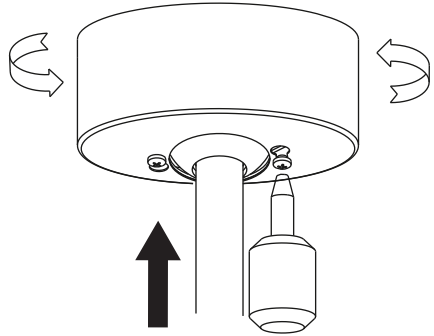


# Installation Steps

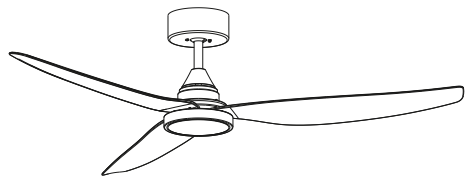
---

## Final Operation Step

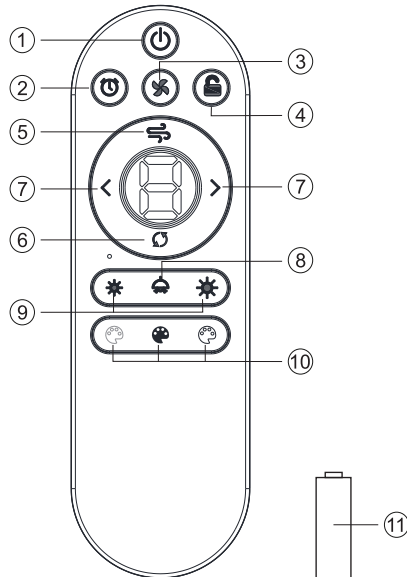
- Unscrew the 2 top canopy fixing screw halfway, attach it to the bottom of the mounting bracket. turn the canopy fixing screw lock into position and then fasten the screw.



- After performing the above step, the installation of your ceiling fan with light is now complete. Ensure all components are securely fastened, and perform a safety check before switching on the power.



# Fan Operation Instructions



- ① Turn OFF the Fan and the light.
- ② Set up the timer for the Fan. (when the Fan is on.)
- ③ Turn OFF/ON the Fan.
- ④ Enter/ Exit CHILD-LOCK mode. Long press 5s
- ⑤ Activate the Natural wind MODE. (when the Fan is on.)
- ⑥ Long press 2s for switch the Fan to forward or reverse. (when the Fan is on.)
- ⑦ Adjust the fan's speed. (when the Fan is on.)
- ⑧ Turn ON/OFF the light. Long press 3s for pairing code to the receiver.
- ⑨ Adjust brightness for the light. (when the light is on.)
- ⑩ Adjust color temperature for the light. (when light is on.)
- ⑪ BATTERY: 1.5V x 2 AAA (LR03) batteries.

**Note:** Using an unapproved remote control will void the warranty. Therefore do not control the operation of this fan from any controller that is not approved by our fan. Do not use solid state controllers.

# Kindly Reminders

---

1. Press and hold the transmitter's Pair code "Lamp ON/OFF" while the receiver is powering on within 5 seconds. After hearing "DIDI" for three long rings, the learning code pairing is successful and can work normally. If not, please turn off the power and restart the above operation. (Note: Do not accept learning code pairing after powering for more than 5 seconds.)
2. When the emitter cannot control the receiver, please check the battery switch touching normally or not, correction of the positive and negative, full or empty of the power.
3. Low voltage of battery will affect the sensitivity of the emitter and the signal reception accordingly (the indicated light will flash out its warning when the battery get low voltage), must replace if the battery is getting low voltage.
4. Please take out the battery from the emitter when leaving unused for long time.
5. When installing the fan, the fan ceiling cover don't press the antenna (or other wire), it is easy to breakdown the wire and short-circuited.
6. Supporting 36W lighting power at maximum.  
**Note: please connect the ground wire correctly, otherwise it may cause the light micro-light or flash.**

NOTE 1: A beep will be heard when a function is activated.

NOTE 2: The motor does not react instantaneously to changes made by the handset. Be patient and allow the motor to process the instruction when changing functions.

NOTE 3: The remote control includes a memory function. this function records the status when power has been disconnected to allow resumption when power is restored.

NOTE 4: Remove the battery from the transmitter handset when left unused for extended periods.

NOTE 5: To change the direction of rotation for S/W function the fan needs to be turned OFF & ON for setting to take effect.

NOTE 6: Only 1 remote can be paired with a given fan at any time.

NOTE 7: If the power supply is turned OFF and back ON the light will come on automatically, use the remote to turn the light OFF.

# Troubleshooting

| PROBLEM                                     | POSSIBLE CAUSE   | CORRECTIVE ACTION  |
|---|--|--|
| Fan Will Not Start                          | <ol style="list-style-type: none"> <li>1. Mains circuit breakers are in the OFF position.</li> <li>2. Isolation wall switch is in the OFF position.</li> <li>3. Batteries in the remote handset (if any) are in poor condition.</li> <li>4. Transmitter and receiver pairing process is incomplete.</li> <li>5. Live, neutral, ground and light (if any) wires are wired incorrectly.</li> <li>6. Wire connections at wall switch, wire connector and/or terminal block are loosened.</li> </ol> | <ol style="list-style-type: none"> <li>1. Check that mains circuit breakers are in the ON position.</li> <li>2. Check that isolation wall switch is in the ON position.</li> <li>3. Check that batteries in the remote handset (if any) are in good condition.</li> <li>4. Carry out and complete transmitter and receiver pairing process.</li> <li>5. Check wires from isolation wall switch, remote receiver (if any) through to fan are all wired correctly in accordance with wiring diagram.</li> <li>6. Check all wire connections at wall switch, wire connector and/or terminal block are secured.</li> </ol> |
| Fan Sounds Noisy                            | <ol style="list-style-type: none"> <li>1. Light fitting is loose (version with light).</li> <li>2. Screws on fan blades are loose.</li> <li>3. Screws in the hanging bracket and covering plate are loose.</li> </ol>  | <ol style="list-style-type: none"> <li>1. Fully tighten light fitting (version with light).</li> <li>2. Re-tighten all screws on fan blades (do not over tighten).</li> <li>3. Re-tighten all screws in the hanging bracket and covering plate.</li> </ol>   |
| Mechanical Noise                            | <ol style="list-style-type: none"> <li>1. Fan hasn't completed settling in period.</li> </ol>  | <ol style="list-style-type: none"> <li>1. Let the fan run for about 8 hours for settling in period.</li> </ol>   |
| Fan Rotates But Does Not Circulate Much Air | <ol style="list-style-type: none"> <li>1. The fan is running in reverse (for fans with reverse running option).</li> <li>2. The distance from the ceiling to the fan blades is too small.</li> <li>3. The room contains items which obstruct the air flow.</li> <li>4. The fan is too small for the size of the room.</li> </ol>   | <ol style="list-style-type: none"> <li>1. Adjust the fan's rotation direction (for fans with reverse running option).</li> <li>2. Check and ensure the distance from the ceiling to the fan blades is appropriate.</li> <li>3. Remove items that obstruct the air flow.</li> <li>4. Consider replacing with a larger fan suitable for the room size.</li> </ol>  |

# Troubleshooting

| PROBLEM     | POSSIBLE CAUSE   | CORRECTIVE ACTION   |
|-------------|--|---|
| Fan Wobbles | <ol style="list-style-type: none"> <li>1. Blade brackets are loose.</li> <li>2. Blade level is inconsistent (measurements from each blade tip to the ceiling vary).</li> <li>3. Blade separation is inconsistent (measurements from blade tip to blade tip vary).</li> </ol> | <ol style="list-style-type: none"> <li>1. Check that all blade brackets are tightened securely.</li> <li>2. Measure the distance from each blade tip to the ceiling. If inconsistent, adjust the brackets.</li> <li>3. Measure the distance from blade tip to blade tip. If varying, loosen screws connecting blades and brackets (one at a time), shift the blade to proper position and re-tighten screws.</li> </ol> |

## IMPORTANT FACTS

All electric motors, including fan motors make some noise and may feel hot to touch, this is not a fault. Ceiling fans tend to move during operation as they are not generally rigid-mounted. Rigid mounted ceiling fans generate excessive vibration and stress on their mountings.

Movement of a couple of centimeters is quite normal and does not suggest the fan will fall down.

Please note - all ceiling fans are not the same, even in the same model some may move more or less than others.

Fan lights can rattle, if they are not supplied with the fan. They are not covered by warranty.

# Troubleshooting

---

## Fan Operation

A ceiling fan is an environmentally smart choice when it comes to cooling as well as helping to warm your room. You should see a reduction in both cooling and heating costs by regular use of your fans. Do not hesitate to use your fans in both summer and winter months.

In summer fans should be set to spin in anti clockwise direction blowing down cool breeze.

In winter, fan should be set to spin in, clockwise direction so that an upward airflow will push warm air off the ceiling and circulate it downwards into the living areas. In winter months use the fan on a lower speed than in summer.

## Normal Wear And Tear

Threaded components working slightly loose, or blade carriers becoming slightly bent due to vigorous cleaning or bumping can cause extra wobble and noise. This is not covered under warranty, but a little care and maintenance can reduce or prevent this problem.

## Night Noises

This is the biggest cause of service calls, which are outside the manufacturer's warranty. If a fan has a fault it will be noticeable at all times. Naturally when everything is quiet at night you will be more inclined to hear small noises, which may not be noticeable at other times. Even signals super imposed in your electricity supply for off peak hot water control may cause a change in the fan motor noise. This is normal.

# Warranty Policy

---

## Warranty Coverage

The manufacturer warrants the fan motor to be free from defects in workmanship and materials for a period of 5 years from the date of retail purchase by the original purchaser. All other fan parts are warranted to be free from defects in workmanship and materials for a period of 2 years from the date of retail purchase.

## Exclusions & Limitations

- The purchaser shall be responsible for all costs associated with the removal and reinstallation of the product.
- Any damage to any part caused by normal wear and tear, accident, misuse, or improper installation is not covered by this warranty.
- The manufacturer assumes no responsibility for the installation of the fan. Any service performed by a non-licensed electrician will invalidate the warranty.
- The manufacturer shall not be liable for any loss or damage of any kind, including any incidental or consequential damages, resulting directly or indirectly from any breach of warranty (express or implied) or any other failure of this product. (Note: Some states do not allow the exclusion or limitation of incidental or consequential damages, so this limitation may not apply to you.)
- This warranty is void if the original purchaser ceases to own the fan.

## Warranty Fulfillment

If the purchaser encounters a problem with the fan related to defects in workmanship or materials within the warranty period of the defective part, GreenEver agrees to replace the defective part free of charge, or at its option, to replace the ceiling fan with a comparable or superior model.

# Warranty Policy


---

## Warranty Disclaimer

GreenEver's warranties are limited to the written warranties set forth in this ceiling fan warranty. All other express and implied warranties, including, without limitation, the implied warranty of fitness for a particular purpose and the implied warranty of merchantability, are disclaimed. (Note: Some states do not allow the disclaimer of implied warranties, so this disclaimer may not apply to you.)

## How to Obtain Warranty Service

For warranty claims, please contact GreenEver Customer Support:

 +1(888)969-6880

 [greenever@grandjoyhome.com](mailto:greenever@grandjoyhome.com)

 [greenever.grandjoyhome.com](http://greenever.grandjoyhome.com)

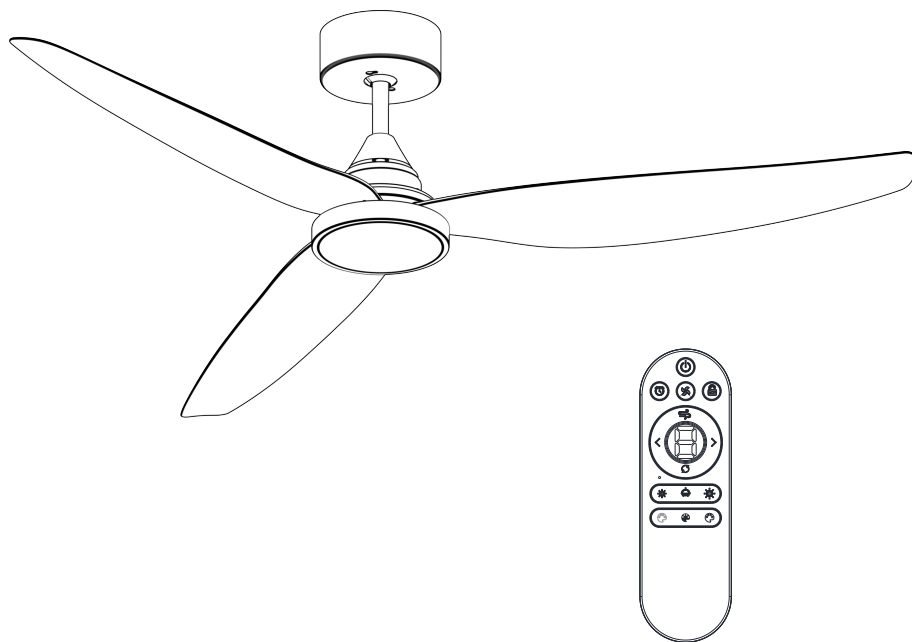
Please provide the following information:

- Copy of original invoice
- Model number and description
- Date and place of installation
- Detailed description and clear photos of the defect

Greenever will determine if the claim qualifies under warranty and advise next steps, which may include repair, replacement, or refund.



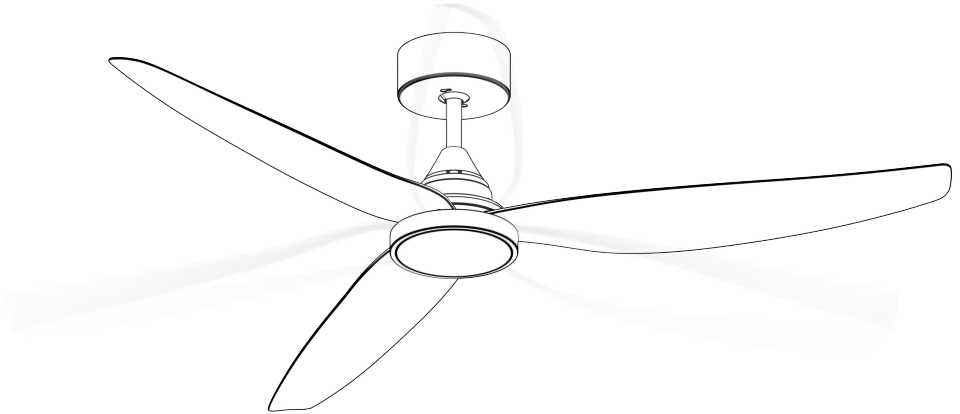
Manual de instalación | Versión 2.0



# Ventilador de techo con luz

Modelos aplicables:  
CFL-0003-BK / CFL-0003-BG  
CFL-0003-WH / CFL-0003-WG

# Redefiniendo la luz y el aire



En GreenEver, combinamos iluminación y flujo de aire en perfecta armonía. Diseñados para la vida moderna, nuestros ventiladores ofrecen confort silencioso y un estilo atemporal, creando un ambiente sereno en cualquier espacio.

**GreenEver**

---

## Guía de video de instalación

Escanee el código QR para acceder a un tutorial visual paso a paso.



# Índice

---

|  |    |
|--|----|
| Introducción .....                                   | 01 |
| Precauciones de seguridad .....                      | 02 |
| Descripción general del producto .....               | 05 |
| Lista de piezas .....                                | 06 |
| Instrucciones de instalación .....                   | 07 |
| Pasos de instalación .....                           | 09 |
| Instrucciones de funcionamiento del ventilador ..... | 20 |
| Recordatorios importantes .....                      | 21 |
| Solución de problemas .....                          | 22 |
| Política de garantía .....                           | 25 |

# Introducción

---

## FELICITACIONES POR SU COMPRA

Gracias por elegir nuestro ventilador de techo. Lea este manual detenidamente antes de ensamblar y utilizar el producto para garantizar un funcionamiento seguro y correcto.




## AVISOS DE SEGURIDAD

### ADVERTENCIA/PRECAUCIÓN

El aviso de **ADVERTENCIA/PRECAUCIÓN** indica un peligro. Llama la atención sobre procedimientos de instalación, operación o mantenimiento, o similares, que si no se realizan o siguen correctamente, podrían provocar daños al aparato, lesiones personales o la muerte.

No continúe más allá de un aviso de **ADVERTENCIA/PRECAUCIÓN** hasta que las condiciones indicadas se comprendan completamente y se cumplan.

## SÍMBOLOS DE SEGURIDAD

|   |                                 |
|---|---------------------------------|
|  | Corriente alterna               |
|  | Conexión a tierra de protección |
|  | Advertencia/Precaución          |

# Precauciones de seguridad

---

Observe cuidadosamente las siguientes precauciones generales de seguridad antes y durante todas las fases de manipulación, instalación, desmontaje, funcionamiento y mantenimiento de este producto. Lea y siga cuidadosamente todas las precauciones de seguridad antes, durante y después de la instalación y el funcionamiento. No hacerlo puede provocar lesiones, daños o la anulación de la garantía.

## ADVERTENCIAS DE SEGURIDAD

- 1. Importante: Este ventilador debe ser instalado por un electricista autorizado y calificado.**
2. Lea todas las instrucciones y la información de seguridad. Revise los diagramas de ensamblaje proporcionados antes de instalar su nuevo ventilador de techo.
3. Este aparato no está destinado a ser utilizado por personas (incluidos los niños) con capacidades físicas, sensoriales o mentales reducidas, o con falta de experiencia y conocimientos, a menos que hayan recibido supervisión o instrucciones sobre el uso del aparato por parte de una persona responsable de su seguridad.
4. Los niños pequeños deben ser supervisados para garantizar que no jueguen con el aparato.
5. Todos los trabajos eléctricos deben realizarse únicamente después de desconectar la alimentación retirando los fusibles o apagando el disyuntor, para garantizar el aislamiento completo de todos los polos del suministro eléctrico.
6. No utilice el producto en exteriores donde pueda estar expuesto al agua o la humedad.

# Precauciones de seguridad

---

7. Este manual no está destinado a instruir ni ayudar a personas no capacitadas o no calificadas a instalar este ventilador de techo.
8. Es responsabilidad del instalador calificado y autorizado, así como del usuario, aplicar el sentido común y actuar con cuidado en todo momento durante la instalación y el funcionamiento.

## CÓMO ELEGIR UNA UBICACIÓN ADECUADA PARA EL VENTILADOR DE TECHO

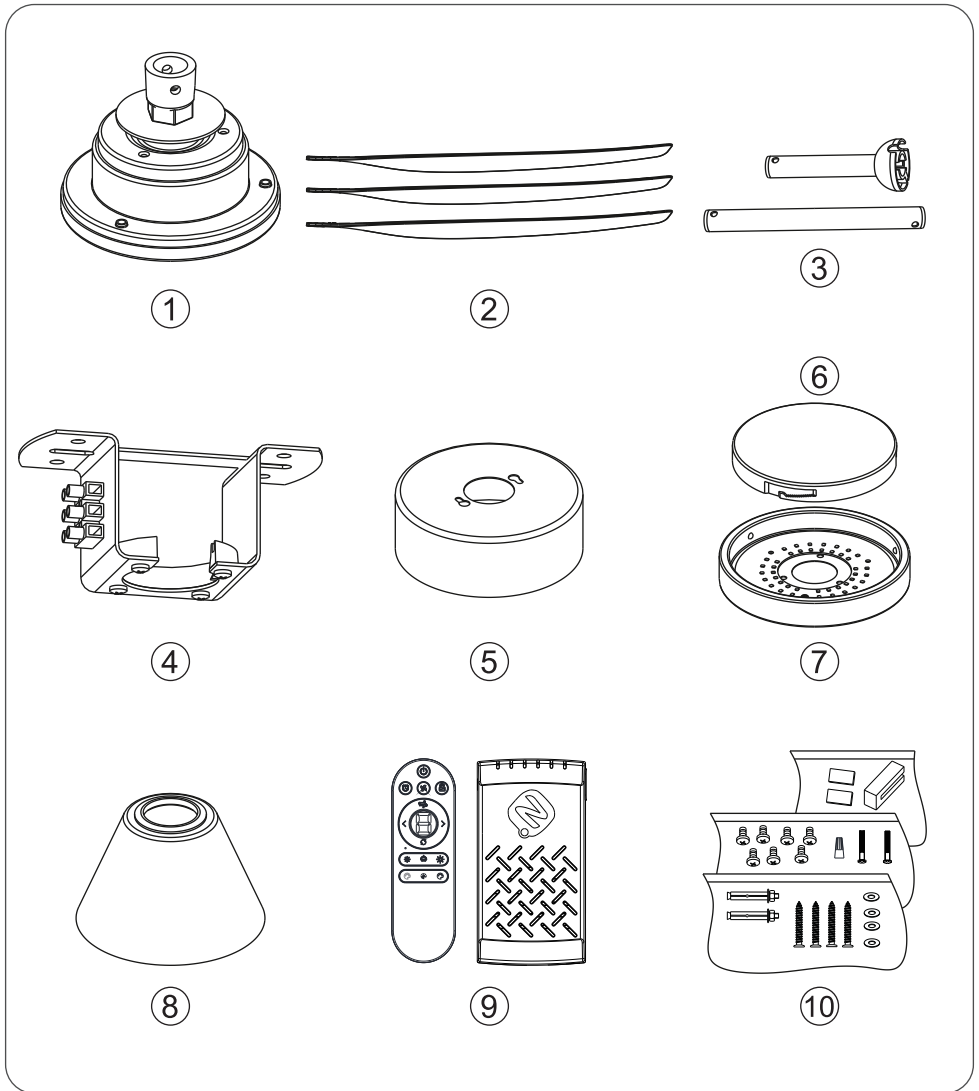
1. **De acuerdo con las normas de seguridad, el punto más bajo de la aspa del ventilador debe estar al menos a 2.3 metros (7.5 pies) del piso.**
2. Este ventilador es SOLO PARA USO EN INTERIORES. No lo instale en lugares húmedos ni en áreas expuestas a la humedad, como baños, patios cubiertos o porches.
3. La ubicación elegida para el ventilador no debe permitir que las aspas giratorias entren en contacto con ningún objeto.
4. Verifique cuidadosamente y asegúrese de que las vigas del techo sean lo suficientemente resistentes y de tamaño adecuado para soportar un peso aproximado de 78 lb.
5. Para reducir el riesgo de incendio, descarga eléctrica o lesiones personales, asegúrese de que el soporte de montaje del ventilador esté directamente sostenido por la estructura del edificio. No lo monte en una caja eléctrica.
6. La placa de montaje debe atornillarse firmemente a una estructura del edificio que soporte carga; por ejemplo, debe fijarse de manera segura al concreto o atornillarse entre las vigas.
7. Instale las aspas del ventilador después de que la carcasa del motor esté instalada y correctamente asegurada. Mantenga el motor y las aspas del ventilador en su embalaje original hasta que estén listos para instalarse.

# Precauciones de seguridad

---

8. Verifique y confirme, después de que el ventilador esté completamente instalado, que todas las conexiones sean correctas y seguras para evitar que el ventilador se caiga o cause daños a la propiedad o lesiones personales.
9. Tenga cuidado de no doblar ni dañar el eje de transmisión del motor o las aspas del ventilador al manipularlos o instalarlos. Si se detecta algún defecto, comuníquese con el Servicio de Atención al Cliente antes de instalar el ventilador de techo.
10. El ventilador, el kit de iluminación y la placa de montaje deben estar conectados a tierra.
11. El uso de un control remoto no aprobado anula la garantía. Utilice únicamente nuestro control remoto.
12. No retire el ventilador del techo después de la instalación.
13. Asegúrese de que la electricidad esté apagada en el panel principal antes de comenzar el trabajo. Corte la energía retirando el fusible o apagando el disyuntor antes de instalar el ventilador y reemplazar la luz LED.

# Descripción general del producto



# Lista de piezas

---

| N.º | Nombre   | Cant.   |
|-----|--|---------|
| ①   | Conjunto del motor   | 1       |
| ②   | Aspas  | 3       |
| ③   | Tubo de extensión<br>(5 pulgadas y 10 pulgadas, la versión de 5 pulgadas con bola de suspensión) | 1 juego |
| ④   | Soporte de montaje   | 1       |
| ⑤   | Cubierta   | 1       |
| ⑥   | Pantalla de luz  | 1       |
| ⑦   | Kit de luz LED   | 1       |
| ⑧   | Cubierta superior  | 1       |
| ⑨   | Juego de control remoto  | 1       |
| ⑩   | Paquete de tornillos y arandelas   | 1       |

---

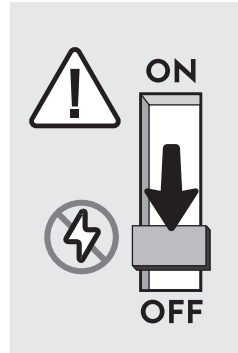
**Nota:** Abra la caja original y verifique los siguientes artículos. Si falta algún artículo o está dañado, póngase en contacto con el servicio de atención al cliente. No deseche la caja ni el material de embalaje, ya que puede ser necesario para reemplazo o reparación en garantía.

# Instrucciones de instalación

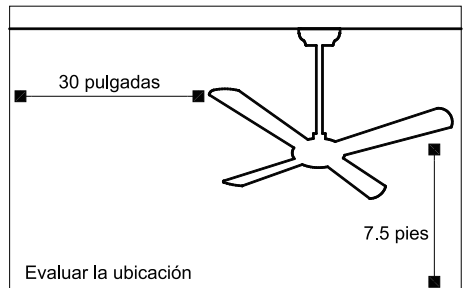
## PRECAUCIÓN

### Notas previas a la instalación

- Asegúrese de que la alimentación esté apagada en el interruptor principal antes de la instalación. Corte la energía retirando el fusible o apagando el interruptor automático antes de instalar el ventilador y reemplazar las lámparas.



- El punto más bajo de la aspa del ventilador debe estar al menos a 2.3 metros (7.5 pies) del piso.
- Asegúrese de que las vigas del techo sean lo suficientemente resistentes y de tamaño adecuado para soportar el peso del ventilador, aproximadamente 78 lb.

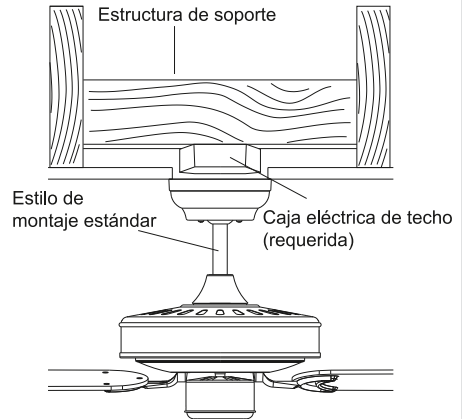


# Instrucciones de instalación

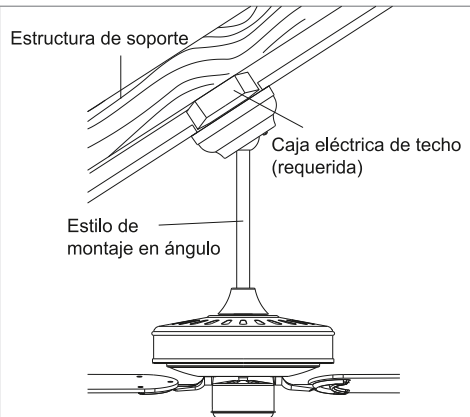
## ⚠ PRECAUCIÓN

### Instrucciones de montaje

- Use el montaje estándar o de perfil bajo para colgar el ventilador en un techo plano.



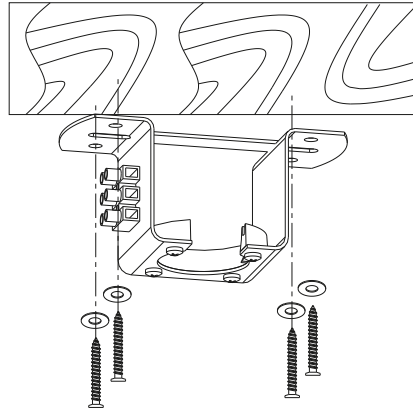
- **Ángulo máximo de inclinación 20°**
- Use el montaje en ángulo para colgar el ventilador en un techo abovedado o inclinado. Para techos inclinados, oriente la abertura del soporte de montaje hacia la cumbrera.



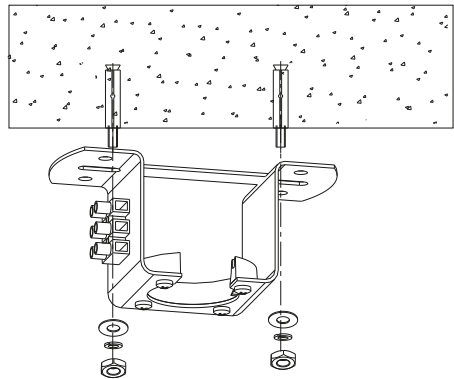
# Pasos de instalación

## Parte 1 Fijación del soporte de montaje

- Fije el soporte de montaje a una viga del techo o a una pieza de madera adecuada colocada entre las vigas del techo. El soporte de montaje debe fijarse con los cuatro tornillos para madera y las arandelas suministrados.



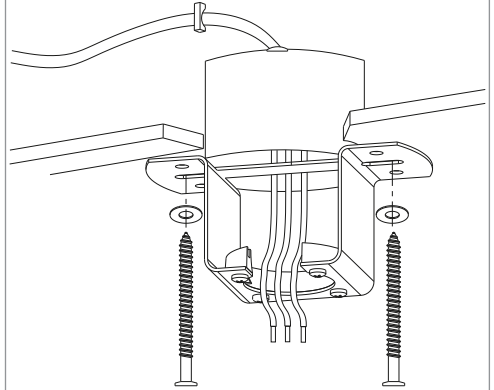
- Para techos de concreto, de acuerdo con la longitud de los tornillos de expansión, perforo orificios con un taladro percutor utilizando una broca de Ø8 mm. Después de esto, fije el soporte de montaje al techo con tornillos de expansión.



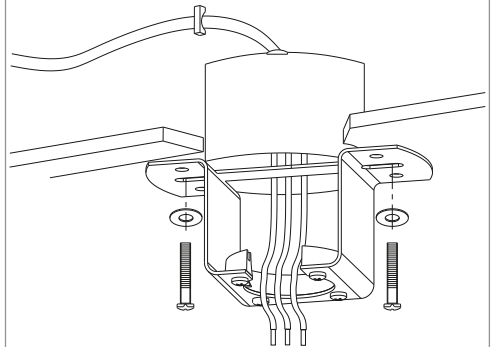
# Pasos de instalación

## Parte 1 Fijación del soporte de montaje

- **USAR TORNILLO PARA MADERA**
- (Incluido) cuando se fija a la estructura de soporte con una caja eléctrica aprobada. Perfore orificios guía de 9/64" en la estructura de soporte para ayudar a asegurar el soporte del techo con los herrajes incluidos en la bolsa de tornillos.



- **USAR TORNILLO MECÁNICO**
- (Suministrado con la caja eléctrica) cuando se fija a una caja eléctrica existente clasificada para ventilador de techo. Asegúrese de que esté instalada de forma segura y sea adecuada para soportar un ventilador de 31.8 kg (78 lb) o menos.

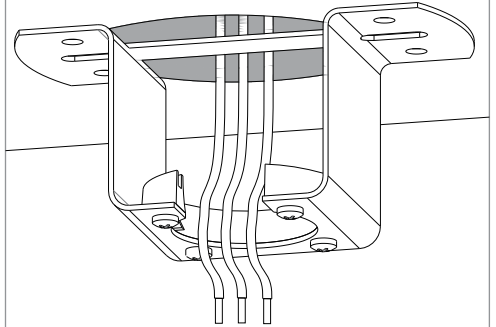


# Pasos de instalación

---

## Parte 1 Fijación del soporte de montaje

- Si está instalando el ventilador en una caja de conexiones eléctrica existente en el techo, asegúrese de que esté clasificada para uso con ventiladores. Monte el soporte colgante en la caja de conexiones como se muestra utilizando los pernos de la caja.



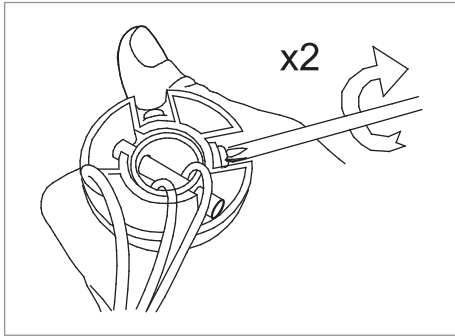
# Pasos de instalación

## Parte 2 Selección y ensamblaje de la varilla

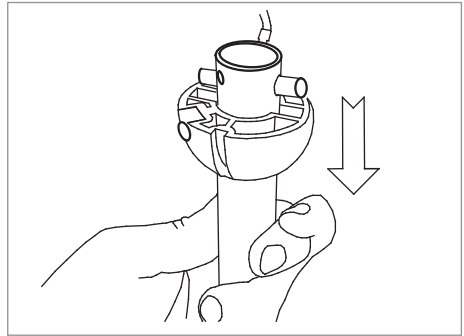
### Selección de la varilla

|   |   |
|---|---|
| 1 | Seleccione la varilla adecuada según la altura del techo.   |
| 2 | Este ventilador incluye varillas de 5 y 10 pulgadas. Si no cumplen con los requisitos de su instalación, comuníquese con nuestra empresa para adquirir otro tamaño. |

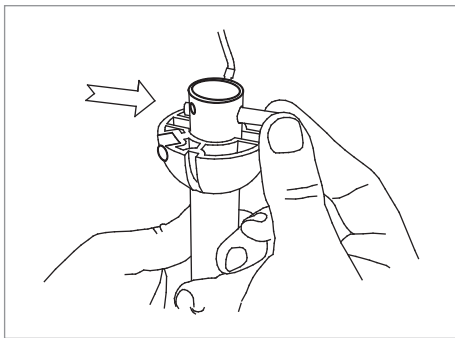
### Desmontaje y montaje de la varilla



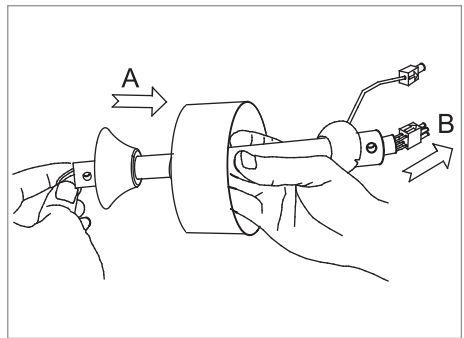
1. Retire los dos pernos de la varilla.



2. Separe hacia abajo la pieza de conexión de la varilla.



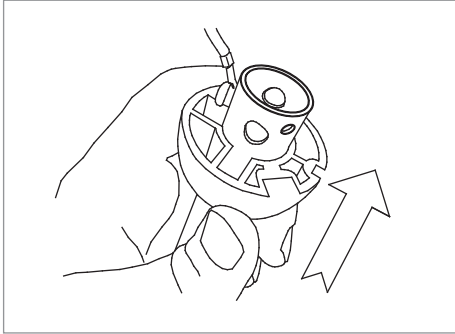
3. Retire el pasador de bloqueo, el perno y los dos tornillos de fijación del acoplador.



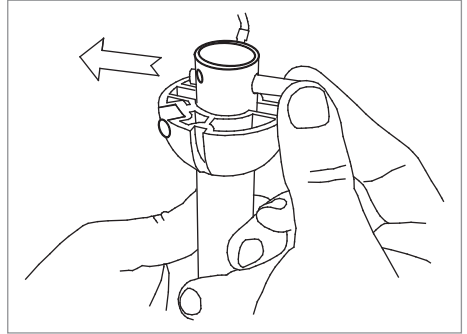
4. Pase la varilla a través de la cubierta del techo, la cubierta magnética y la cubierta del acoplador en la dirección correcta, luego pase el cable de alimentación a través de la varilla.

# Pasos de instalación

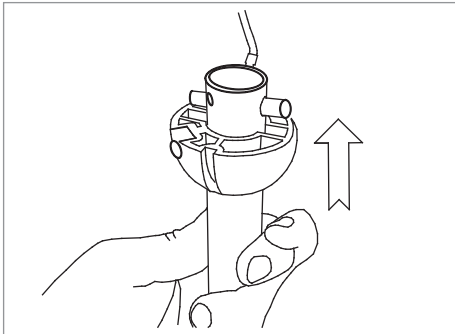
## Desmontaje y montaje de la varilla



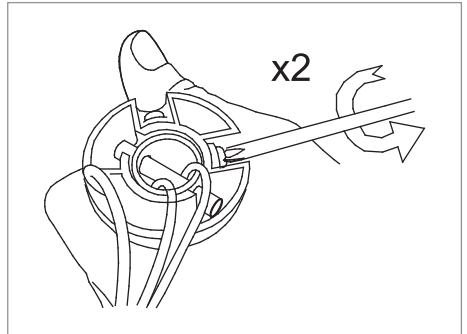
5. Inserte la varilla en el acoplador; coloque el perno y el pasador de bloqueo. Apriete el tornillo de fijación y cubra el acoplador con la tapa del acoplador.



6. Vuelva a montar la bola de suspensión en la varilla y alinee la posición de instalación.



7. Empuje la bola de suspensión hacia arriba para asegurarse de que esté firmemente conectada a la varilla.

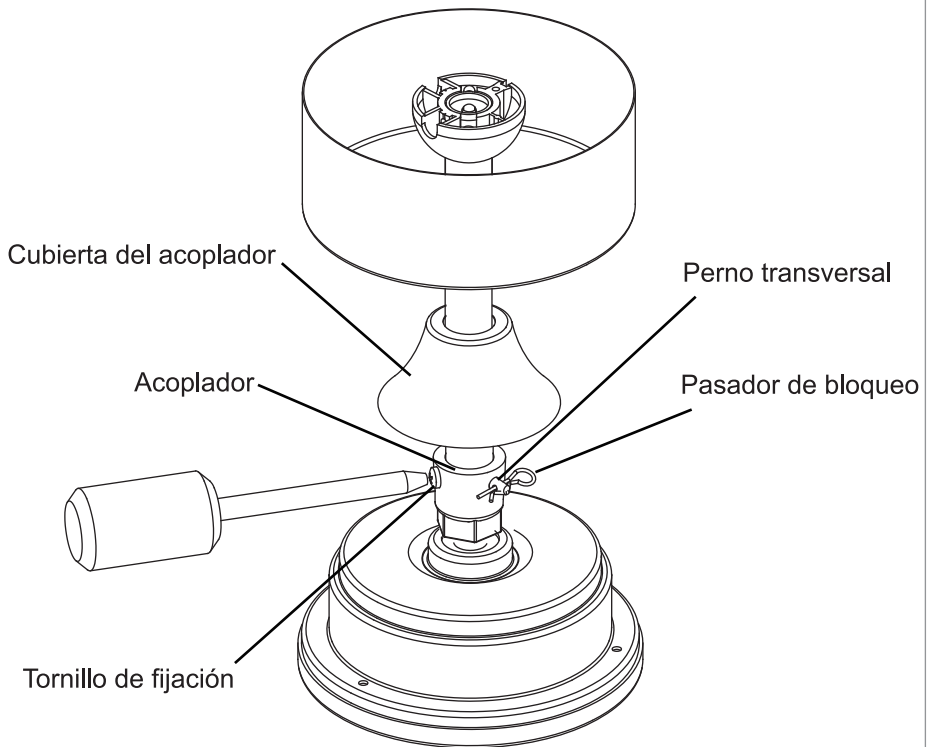


8. Apriete los dos pernos de fijación para completar el montaje de la bola de suspensión y la varilla.

# Pasos de instalación

## Parte 3 Conexión del motor y la varilla

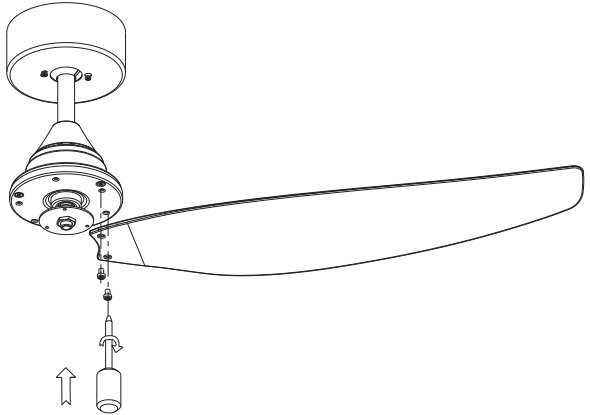
- Pase el cable de alimentación del ventilador (desde la carcasa del motor) a través de la varilla, la campana y la cubierta del acoplador.



- **Fije la varilla al conjunto del motor del ventilador mediante el siguiente método.**
  - A. Retire el pasador de bloqueo del perno transversal y extraiga el perno transversal;
  - B. Desenrosque los tornillos de fijación;
  - C. Inserte la varilla en el acoplador en la parte superior del motor y alinee los orificios de la varilla;
  - D. Vuelva a insertar el perno transversal y bloquéelo con el pasador de bloqueo;
  - E. Apriete los tornillos de fijación.

# Pasos de instalación

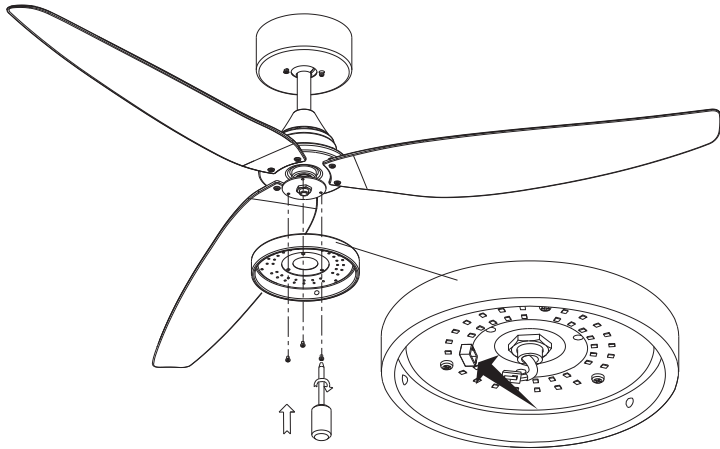
## Parte 4 Instalación de las aspas



- Coloque cada aspa en el conjunto del motor y utilice los tornillos y arandelas suministrados para fijarlas. Precaución: apriete los tornillos con cuidado para evitar dañar las aspas, pero asegúrese de apretarlos correctamente para evitar vibraciones excesivas durante el arranque.

# Pasos de instalación

## Parte 5 Instalación del kit de luz

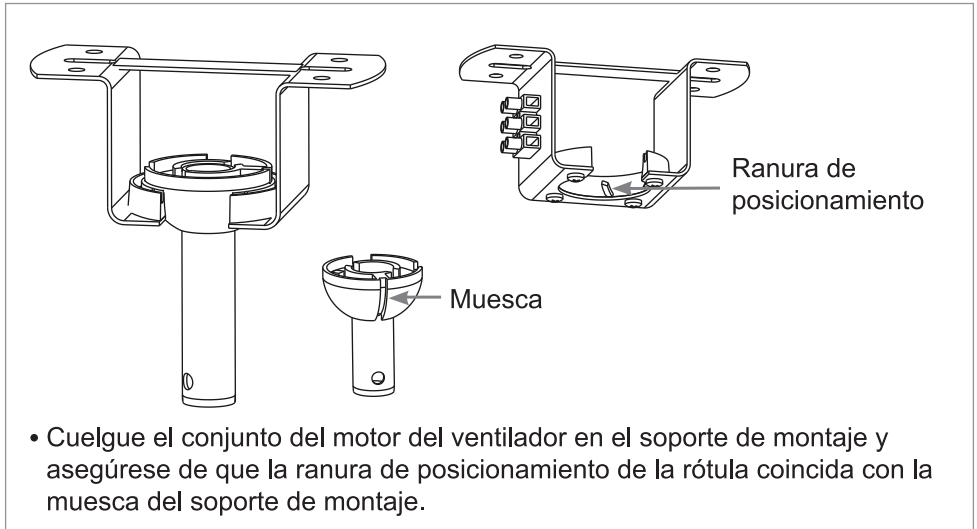


- Instale el kit de luz en la brida del conjunto del motor y fíjelo con tres tornillos. Conecte el conector LED del ventilador al conector del kit de luz. Luego alinee las ranuras de la pantalla con las pestañas de la placa de luz y gire la pantalla en sentido horario hasta que quede firmemente bloqueada en su lugar.

# Pasos de instalación

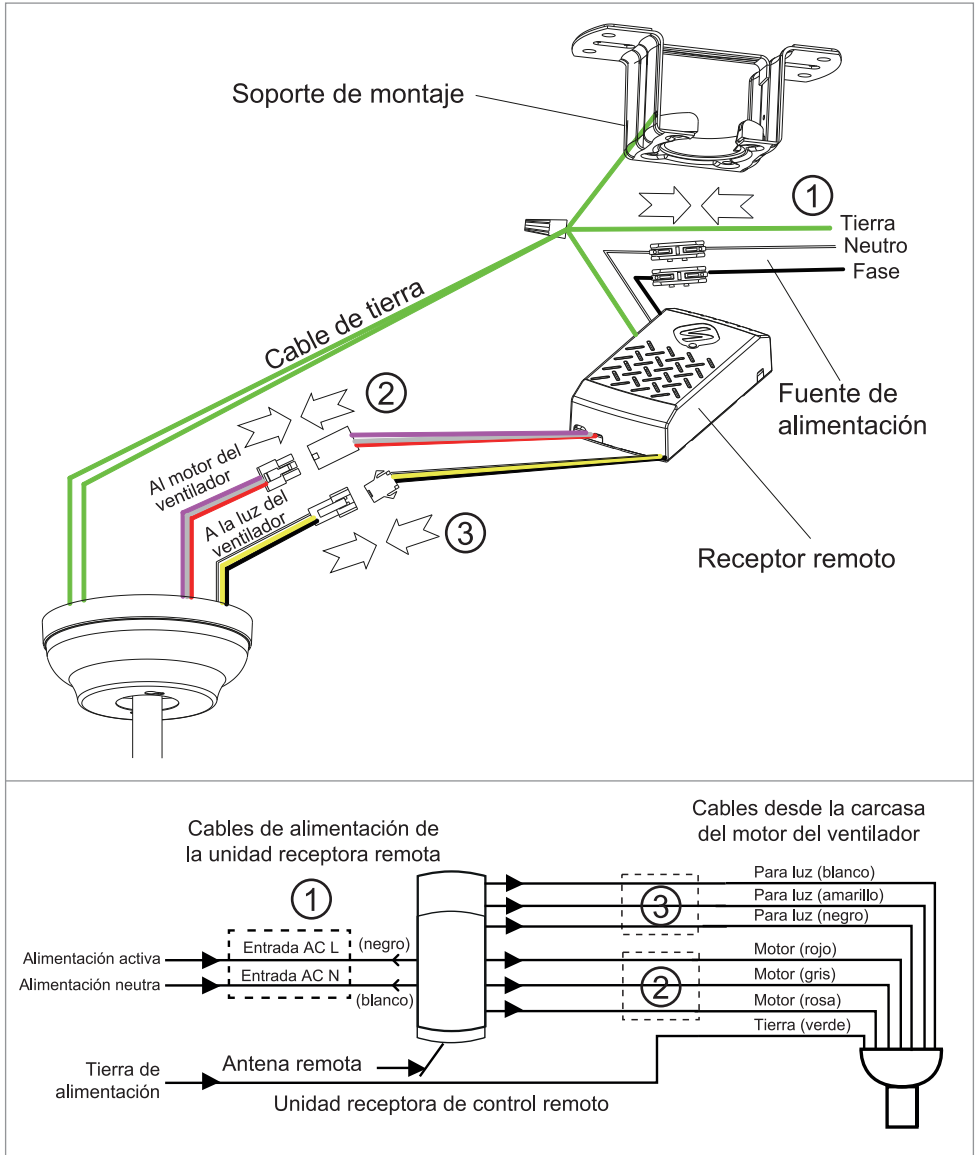
## Parte 6 Montaje del ventilador y puesta en marcha del cableado

### Montaje del ventilador



# Pasos de instalación

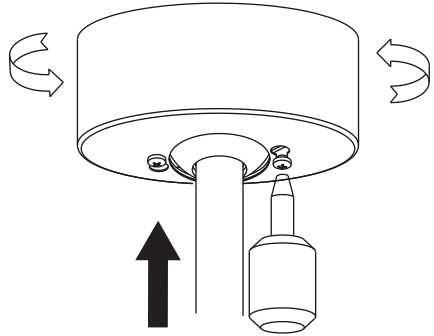
## Diagrama de cableado



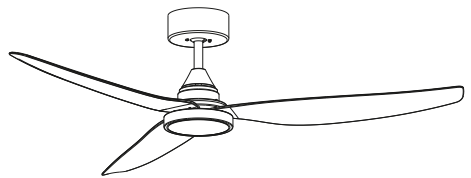
# Pasos de instalación

## Paso final de operación

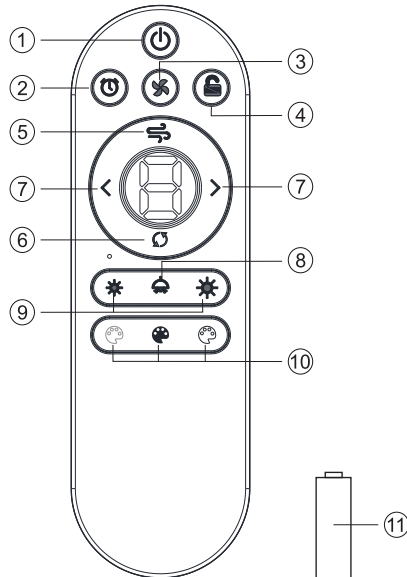
- Desenrosque a la mitad los dos tornillos superiores de fijación de la cubierta, colóquela en la parte inferior del soporte de montaje, gire el seguro del tornillo de fijación de la cubierta hasta la posición correcta y luego apriete los tornillos.



- Después de realizar el paso anterior, la instalación de su ventilador de techo con luz queda completada. Asegúrese de que todos los componentes estén firmemente fijados y realice una verificación de seguridad antes de encender la alimentación eléctrica.



# Instrucciones de funcionamiento del ventilador



- ① Apague el ventilador y la luz.
- ② Configure el temporizador del ventilador (cuando el ventilador esté encendido).
- ③ Apague o encienda el ventilador. esté encendido).
- ④ Entrar o salir del modo BLOQUEO INFANTIL. Mantenga presionado durante 5 segundos.
- ⑤ Active el modo de viento natural (cuando el ventilador esté encendido).
- ⑥ Mantenga presionado durante 2 segundos para cambiar la rotación del ventilador a directa o inversa (cuando el ventilador esté encendido).
- ⑦ Ajuste la velocidad del ventilador (cuando el ventilador esté encendido).
- ⑧ Encienda o apague la luz. Mantenga presionado durante 3 segundos para emparejar con el receptor.
- ⑨ Ajuste el brillo de la luz (cuando la luz esté encendida).
- ⑩ Ajuste la temperatura de color de la luz (cuando la luz esté encendida).
- ⑪ BATERÍA: 1.5 V × 2 baterías AAA (LR03).

**Note:** El uso de un control remoto no aprobado anulará la garantía.

Por lo tanto, no controle el funcionamiento de este ventilador con ningún controlador que no esté aprobado para este ventilador.

No utilice controladores de estado sólido.

# Recordatorios importantes

---

1. Mantenga presionado el botón de emparejamiento del transmisor “Lamp ON/OFF” mientras el receptor se enciende dentro de los 5 segundos. Después de escuchar “DIDI” durante tres tonos largos, el emparejamiento del código de aprendizaje se completa correctamente y puede funcionar con normalidad. Si no es así, apague la alimentación y repita el procedimiento anterior. (Nota: No se acepta el emparejamiento del código de aprendizaje después de más de 5 segundos de encendido).
2. Cuando el transmisor no pueda controlar el receptor, verifique si el contacto de la batería es correcto, la polaridad positiva y negativa, y si la batería está cargada o descargada.
3. El bajo voltaje de la batería afectará la sensibilidad del transmisor y la recepción de la señal (el indicador luminoso parpadeará como advertencia cuando el voltaje de la batería sea bajo); reemplace la batería cuando esté descargada.
4. Retire la batería del transmisor cuando no se utilice durante un período prolongado.
5. Al instalar el ventilador, asegúrese de que la cubierta del techo no presione la antena (u otros cables), ya que puede dañar el cable y provocar un cortocircuito.
6. Potencia máxima de iluminación admitida: 36 W.  
**Nota: conecte correctamente el cable de tierra; de lo contrario, la luz puede quedar levemente encendida o parpadear.**

NOTA 1: Se escuchará un pitido cuando se active una función.

NOTA 2: El motor no responde de manera instantánea a los cambios realizados con el control remoto. Sea paciente y permita que el motor procese la instrucción al cambiar de función.

NOTA 3: El control remoto incluye una función de memoria. Esta función guarda el estado cuando se corta la alimentación para reanudarlo cuando se restablece la energía.

NOTA 4: Retire la batería del control remoto cuando no se utilice durante períodos prolongados.

NOTA 5: Para cambiar la dirección de rotación mediante la función S/W, el ventilador debe apagarse y encenderse nuevamente para que el ajuste surta efecto.

NOTA 6: Potencia máxima de iluminación admitida: 36 W.

NOTA 7: Si la alimentación se apaga y se vuelve a encender, la luz se encenderá automáticamente; use el control remoto para apagarla.

# Solución de problemas

| PROBLEMA   | POSIBLE CAUSA  | ACCIÓN CORRECTIVA   |
|--|--|---|
| El ventilador no arranca                           | <ol style="list-style-type: none"> <li>1. Los interruptores automáticos principales están en posición OFF.</li> <li>2. El interruptor de aislamiento en la pared está en posición OFF.</li> <li>3. Las baterías del control remoto (si aplica) están en mal estado.</li> <li>4. El proceso de emparejamiento entre transmisor y receptor no se ha completado.</li> <li>5. Los cables de fase, neutro, tierra y luz (si aplica) están conectados incorrectamente.</li> <li>6. Las conexiones de cables en el interruptor de pared, conectores o bloque de terminales están flojas.</li> </ol> | <ol style="list-style-type: none"> <li>1. Verifique que los interruptores automáticos principales estén en posición ON.</li> <li>2. Verifique que el interruptor de aislamiento esté en posición ON.</li> <li>3. Verifique que las baterías del control remoto (si aplica) estén en buen estado.</li> <li>4. Realice y complete el proceso de emparejamiento entre transmisor y receptor.</li> <li>5. Verifique que los cables desde el interruptor de aislamiento y el receptor remoto (si aplica) hasta el ventilador estén correctamente conectados según el diagrama de cableado.</li> <li>6. Verifique que todas las conexiones de cables en el interruptor de pared, conectores y/o bloque de terminales estén firmes.</li> </ol> |
| El ventilador hace ruido                           | <ol style="list-style-type: none"> <li>1. El conjunto de la luz está flojo (versión con luz).</li> <li>2. Los tornillos de las aspas están flojos.</li> <li>3. Los tornillos del soporte de montaje y la placa de cubierta están flojos.</li> </ol>  | <ol style="list-style-type: none"> <li>1. Apriete completamente el conjunto de la luz (versión con luz).</li> <li>2. Vuelva a apretar todos los tornillos de las aspas (no apriete en exceso).</li> <li>3. Vuelva a apretar todos los tornillos del soporte de montaje y la placa de cubierta.</li> </ol>   |
| Ruido mecánico                                     | <ol style="list-style-type: none"> <li>1. El ventilador aún no ha completado el período de asentamiento.</li> </ol>  | <ol style="list-style-type: none"> <li>1. Deje funcionar el ventilador durante aproximadamente 8 horas para completar el período de asentamiento.</li> </ol>  |
| El ventilador gira pero no circula suficiente aire | <ol style="list-style-type: none"> <li>1. El ventilador está funcionando en sentido inverso (para modelos con función reversible).</li> <li>2. La distancia entre el techo y las aspas es demasiado pequeña.</li> <li>3. La habitación contiene objetos que obstruyen el flujo de aire.</li> <li>4. El ventilador es demasiado pequeño para el tamaño de la habitación.</li> </ol>   | <ol style="list-style-type: none"> <li>1. Ajuste la dirección de rotación del ventilador (para modelos con función reversible).</li> <li>2. Verifique y asegúrese de que la distancia entre el techo y las aspas sea adecuada.</li> <li>3. Retire los objetos que obstruyen el flujo de aire.</li> <li>4. Considere reemplazarlo por un ventilador de mayor tamaño adecuado para la habitación.</li> </ol>  |

# Solución de problemas

| PROBLEMA                         | POSIBLE CAUSA   | ACCIÓN CORRECTIVA  |
|----------------------------------|---|--|
| <p>El ventilador se tambalea</p> | <ol style="list-style-type: none"> <li>1. Los soportes de las aspas están flojos.</li> <li>2. El nivel de las aspas es inconsistente (las medidas desde la punta de cada aspa hasta el techo varían).</li> <li>3. La separación entre aspas es inconsistente (las medidas entre las puntas de las aspas varían).</li> </ol> | <ol style="list-style-type: none"> <li>1. Verifique que todos los soportes de las aspas estén firmemente apretados.</li> <li>2. Mida la distancia desde la punta de cada aspa hasta el techo. Si es inconsistente, ajuste los soportes.</li> <li>3. Mida la distancia entre las puntas de las aspas. Si varía, afloje los tornillos que conectan las aspas y los soportes (uno a la vez), ajuste la aspa a la posición correcta y vuelva a apretar los tornillos.</li> </ol> |

## INFORMACIÓN IMPORTANTE

Todos los motores eléctricos, incluidos los motores de ventilador, generan algo de ruido y pueden sentirse calientes al tacto; esto no es una falla. Los ventiladores de techo tienden a moverse durante el funcionamiento, ya que normalmente no están montados de forma rígida. Los ventiladores de techo montados rígidamente generan vibraciones excesivas y tensión en sus soportes.

Un movimiento de un par de centímetros es normal y no indica que el ventilador vaya a caerse.

Tenga en cuenta que no todos los ventiladores de techo son iguales; incluso dentro del mismo modelo, algunos pueden moverse más o menos que otros.

Las luces del ventilador pueden vibrar si no se suministran con el ventilador. No están cubiertas por la garantía.

# Solución de problemas

---

## Funcionamiento del ventilador

Un ventilador de techo es una opción ambientalmente inteligente tanto para enfriar como para ayudar a calentar la habitación. Con el uso regular del ventilador, debería notar una reducción en los costos tanto de enfriamiento como de calefacción. No dude en utilizar el ventilador tanto en los meses de verano como de invierno. En verano, el ventilador debe configurarse para girar en sentido antihorario, impulsando una brisa fresca hacia abajo. En invierno, el ventilador debe configurarse para girar en sentido horario, de modo que el flujo de aire ascendente empuje el aire caliente acumulado en el techo y lo haga circular hacia abajo en las áreas habitables. Durante los meses de invierno, utilice el ventilador a una velocidad más baja que en verano.

## Desgaste normal

Los componentes roscados que se aflojan ligeramente, o los soportes de las aspas que se doblan levemente debido a una limpieza vigorosa o a golpes, pueden causar vibraciones adicionales y ruido. Esto no está cubierto por la garantía, pero un poco de cuidado y mantenimiento puede reducir o prevenir este problema.

## Ruidos nocturnos

Esta es la causa más común de solicitudes de servicio y no está cubierta por la garantía del fabricante. Si el ventilador presenta una falla, esta será perceptible en todo momento. Naturalmente, cuando todo está en silencio por la noche, es más probable que se perciban pequeños ruidos que pueden pasar desapercibidos en otros momentos. Incluso las señales superpuestas en el suministro eléctrico para el control de agua caliente en horario de baja demanda pueden provocar cambios en el ruido del motor del ventilador. Esto es normal.

# Política de garantía

---

## Cobertura de la garantía

El fabricante garantiza que el motor del ventilador estará libre de defectos de mano de obra y materiales durante un período de 5 años a partir de la fecha de compra al por menor por parte del comprador original. Todas las demás piezas del ventilador están garantizadas contra defectos de mano de obra y materiales durante un período de 2 años a partir de la fecha de compra al por menor.

## Exclusiones y limitaciones

- El comprador será responsable de todos los costos asociados con la retirada y reinstalación del producto.
- Cualquier daño a cualquier componente causado por el desgaste normal, accidente, uso indebido o instalación incorrecta no está cubierto por esta garantía.
- El fabricante no asume ninguna responsabilidad por la instalación del ventilador. Cualquier servicio realizado por un electricista sin licencia invalidará la garantía.
- El fabricante no será responsable por ninguna pérdida o daño de cualquier tipo, incluidos daños incidentales o consecuentes, que resulten directa o indirectamente de cualquier incumplimiento de la garantía (expresa o implícita) o de cualquier otra falla de este producto. (Nota: Algunos estados no permiten la exclusión o limitación de daños incidentales o consecuentes, por lo que esta limitación puede no aplicarse a usted).
- Esta garantía quedará anulada si el comprador original deja de ser propietario del ventilador.

# Política de garantía

---

## Cumplimiento de la garantía

Si el comprador encuentra un problema con el ventilador relacionado con defectos de fabricación o materiales dentro del período de garantía de la pieza defectuosa, GreenEver se compromete a reemplazar la pieza defectuosa sin cargo o, a su elección, a reemplazar el ventilador de techo por un modelo comparable o superior.

## Exención de garantía

Las garantías de GreenEver se limitan a las garantías escritas establecidas en esta garantía del ventilador de techo. Se rechazan todas las demás garantías expresas e implícitas, incluidas, entre otras, la garantía implícita de idoneidad para un propósito particular y la garantía implícita de comerciabilidad. (Nota: Algunos estados no permiten la exclusión de las garantías implícitas, por lo que esta exención puede no aplicarse a usted).

## Cómo obtener servicio de garantía

Para reclamaciones de garantía, comuníquese con el Servicio de Atención al Cliente de GreenEver:

 +1(888)969-6880

 [greenever@grandjoyhome.com](mailto:greenever@grandjoyhome.com)

 [greenever.grandjoyhome.com](http://greenever.grandjoyhome.com)

Por favor proporcione la siguiente información:

- Copia de la factura original
- Número de modelo y descripción
- Fecha y lugar de instalación
- Descripción detallada y fotos claras del defecto

Greenever determinará si la reclamación califica para la garantía y le indicará los siguientes pasos, que pueden incluir reparación, reemplazo o reembolso.