

CEILING FANS INSTALLATION MANUAL

READ AND SAVE THESE INSTRUCTIONS

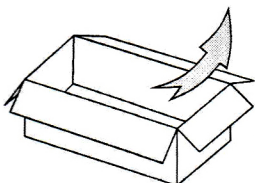
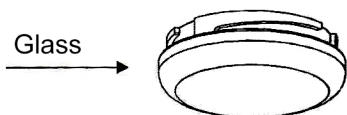
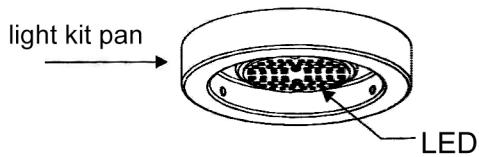
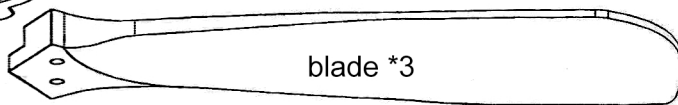
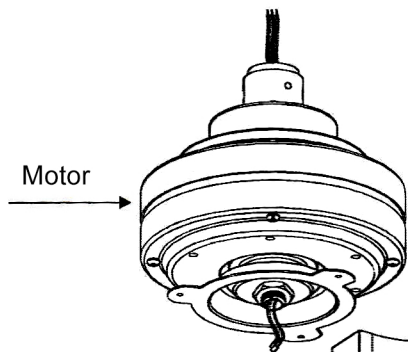
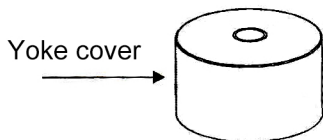
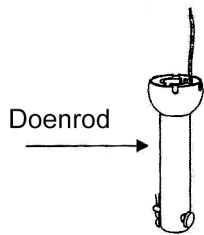
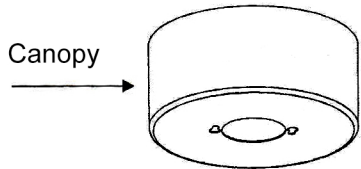
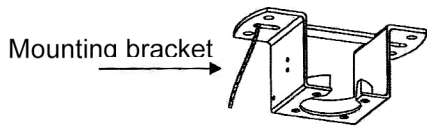
WARNING : TO REDUCE THE RISK OF FIRE, ELECTRICAL SHOCK, OR INJURY TO PERSONS, PLEASE OBSERVE THE FOLLOWING:

1. To ensure the success of the installation, be sure to read the instructions and review the diagrams thoroughly before beginning.
2. To avoid possible electric shock, be sure electricity is turned off at the main power box before wiring. All electrical connections must be made in accordance with local codes, ordinances and/or the National Electric Code. If you are unfamiliar with the methods of installing electrical wiring and products, require the services of a qualified and licensed electrician as well as someone who can check the strength of the supportive ceiling members and make the proper installations and connections.
3. Make sure that your installation site will not allow rotating fan blades to come in contact with any object when fan is in operation. Blades should be at least 7 feet from the floor.
4. Blades should be attached after motor housing is hung and in place. Fan motor housing should be kept in carton until ready to be installed to protect its finish. If you are installing more than one ceiling fan, make sure that you do not mix fan blade sets.
5. Electrical diagrams are for reference only. Light kits that are not packed with the fan and should be installed per the light kit's installation instructions.
6. After fan is completely installed, check to make sure that all connections are secure to prevent fan from falling and/or causing damage or injury.
7. The fan can be made to work immediately after installation. There is no need to oil your fan. The motor has permanently lubrication bearings.
8. The fan must be turned off and stopped before reversing fan direction.
9. The fan is downrod mount only.
10. This fan is suitable for in door use.

TOOLS REQUIRED



UNPACK AND INSPECT FAN CAREFULLY TO BE CERTAIN ALL CONTENTS ARE INCLUDED




Unit pack /all in one box

Hardware Bag

For Mounting Plate:

wood screw *4 


Expansion screws *4 


For Blade Installation:

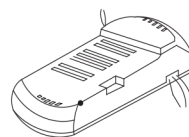
Blade screw*6(one spare screw included)



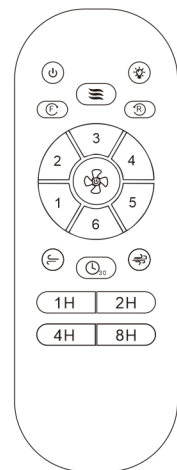
For Blade Balance:

Balanced slice *1 

weight block *2 



Receiver



Remote control
(Image only a reference)

WARNING :BLADES SHOULD BE AT LEAST 7 FEET FROM FLOOR

1.Please turn off the main switching power supply

See Fig.1

The mounting bracket is fastened to the wooden ceiling with wooden screw.

(Ceilings must be capable of carrying 30KG)

See Fig.2

The mounting bracket is locked with expansion screw on the concrete ceiling.

See Fig.3

Loosen the bottom screws from Mounting Bracket.

Do not remove the screws.

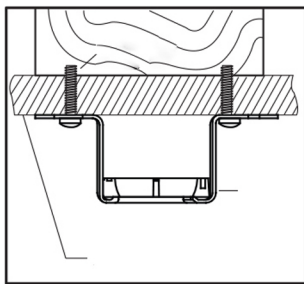


Fig.1

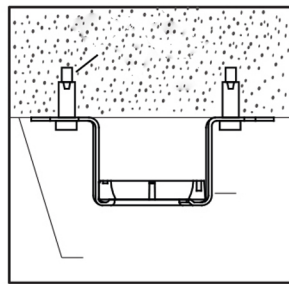
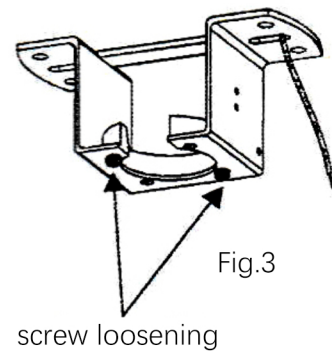


Fig.2



screw loosening

Installing Downrod and Yoke

See Fig.1

1.Take cotter pin and cross pin off downrod assembly.

2.Insert downrod through canopy, and yoke cover assembly, then feed motor lead wires through downrod.

3.Loosen 2 downrod jam screws at yoke. Insert downrod assembly into yoke.

See Fig.2

1.Insert the cross pin through yoke & downrod and secure with cotter pin.

2.Tighten downrod jam screws to further secure downrod.

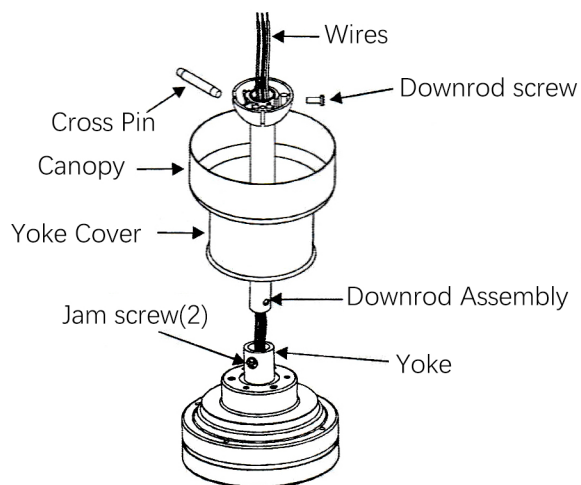


Fig.1

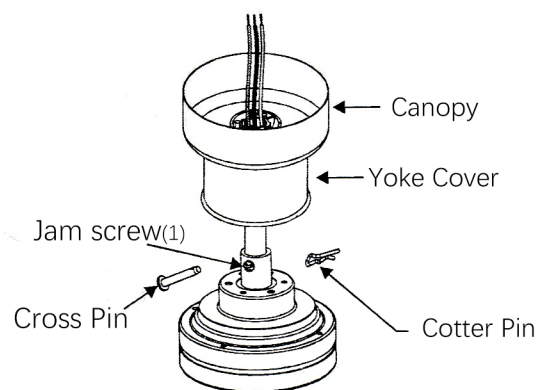
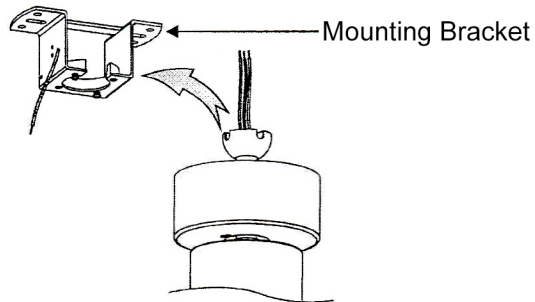


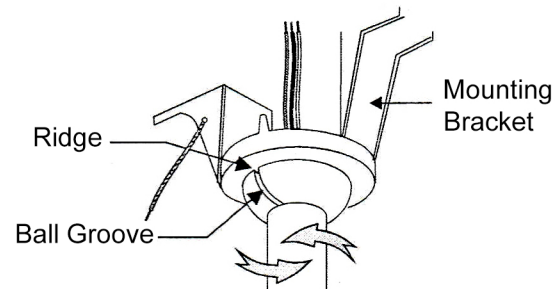
Fig.2

Hanging the fan

Lift fan assembly onto mounting bracket.

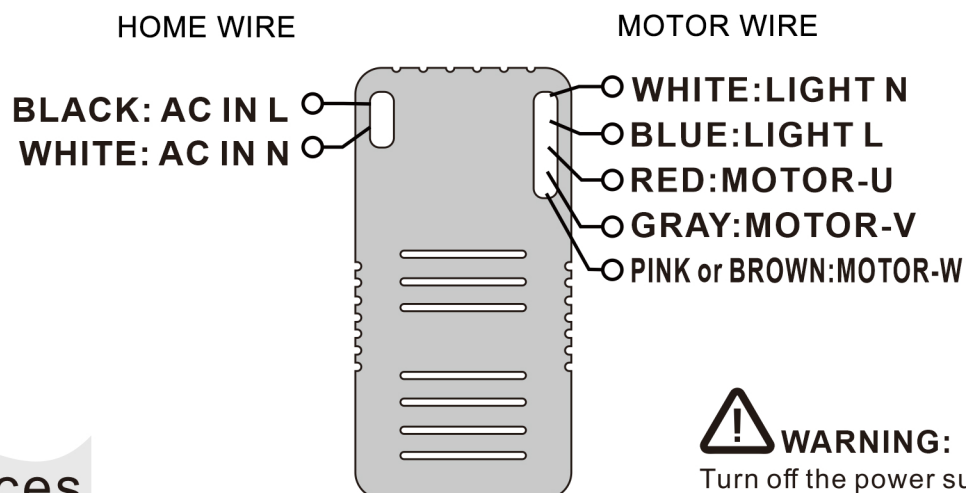


Rotate fan so that the groove on the ball engages the ridge in the mounting bracket.



DC MOTOR WIRE CONNECTION

The receiver wiring instructions



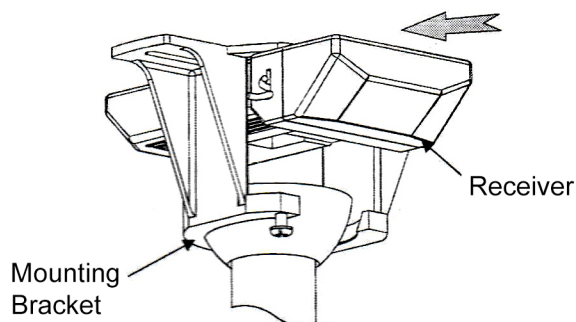
Notices

1. When the emitter is unable to remotely control the receiver, please check whether the switch batteries are in good control, whether they are fixed properly and whether they run out of use.
2. When the emitter is unable to remotely control the receiver, please check whether there are other remote control products around the space and check whether the keys are pressed down, because some nature of remote control product may cause interference with each other, resulting in a poor receiving effect. Taking away such articles will normalize the remote control function. (The infrared remote controller is not included).
3. Please use this product under applicable voltage. Too low voltage will lead to failure of the remote controller to work (Please refer to the product label for the voltage range and related parameters).
4. Please take out the batteries if you will not use this product for a long time.

Voltage: 100-240v 50/60hz

Insert receiver into mounting bracket.

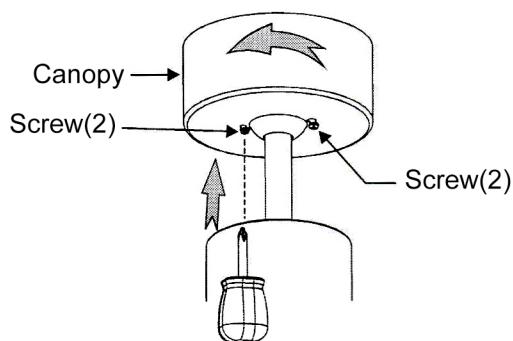
NOTE: Carefully tuck the wire connections into the outlet Box.



CANOPY INSTALLATION

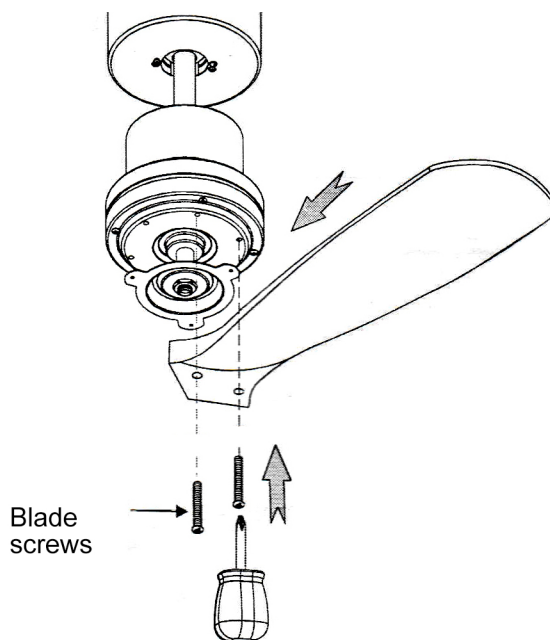
Note: Two screws are pre-installed on mounting bracket for canopy installation.

1. Push up canopy until the two pre-screwed screws on mounting bracket are engaged with the two key holes on canopy.
2. Rotate canopy slightly until the two pre-installed screw heads are engaged in the narrow end of key holes. Tighten both screws.



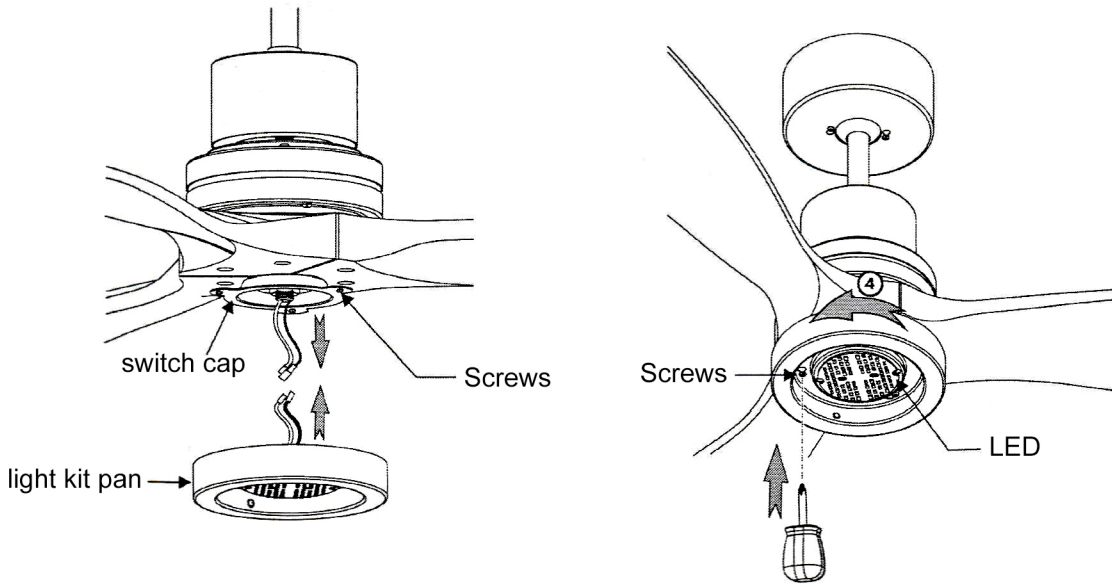
BLADE INSTALLATION

Attach blades to motor by using screws provided in hardware bag.
(* Repeat step until all 3 blades are installed firmly.)

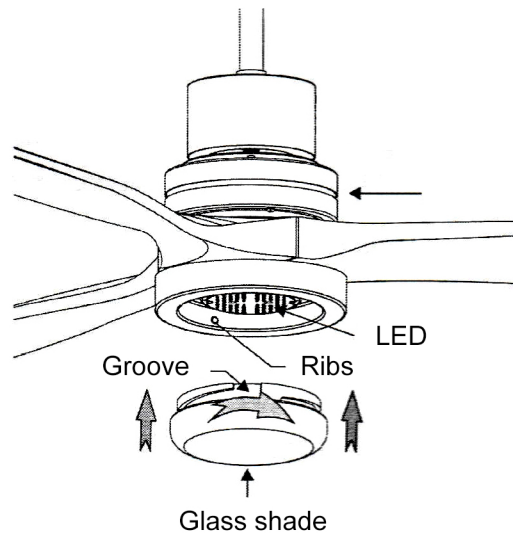


LIGHT KIT INSTALLATION

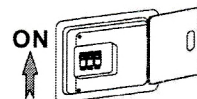
1. Connect 2-pin male terminal connector from light kit to 2-pin female terminal connector from fan.
2. Loosen 3 screws on switch cap.
3. Attach Light kit pan until 3 screws on switch cap are engaged with 3 key holes on Light kit pan.
4. Rotate Light kit pan slightly until 3 screws heads are engaged in the narrow end of key holes.
5. Tighten 3 screws.



Attach the glass shade by screwing it onto the light kit pan clockwise.



Turn on the power at breaker box - your fan is ready for operation.



Fan will not start:

1. Check circuit fuses or breakers.
2. Check line wire connections to the fan and switch wire connections in the switch housing. CAUTION: Make sure main power is off.
3. After the fan is powered on, pressing the remote control does not respond, and the fan beeps. Please do not press the remote control multiple times, Please turn off the power immediately, And check whether the wire between the motor and the receiver is loose. Or remove and re install.

Fan sounds noisy:

1. Make sure all motor housingscrews are snug.
2. Make sure the screws that attach the fan blade bracket to the motor hub are tight.
3. Make sure wire nut connections are not rubbing against each other or the interior wall of the switch housing. CAUTION: Make sure main power is off.
4. Allow a 24-hour "breaking-in" period. Most noises associated with a new fan disappear during this time.
5. If using an optional light kit, make sure the screws securing the glassware are tight. Check that light bulb is also secure.
6. Some fan motors are sensitive to signals from solid-state variable speed controls. If you have installed this type of control, choose and install another type of control.
7. Make sure the upper canopy is a short distance from the ceiling. It should not touch the ceiling.
8. If the above method still does not solve the problem, please contact the manufacturer.