

## Light Fixture Installation

Tools You Will Need: Tools You May Need



Adjustable wrench



Hexagon wrench



Phillips Screwdriver

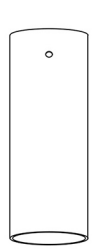
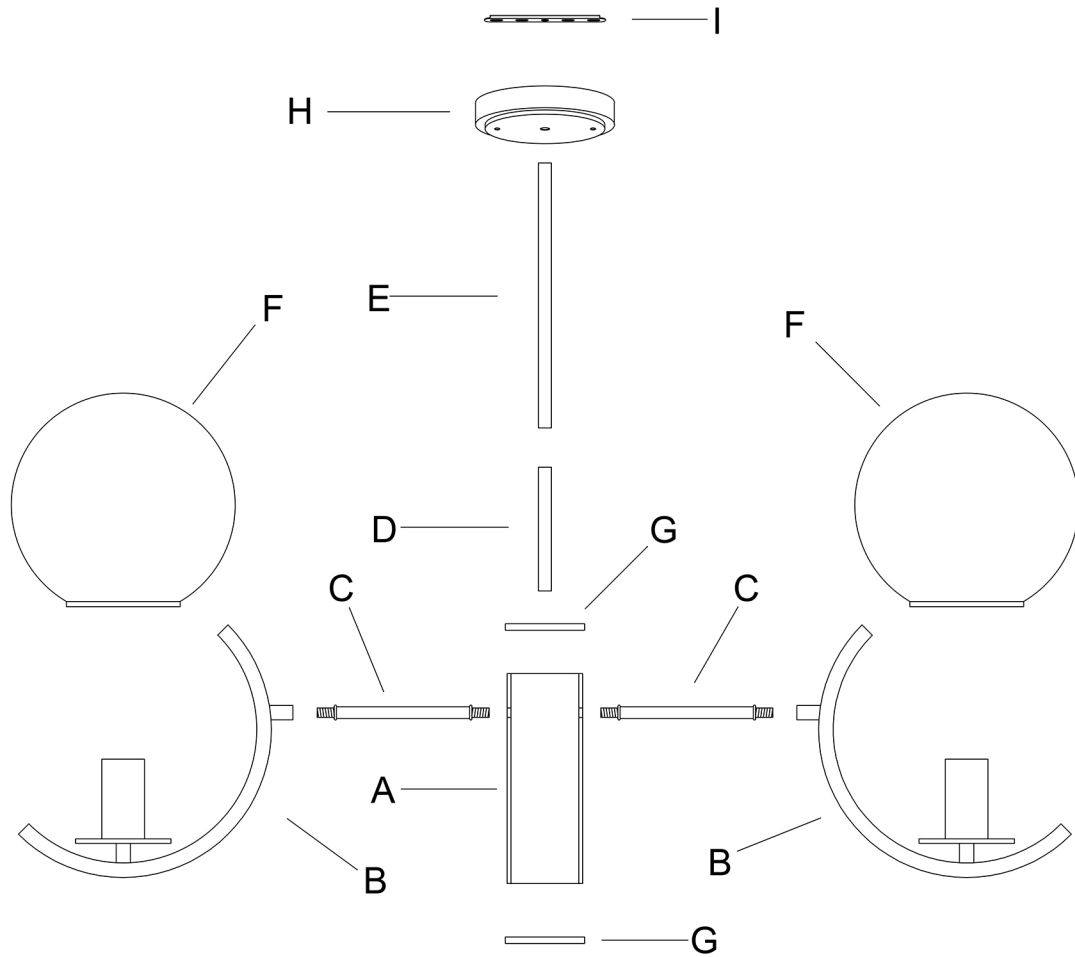
### Before the Installation

1. Do not throw away packing materials until assembly is complete for small parts may come loose inside the carton during shipment. If parts are missing, please contact us.
2. Assemble this item on a soft surface, such as carpet to protect the finish.
3. Proper assembly of this item requires 2 people.
4. Periodically check to ensure that all connections are tight.
5. It is recommended that installation of the product be done by a qualified licensed electrician.

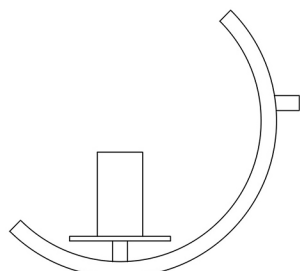
### Care and Cleaning

1. To protect the finish, avoid use chemicals and household cleaners.
2. All hot serving dishes should be placed on a pad.
3. Any liquid spilled onto the top should be cleaned up immediately with a damp cloth.

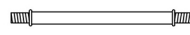
# Parts List



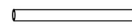
Ax1



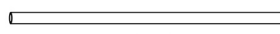
Bx5



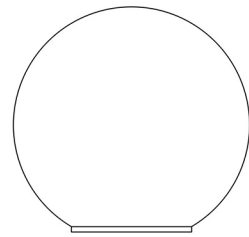
Cx5



Dx1



Ex1



Fx5



Gx2



Hx1



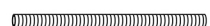
Ix1



Jx1



Kx1



Lx1



Mx3



Nx1



Px2



Qx2



Rx2



Sx4



Tx2



Ux1



Vx6


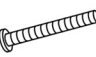




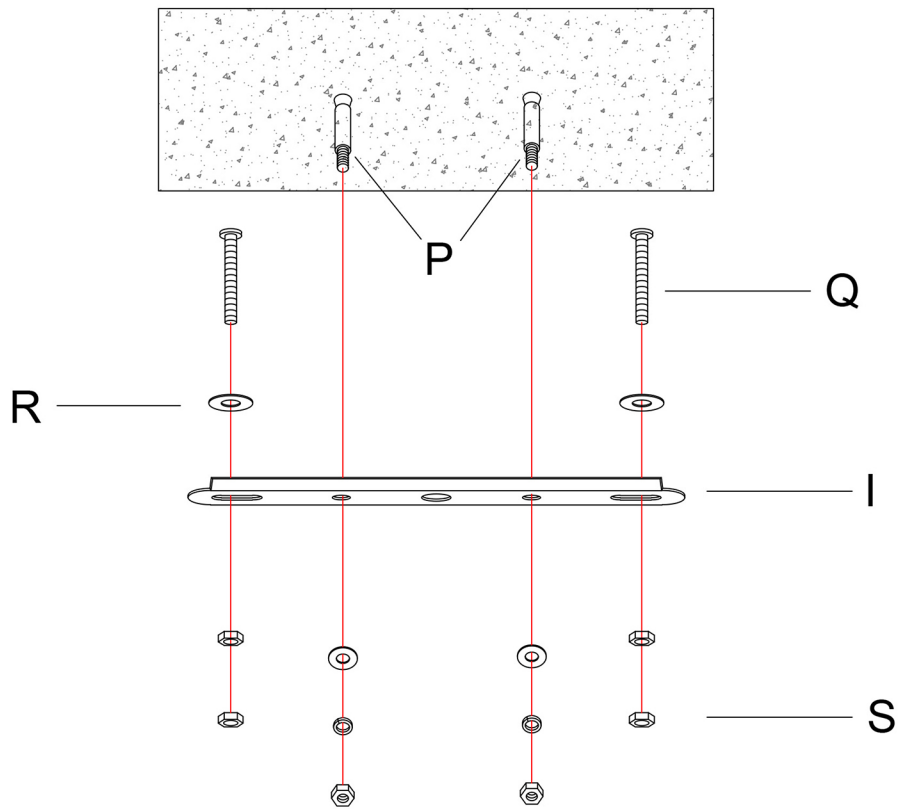
Wx1



Xx2

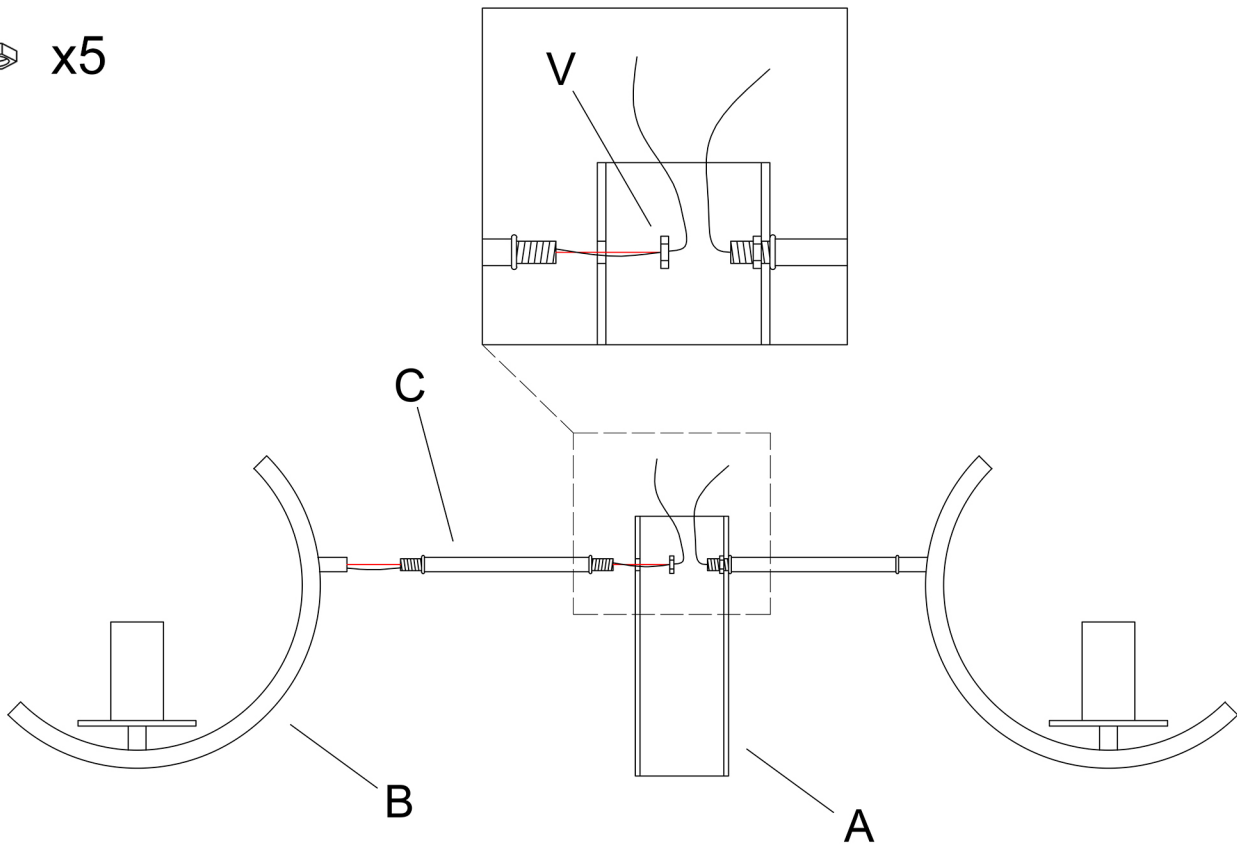
# Step 1

- P  x2
- Q  x2
- R  x2
- S  x4



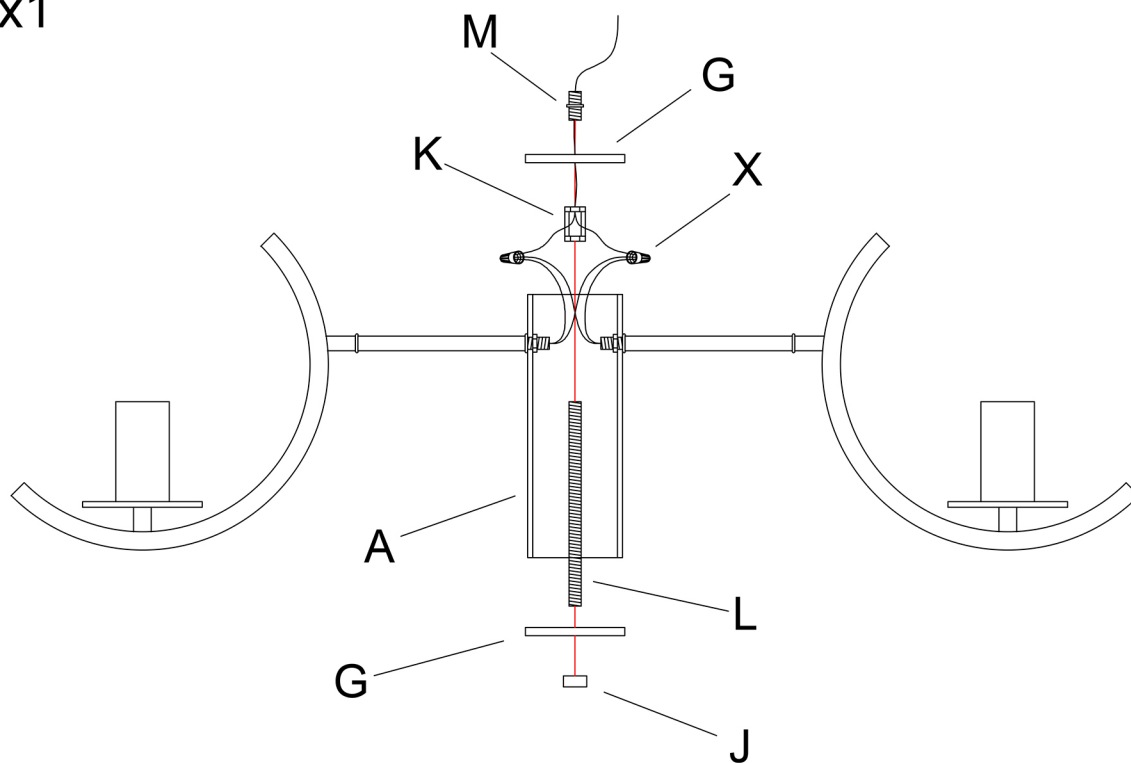
# Step 2

- V  x5



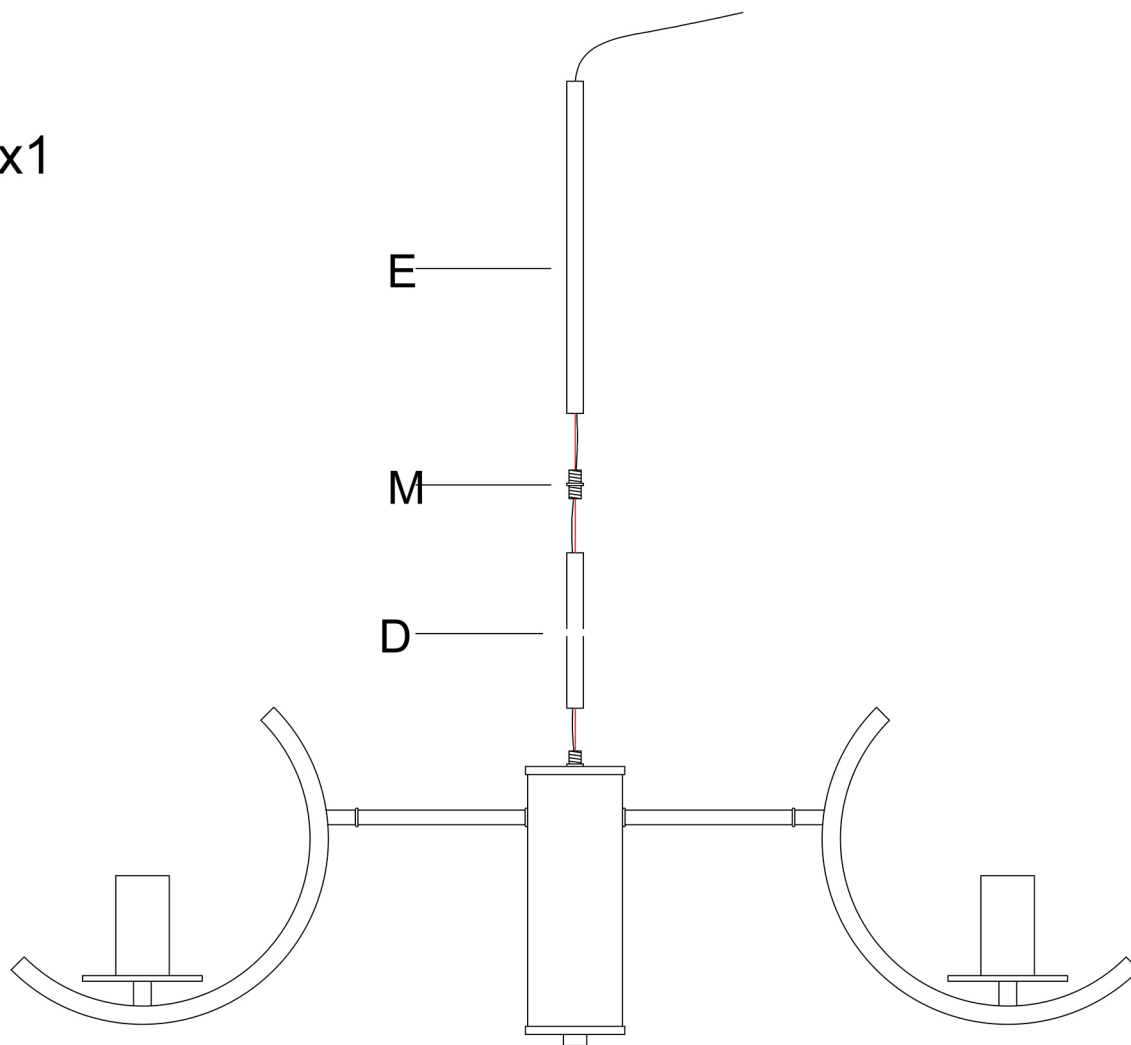
### Step 3

M  x1



### Step 4

M  x1



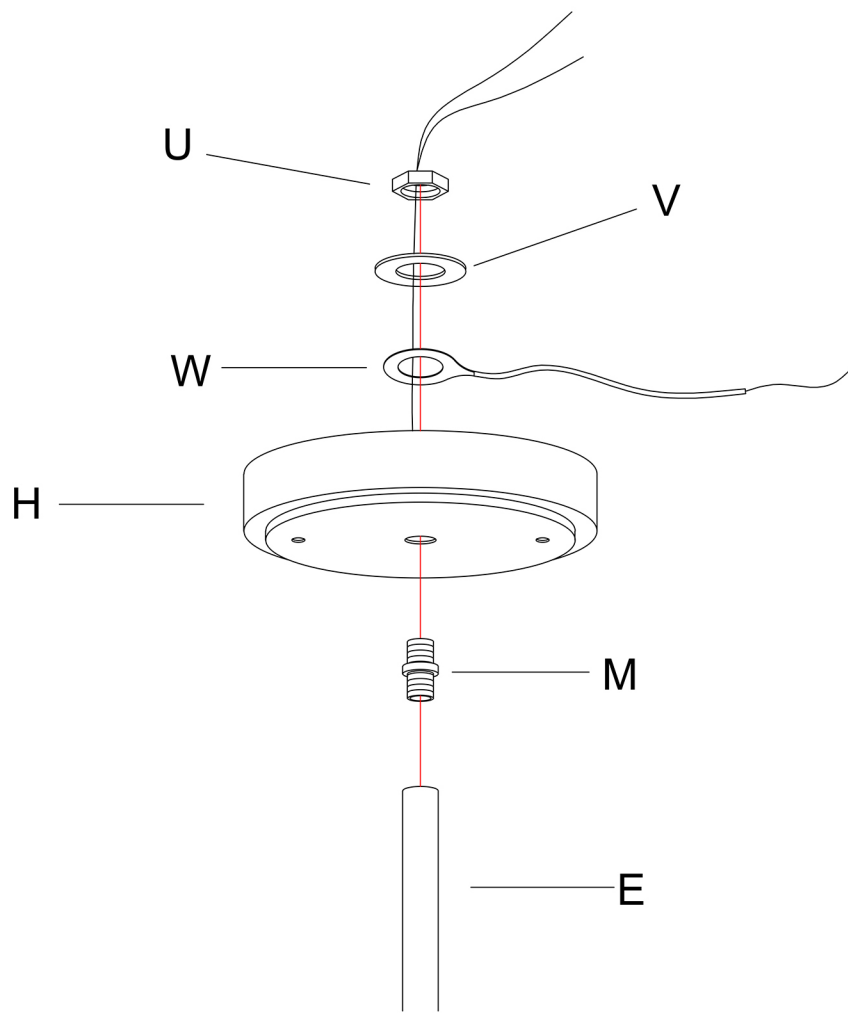
## Step 5

P.5/6

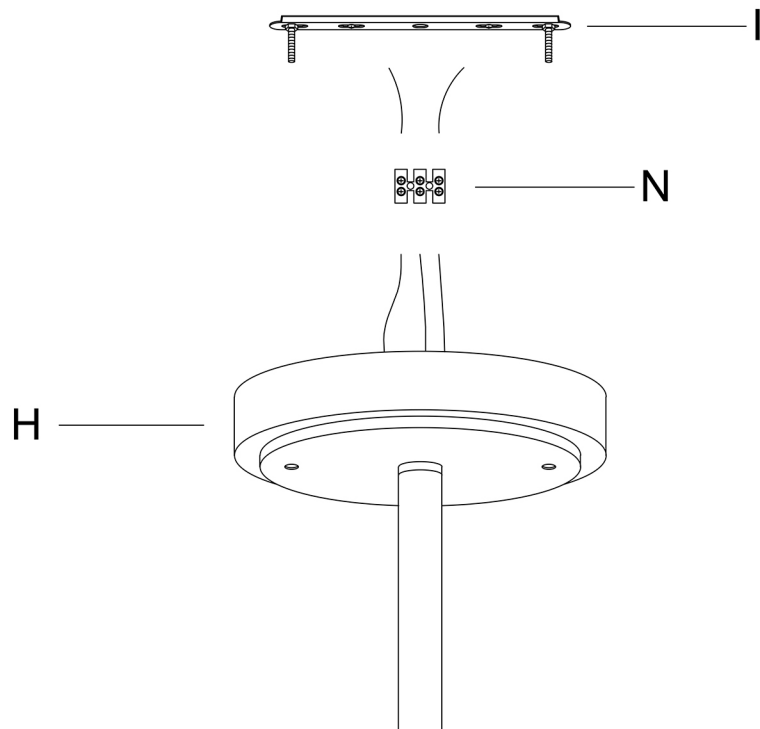
U  x1

V  x1

M  x1

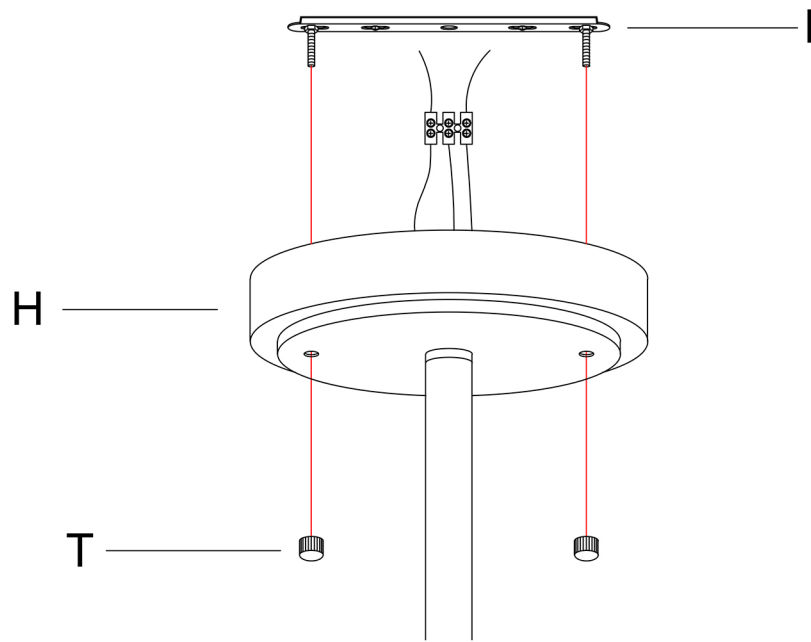


## Step 6



# Step 7

T  x2



# Step 8

