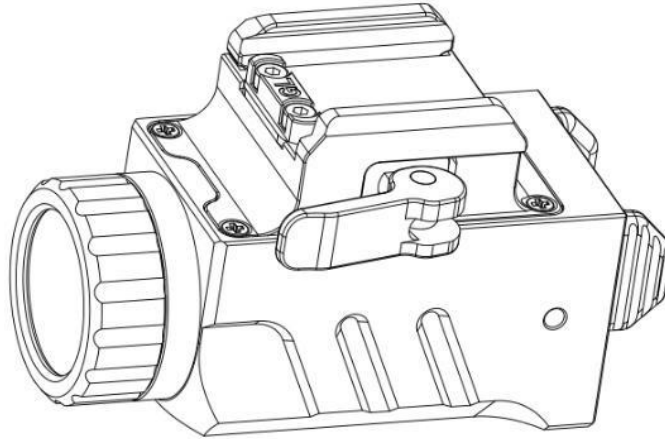


Sofirn PL09 Manual



Thank you for purchasing this Sofirn product.

send email to sofirnlight@gmail.com

if you meet any issues.

The PL09 is a high-performance tactical light that is not only bright but also equipped with many other great features. Designed with dual buttons, it allows you to quickly start the light with easy press. The rail mount on the PL09 weaponlight is compatible with most Picatinny rails on the market, allowing various rail configurations. Moreover, its adjustable sliding rail enables it to slide back and forth freely to fix the light in the desired position. A great choice for home defense, hunting, and law enforcement.

ANSI/NEMA FL1 Chart

Modes	Turbo	Strobe	Note
Luminous Flux	1600lm	1600lm	The above mentioned parameters are based on tests according to international flashlight testing standards (ANSI/NEMA FL1). Results may vary under different environmental conditions.
Beam Distance	212m	-	
Runtime	1h	-	
Peak Intensity	11250cd	-	

IMPACT RESISTANCE	1m / 3.28ft
WATER RESISTANCE	IP66

Specifications

- ❖ Emitter: High-powered LED
- ❖ Battery Option: Built-in lithium-ion polymer battery
- ❖ Working Voltage: 3V-4.2V
- ❖ Maximum Charging Current: 1A
- ❖ USB Type-C charging
- ❖ Tail Dual E-Switch
- ❖ Material: AL6061-T6 aluminium alloy
- ❖ Water Resistance: IP67 waterproof
- ❖ Size: 66.9*33.5*40.4*mm
- ❖ Weight: 91g
- ❖ Low Voltage Protection: Automatically detects battery level when turned on and red indicator flashes when the battery is poor. The flashlight automatically turns off when the battery voltage is critical.

Safety Instructions

- ❖ Keep out of reach of children.
- ❖ PL09 is a powerful weaponlight. Never stare into beam or point it directly at a person, or moving vehicles. Doing so could cause retinal damage.
- ❖ Operating PL09 for a long time in high powered modes will quickly heat up the flashlight. This is normal.
- ❖ To prevent damage, avoid hitting or dropping the light.
- ❖ The battery is already installed. Please do not attempt to remove the battery.

Battery Level Indicator

After turning on the PL09, the red indicator flashes when the battery level is lower than 25%, which reminds you to get it recharged in time.

Equipped with a Type-C charging port, the charging current is up to 1A, and it takes about 1 hour to fully charge.

Light Indicator When Charging

Red = Charging

Green = Fully Charged

General Operation

ON/OFF: Press either button to turn the light on/off.

DIRECT ACCESS TO TURBO: When the light is off, press either button to Turbo. For momentary on, when the light is off, press and hold either button for more than 0.3 seconds. Let go of the button to turn it off.

DIRECT ACCESS TO STROBE: In either mode (not in lockout mode), fast double press either button to activate Strobe. Single press either button to go back to the last used mode.

LOCKOUT: When the weaponlight is off, press and hold the two buttons at the same time for 3 seconds, the green indicator flashes twice to indicate that it is in lockout mode. This way, pressing any button will cause nothing to happen, but the green indicator flashes twice to remind you.

UNLOCK: When the flashlight is off, press and hold the two buttons at the same time for 3 seconds to disable the lockout mode and turn the light on.

Troubleshooting and Maintenance

- ❖ Disassembling the sealed head can damage the flashlight and voids the warranty.
- ❖ Every 6 months threads should be wiped with a clean cloth followed by a thin layer of silicone grease.
- ❖ To maintain a proper level of waterproofness, replace worn-out o-rings with an approved spare.

If the above methods do not work please refer to the warranty policy before contacting your authorized distributor.

Sofirn Limited:

Web: www.sofirnlight.com

E-mail: us@sofirnlight.com sofirnlight@gmail.com

Please contact us if you have any questions.

If your product is defective please contact us for replacement within warranty period.

Manufacturer: Shenzhenshi Jinba Technology Co.,Ltd

Address: 1/F to 9/F, 1st Building, NO.110 Tenglong Industrial Center, Guanlan Street,
Longhua New District, Shenzhen 518000, China