

## IMPORTANT! KEEP THIS DOCUMENT FOR LATER REFERENCE! READ CAREFULLY!

### Proper Use

- This gazebo is suitable for long-term use.
- **It is not intended to protect from snow. We recommend removing roof panels in winter.**
- This item is intended for domestic use only and is not suitable for commercial use.



### Safety Notes

- Risk of suffocation / injury! Do not allow children to play with the packaging. They could suffocate in the packaging film or injure themselves at the outer packaging.
- Some parts may be sharp-edged. Keep this in mind when assembling and, if necessary, wear protective gloves.
- Start by screwing connections slightly. Only tighten screws completely once all screws are in place.
- Take safety measures in case of approaching wind or storm as the large surface area will catch wind easily. Otherwise gazebo might be caught by a gust of wind and blown over. This could cause injury or damage, or could damage the gazebo itself.
- Gazebo can be made more secure by anchoring the feet to the base (screws and plugs).
- This gazebo is not a toy. Children could be injured if it falls down. Children should be supervised when inside or near the gazebo.
- Do not hang anything on the gazebo's transversal poles, and absolutely do not use them to do chin-ups. Do not lean anything against gazebo.
- The gazebo can protect your skin from direct UV rays but not from reflected UV rays. Therefore use additional sun protection.



### Fire Hazard!


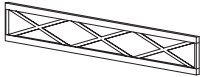
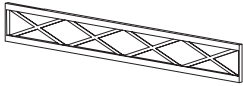










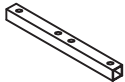

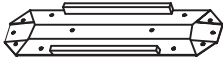


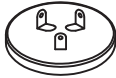


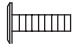


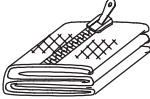
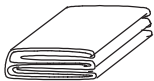
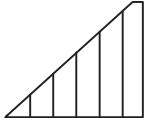
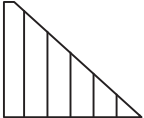
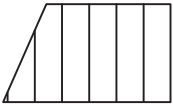

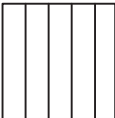
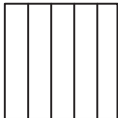
- Never light open fire near or inside gazebo (e.g. garden torches, barbecues). Gazebo could catch fire or be damaged by flying sparks. Keep gazebo away from intensive heat sources such as patio heaters, barbecues etc.

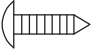

### Maintenance and Storage

- To clean, it is best to use a soft brush and a small amount of a soapy solution.
- Regularly check all bearing parts such as poles, screws etc.
- Check all metal parts at least once a year for corrosion, and if necessary, condition them.
- If you want to dismount gazebo, store poles and roof panels in a dry, well-ventilated place during winter.

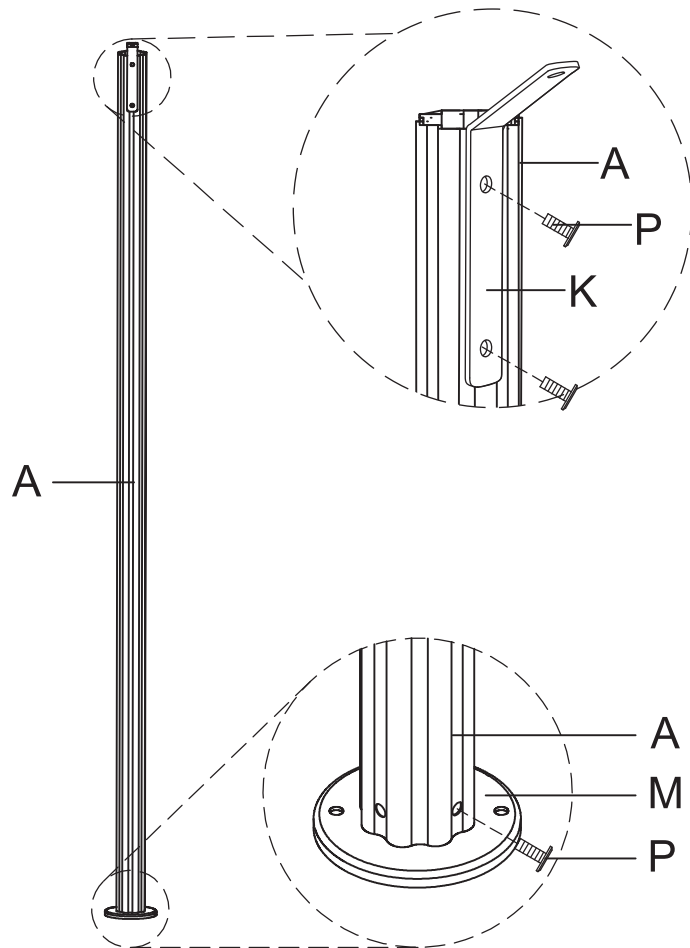
### Excluded from warranty are:

- Normal wear and tear, and changes to the colour.
- Damage to finish caused by normal wear and tear
- Damage due to wind, collapsing, or environmental influence.
- Damage due to improper or non-designated use.

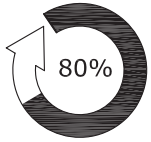
			
A	B	B <sub>1</sub>	C
4 PCS	4 PCS	4 PCS	4 PCS
			
C <sub>1</sub>	D	E	F
4 PCS	4 PCS	6 PCS	2 PCS
			
F <sub>1</sub>	F <sub>2</sub>	G	G <sub>1</sub>
4 PCS	4 PCS	2 PCS	4 PCS
			
G <sub>2</sub>	H	I	J
4 PCS	8 PCS	1 PC	1 PC
			
K	L	M	N
4 PCS	6 PCS	4 PCS	4 PCS
			
O	P	Q	R
6 PCS	121 PCS	4 PCS	96 PCS
			
S	T	U	V
4 PCS(SET)	4 PCS(SET)	4 PCS	4 PCS
			
W	X	Y	Z
4 PCS	4 PCS	2 PCS	2 PCS

					
1		2			
16 PCS		8 PCS			

**1**

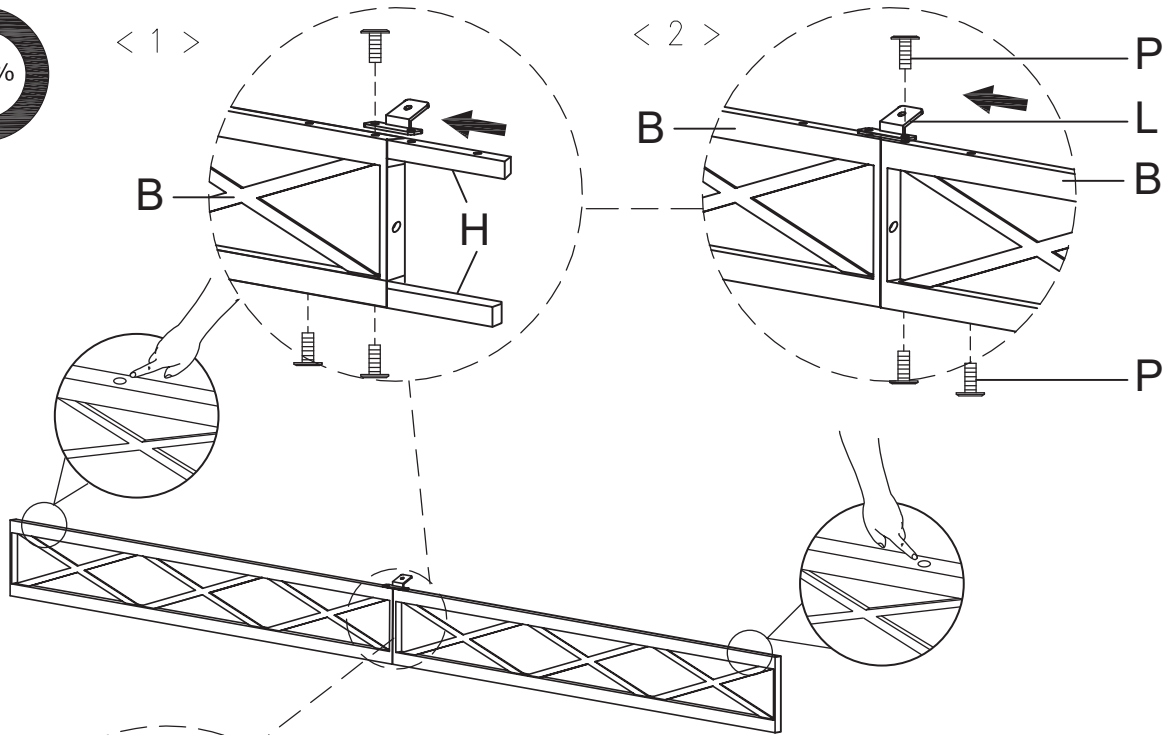


2

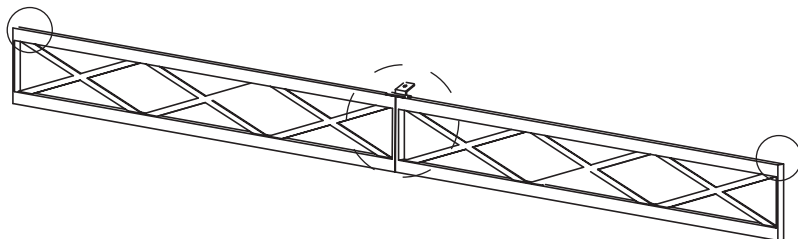
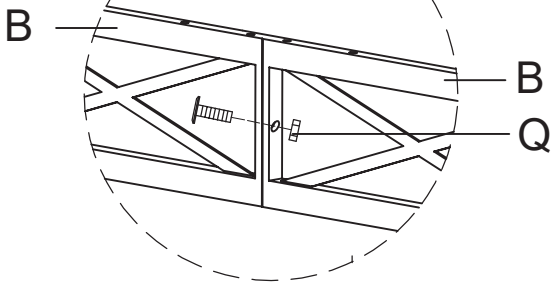


< 1 >

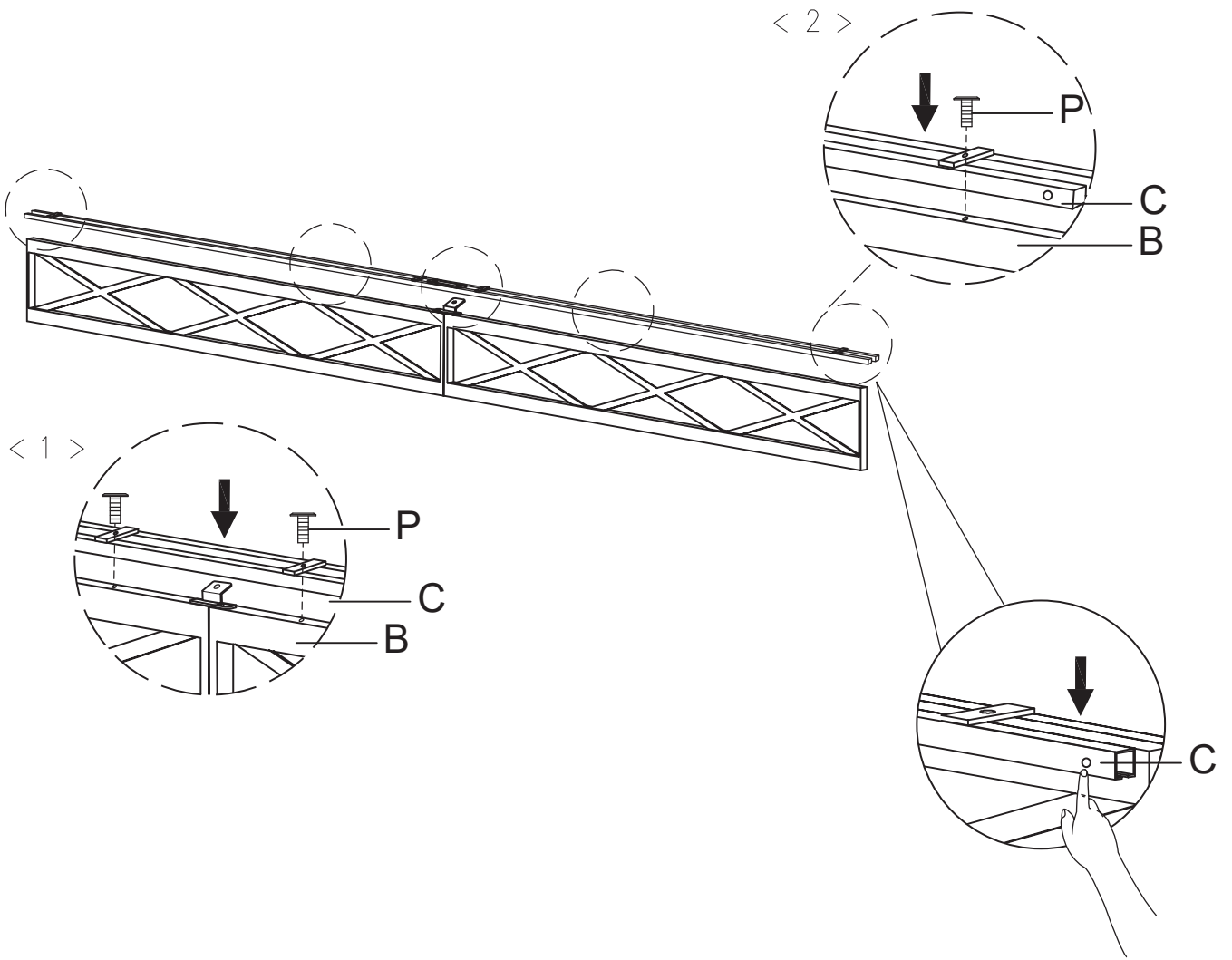
< 2 >



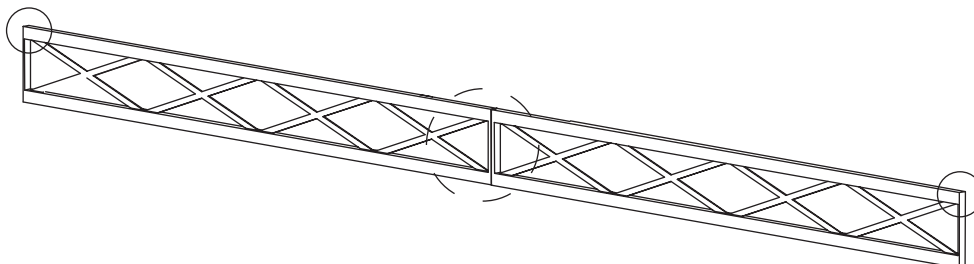
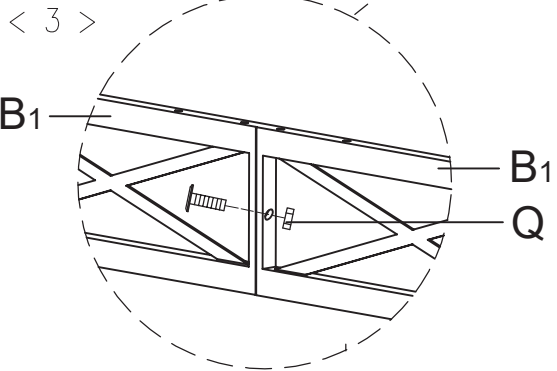
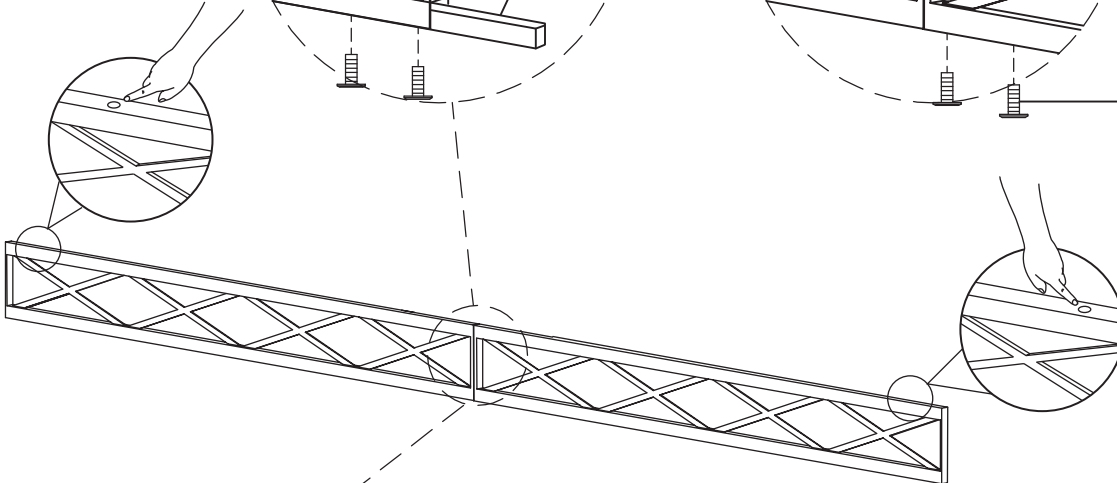
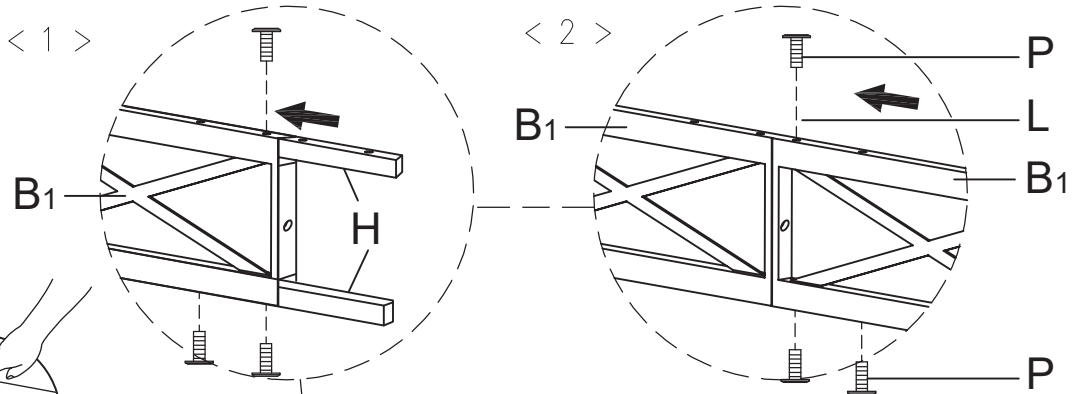
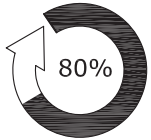
< 3 >



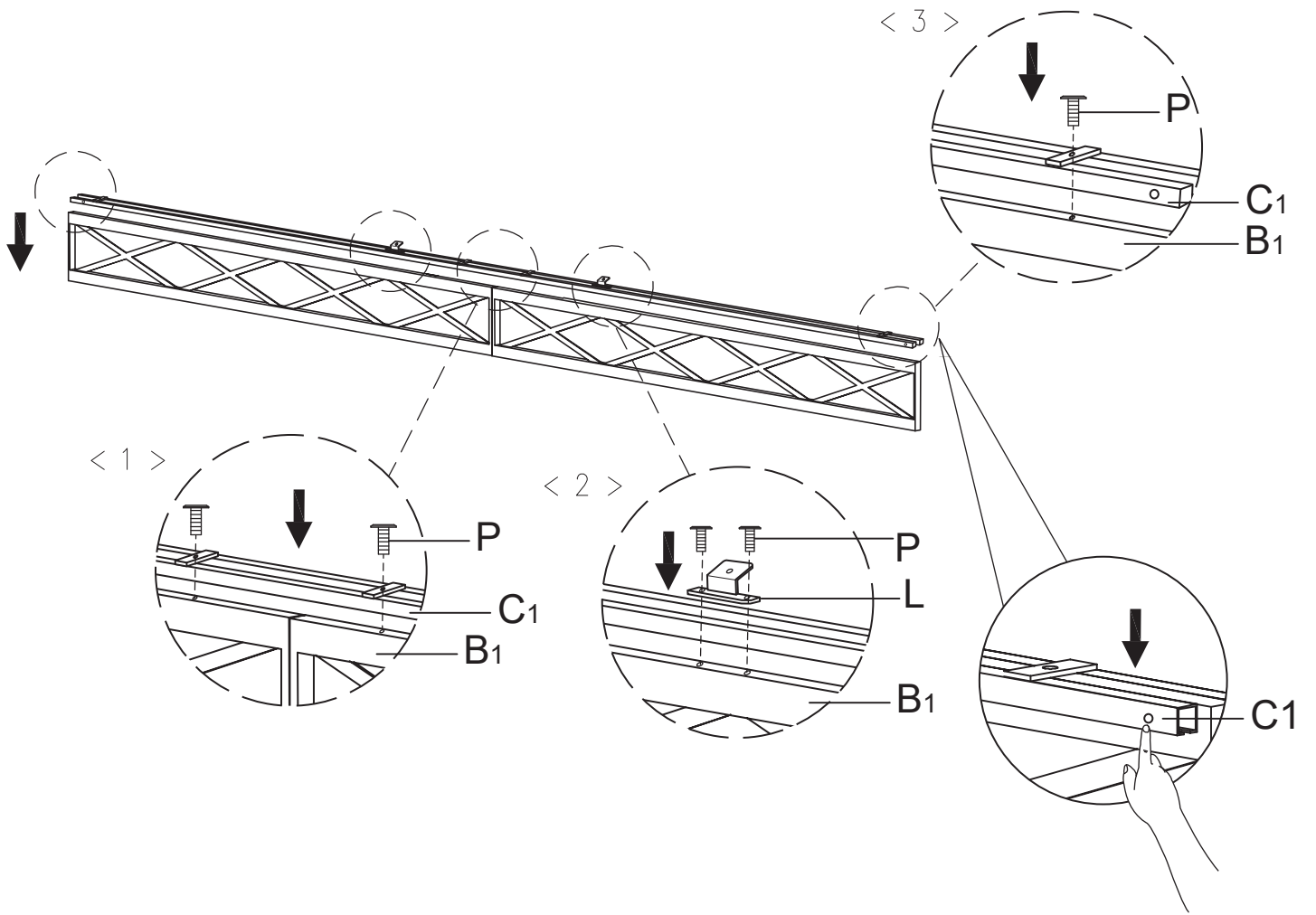
**3**



4

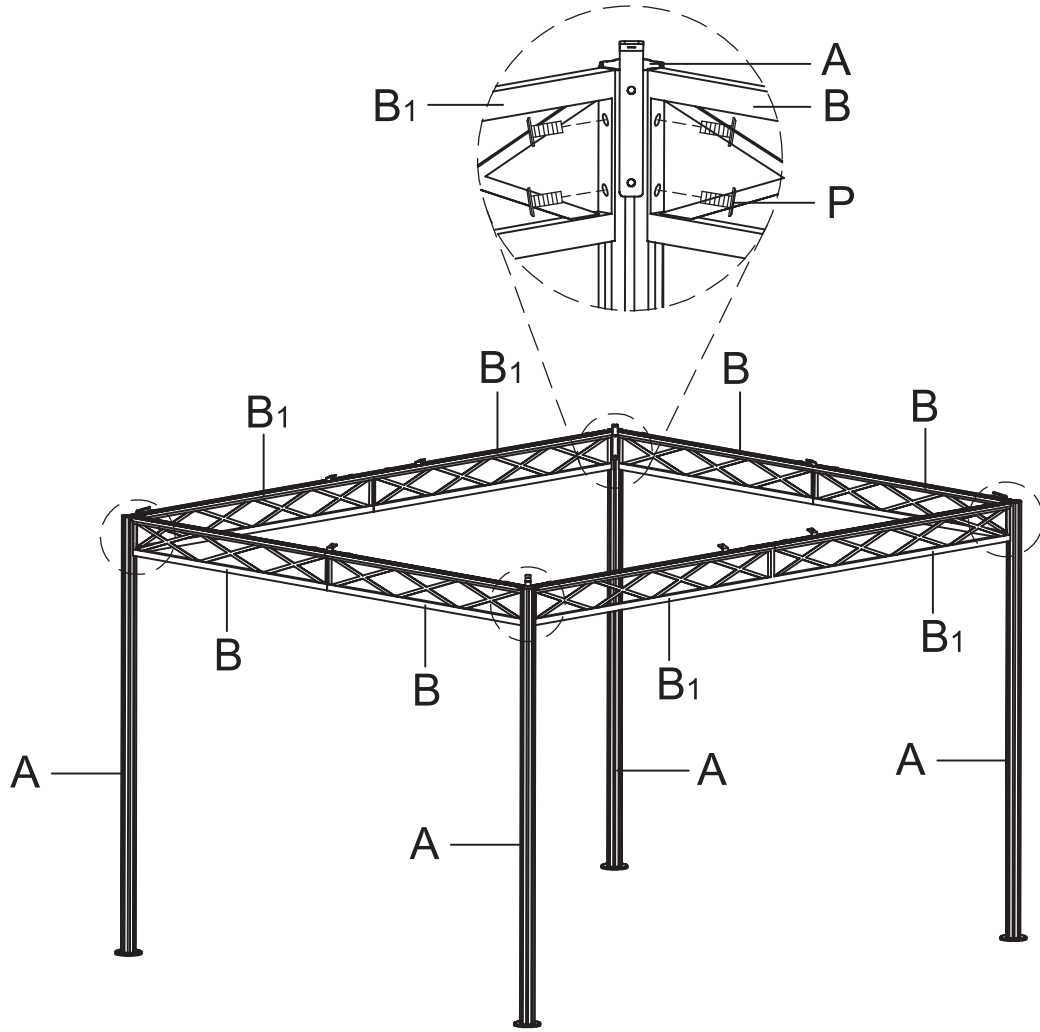


5



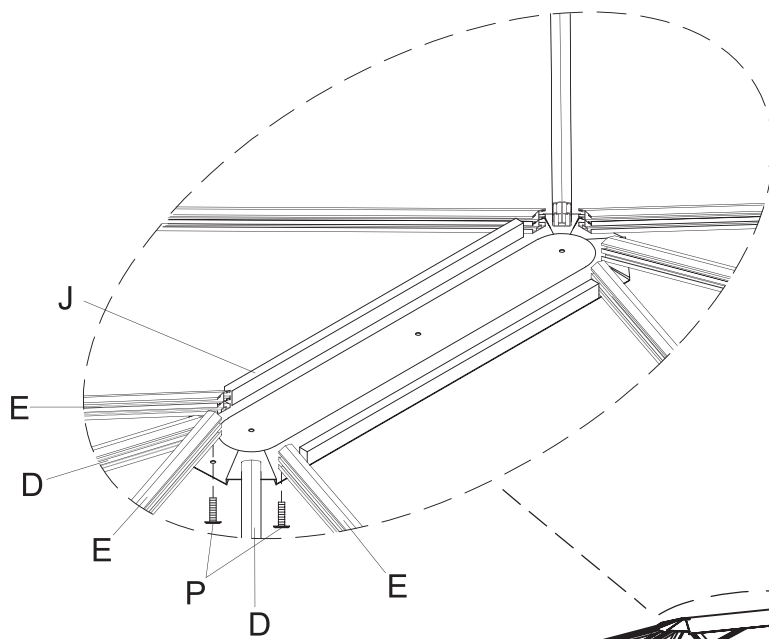


6

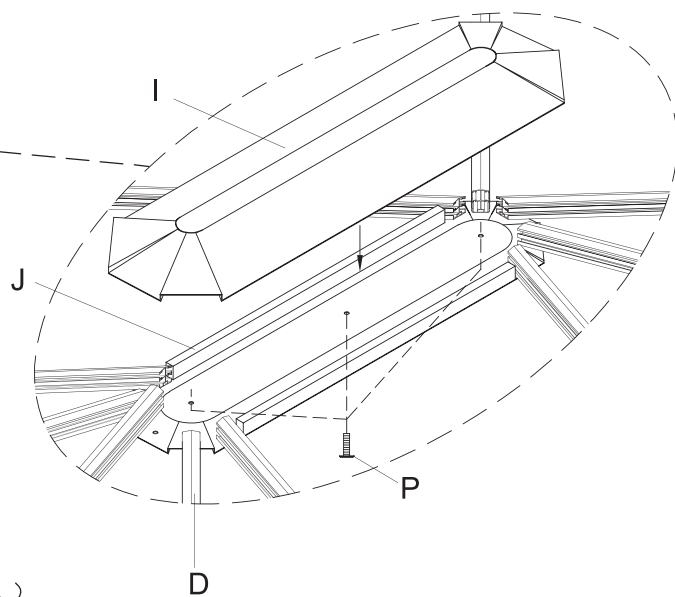


7

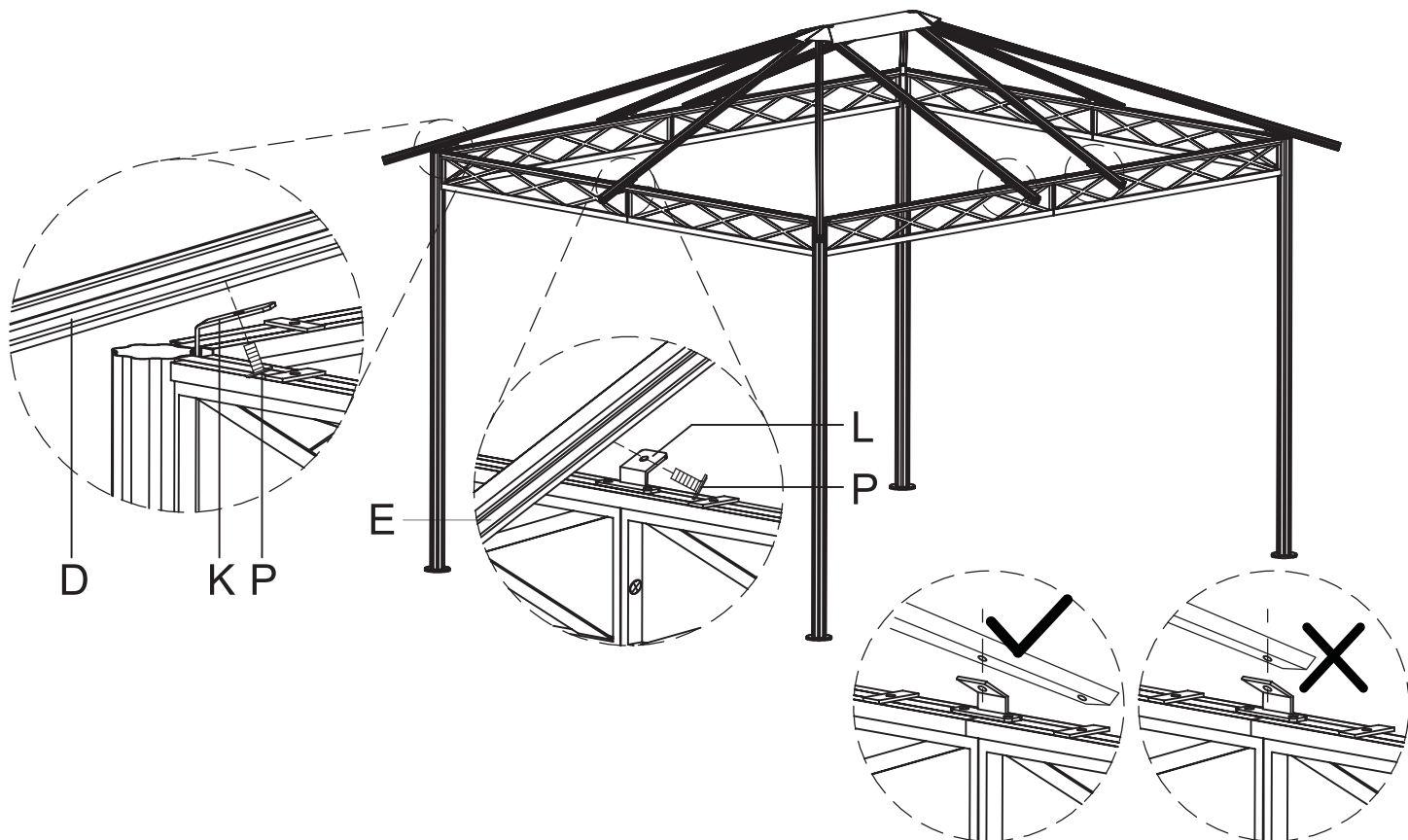
< 1 >



< 2 >



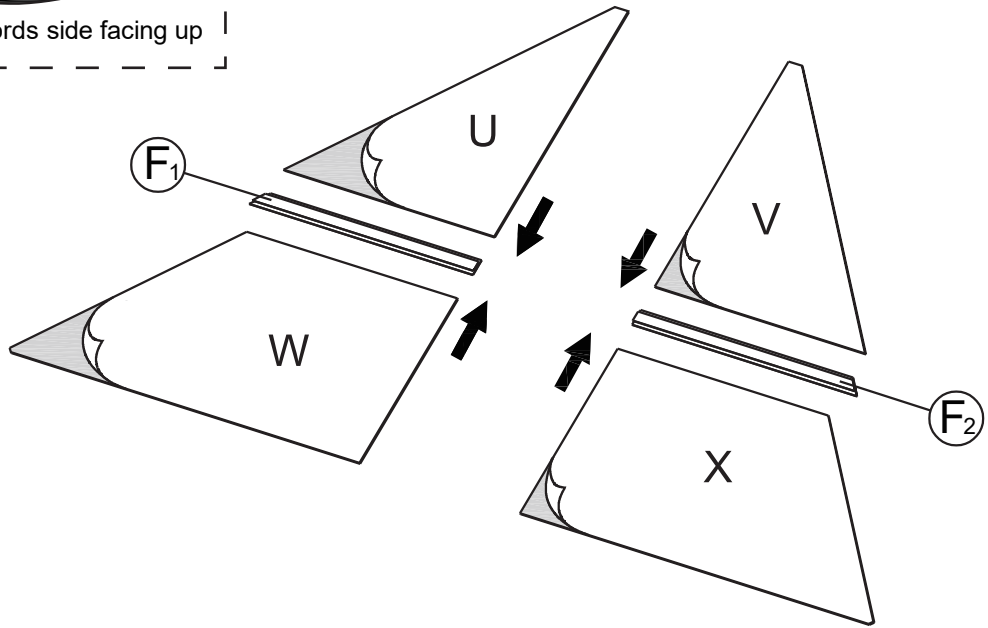
8



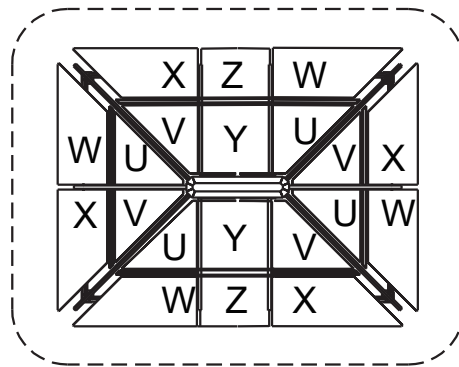
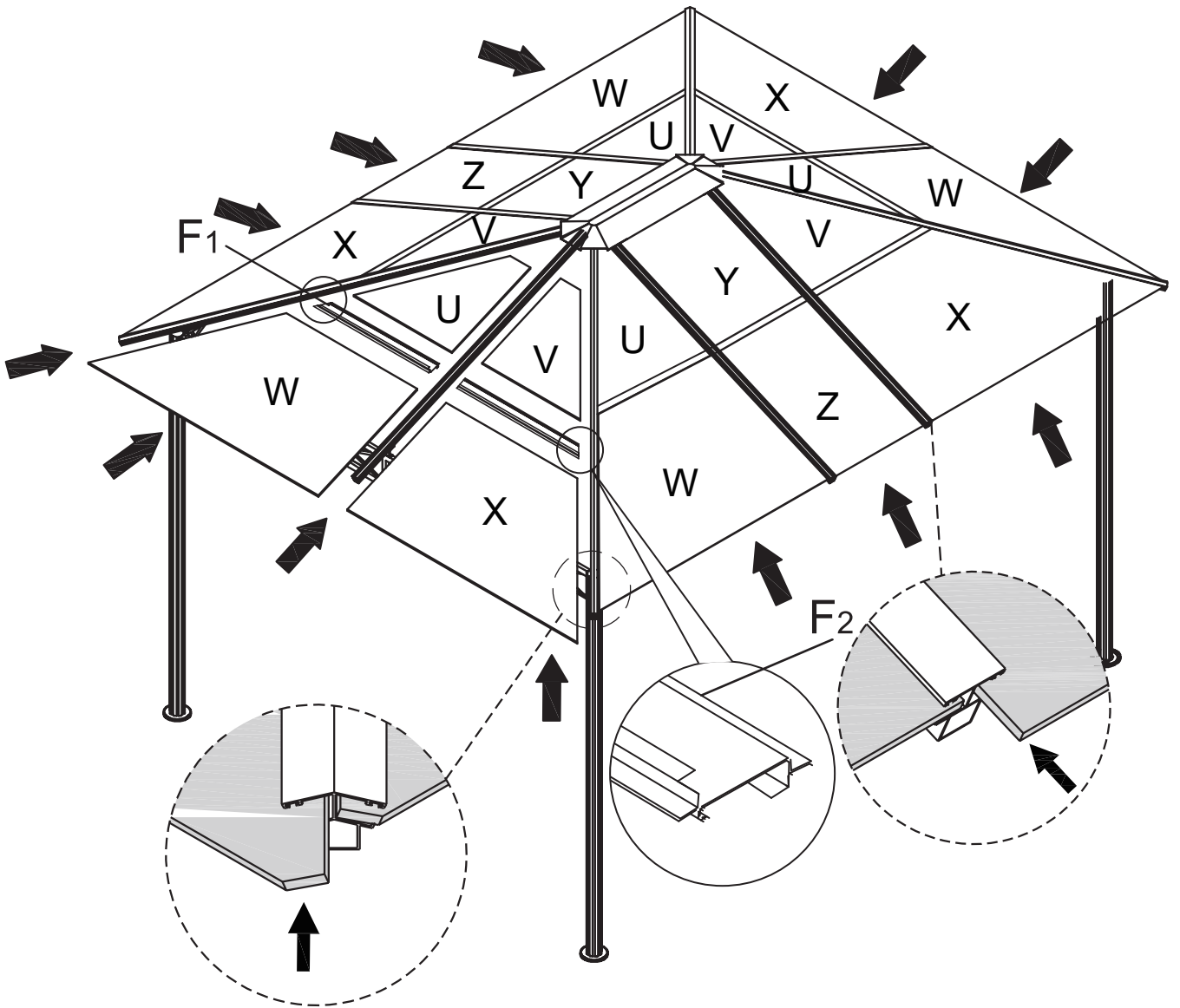
9

Expose this side to sunlight  
Exposez ce côté au soleil

Keep these words side facing up

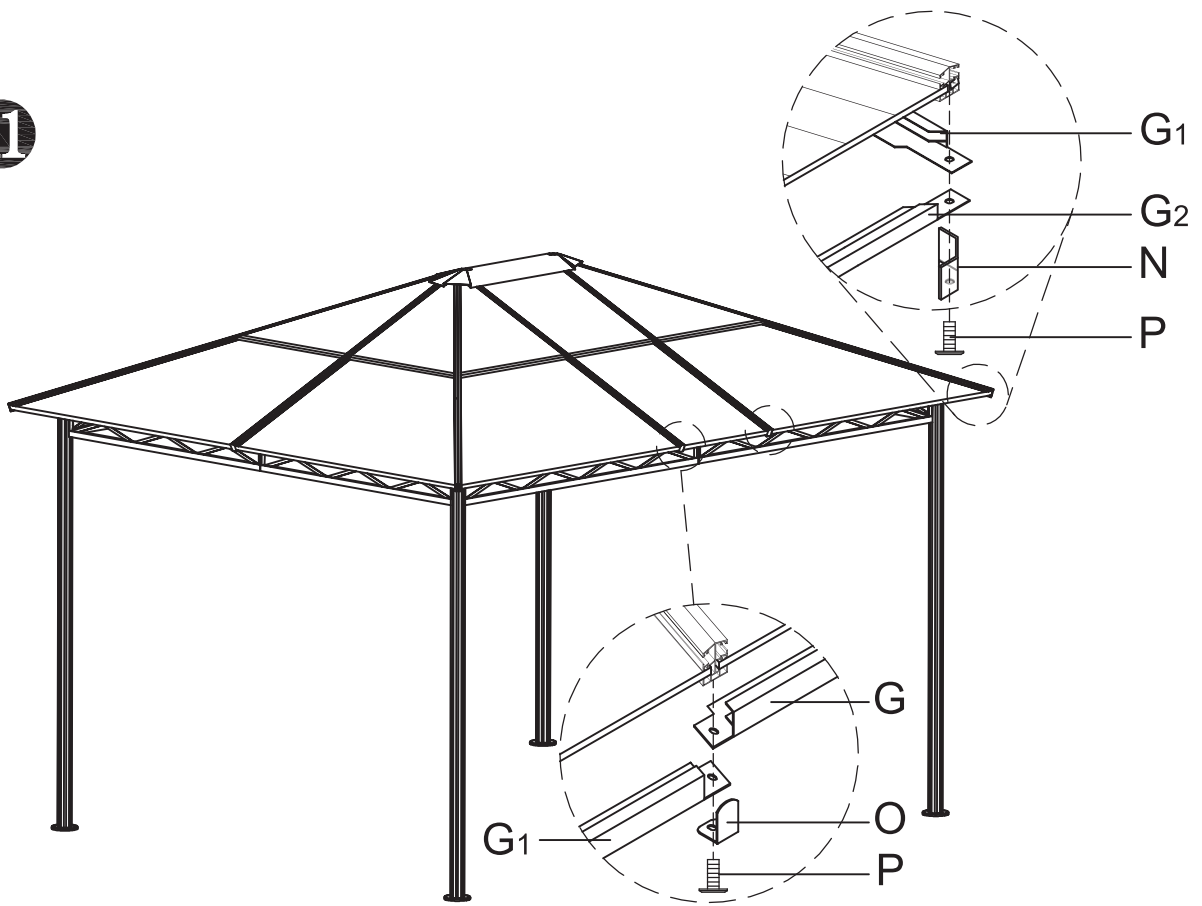


10

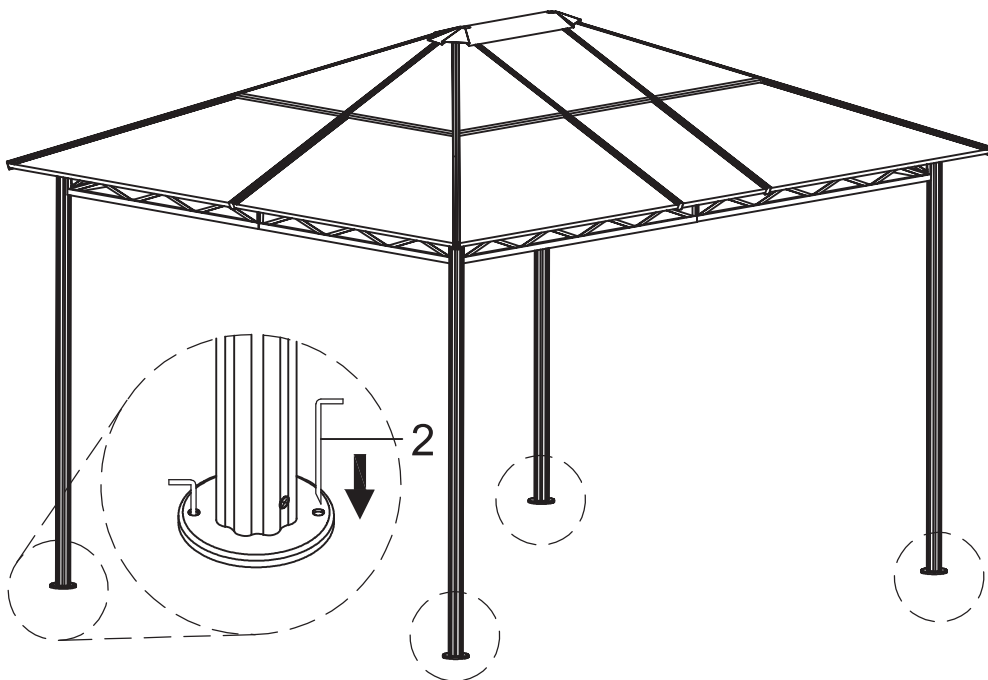


Top view

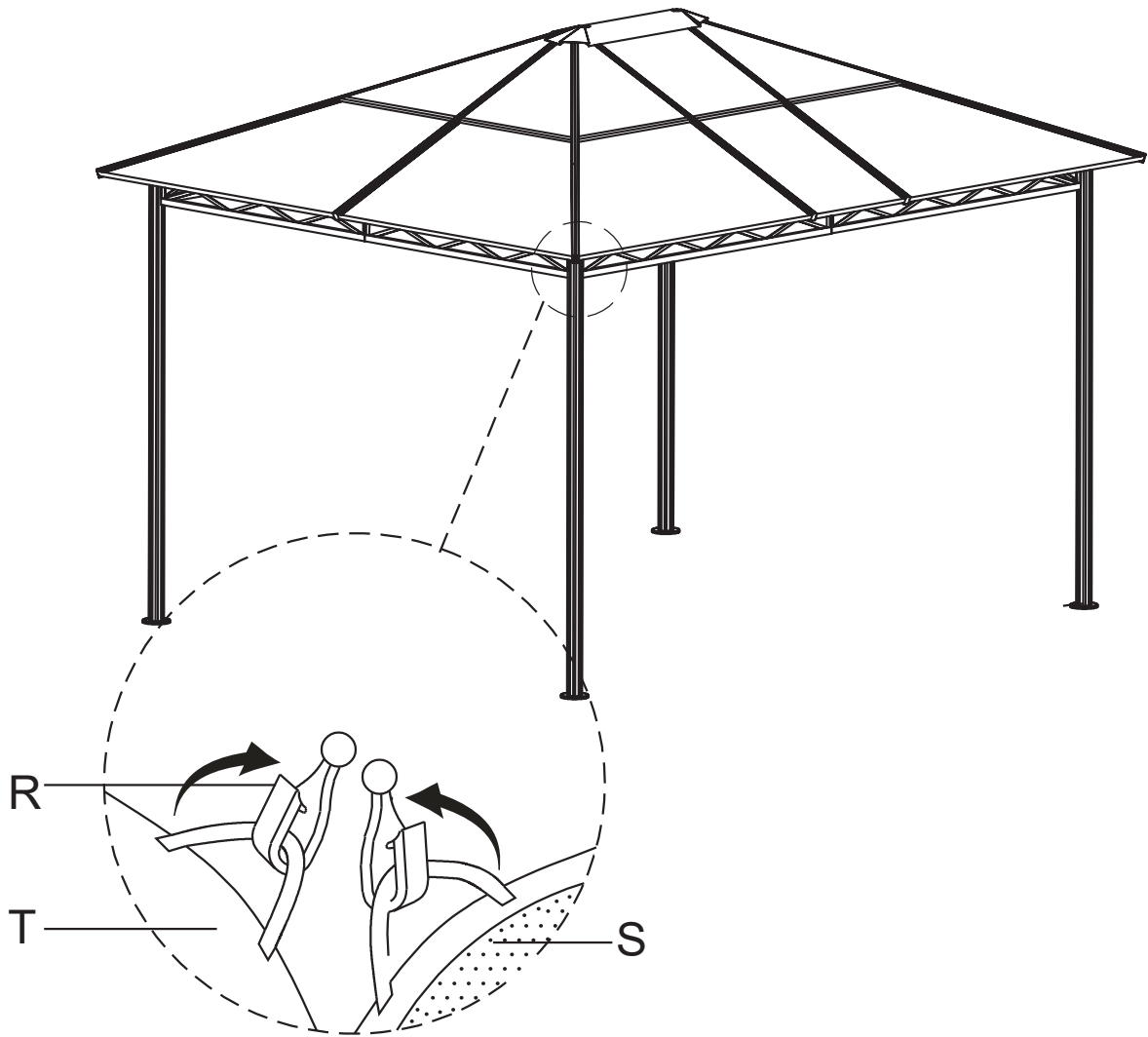
11



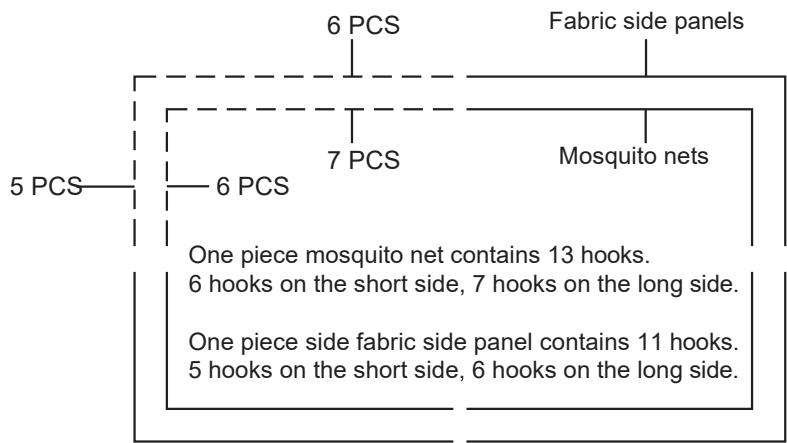
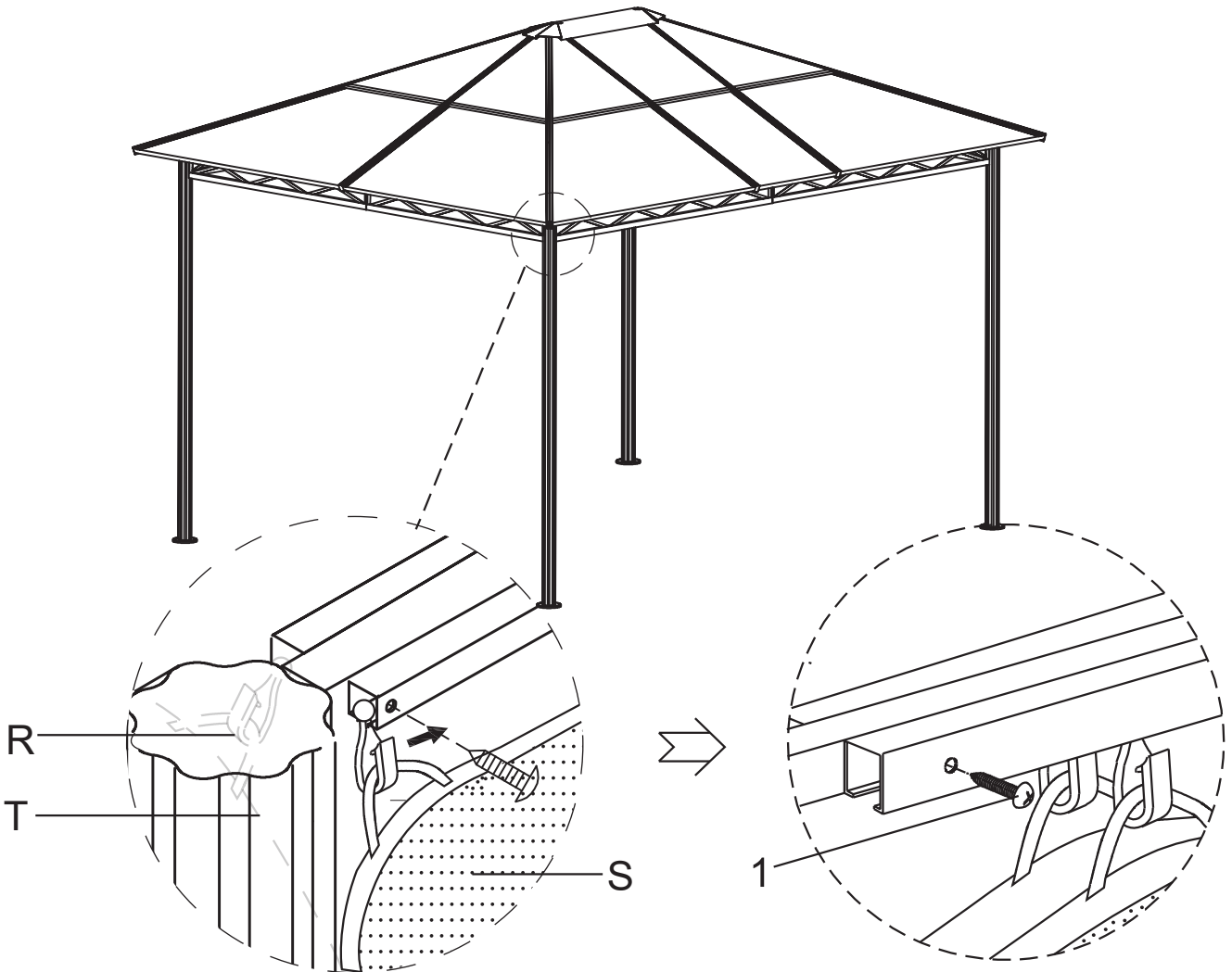
12



13

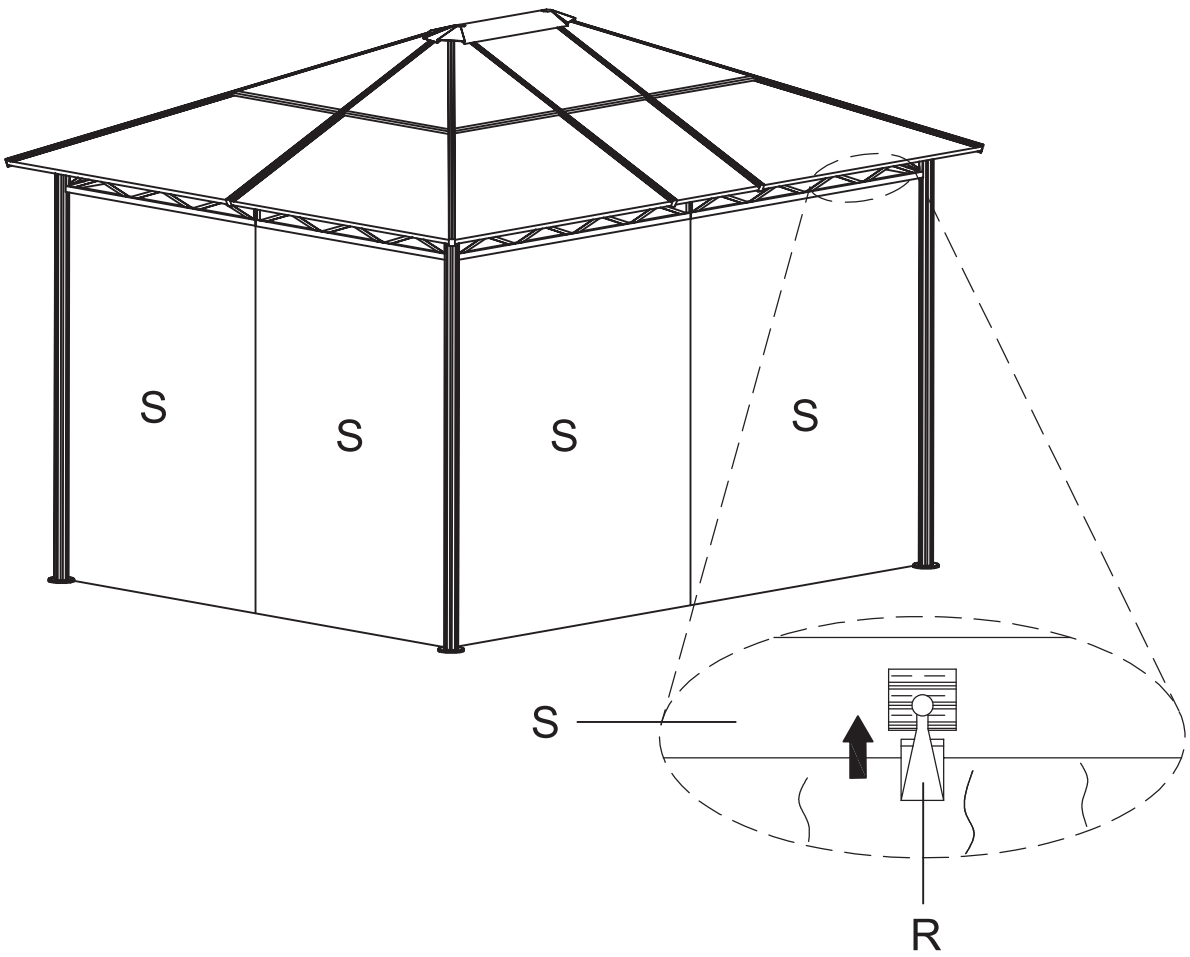


14





15



16

