

# Chandelier

# Contents

## Before Use

Important Safety Instructions..... 03

Warning..... 03

## Installation Guide

Assembly Instructions..... 03

Parts List..... 04

Accessories List..... 05

Exploded Views..... 06

Installation Steps..... 07

## Operation

Care and Maintenance..... 12

Trouble Shooting..... 12



## Important Safety Instructions

**BEFORE INSTALLING FIXTURE, MAKE SURE THE POWER TO THE CIRCUIT IS TURNED OFF AT THE MAIN FUSE BOX / CIRCUIT BREAKER UTILITY BOX.**

- These instructions are provided for your safety. It is very important that they are read carefully and completely before beginning the assembly and installation of this lighting fixture.
- We strongly recommend that a professional electrician install all direct wire fixtures.
- The lighting fixture is meant for indoor use. **DRY LOCATION ONLY**
- It must be connected only to 3-wire, single-phase electrical supply systems.  
(provided with ground wire or equivalent protection system)

For your safety, it is strongly recommended that two people install the lighting fixture.

## Warning

To reduce the risk of fire, electrical shock or personal injury, always turn off light fixture and allow it to cool prior to replacing light bulb.

Do not touch bulb when fixture is turned on. Do not look directly at lit bulb.

Keep flammable materials away from lit bulb.

## Assembly Instructions

· Read these instructions carefully and keep for future reference. Refer to parts inventory for guidance, and ensure you have all pieces before starting.

· **When assembling place all parts on a soft, clean, and flat surface such as a carpet to prevent scratches.**

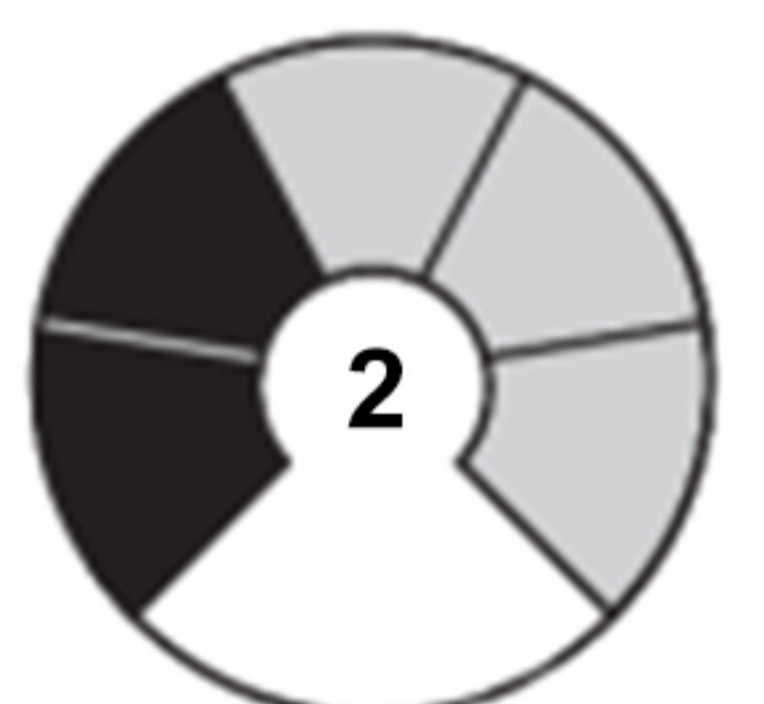


30 min

TIME



2 People



DIFFICULTY

**Do not discard any contents until after assembly is complete to avoid accidentally discarding small parts or hardware.**

### TOOLS YOU MAY NEED



Herringbone  
Ladder



Screwdriver



Marker



Electric Drill



Wrench



Diagonal  
Cutting Pliers



Electrical Tape



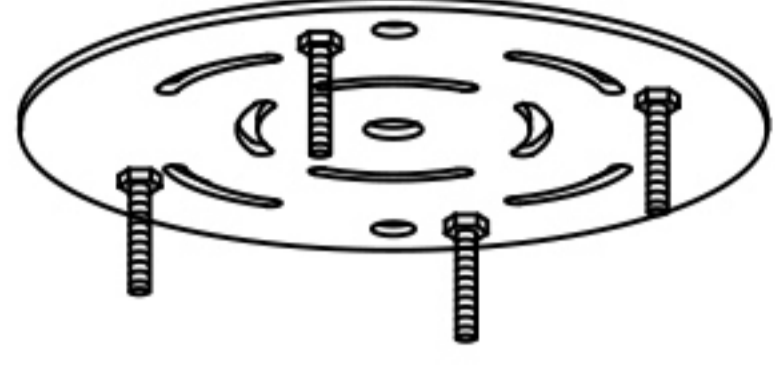
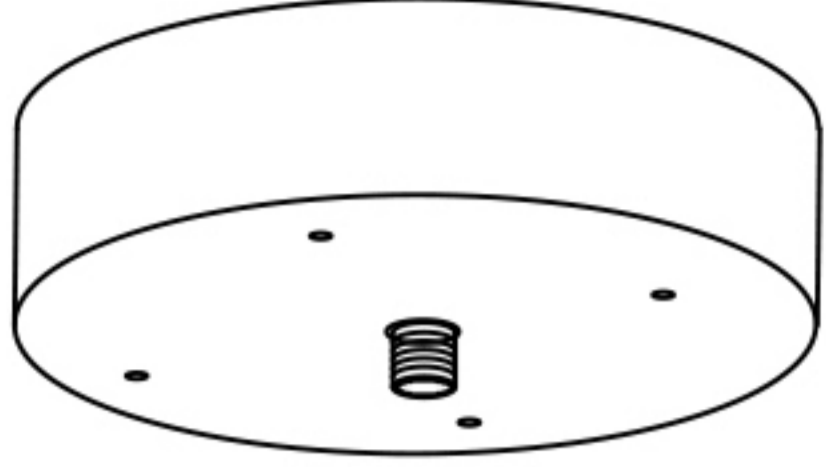

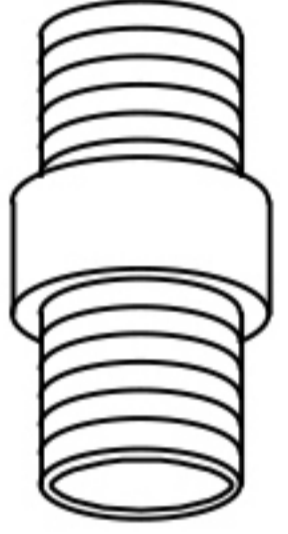
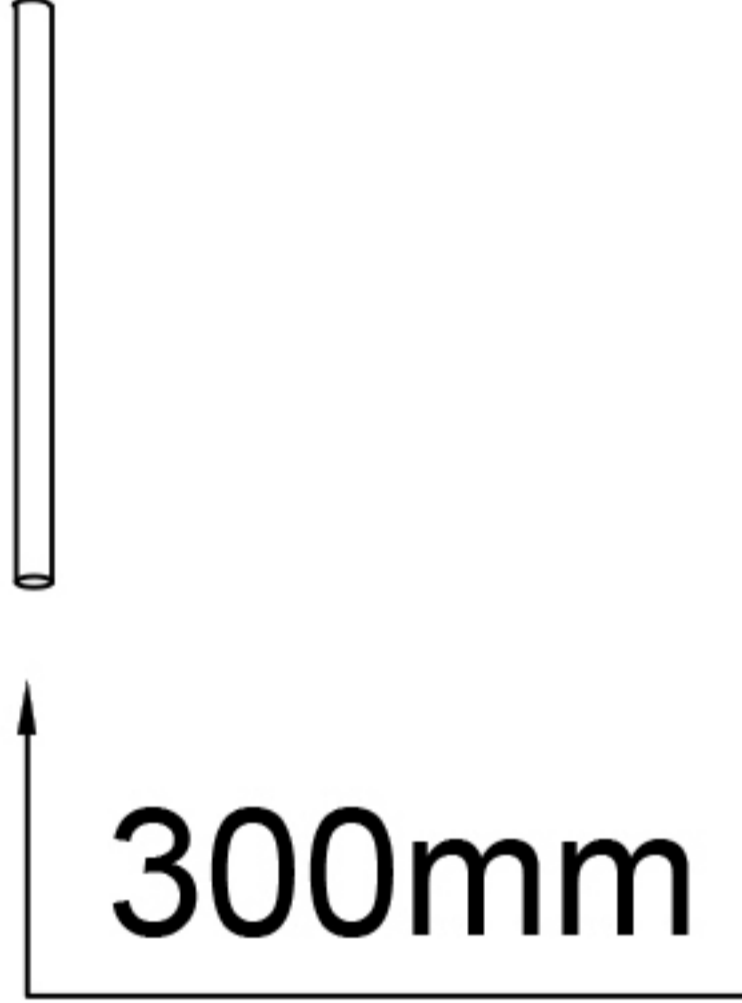
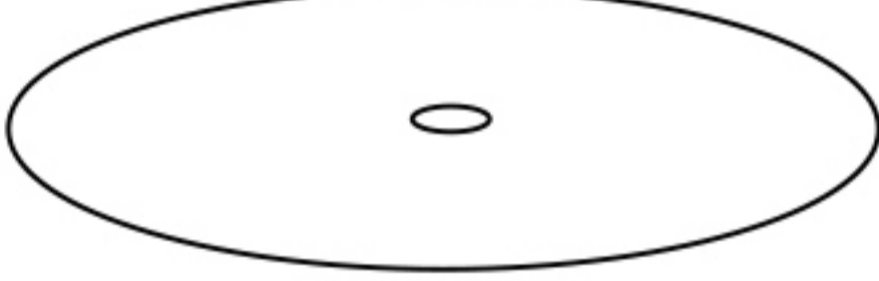
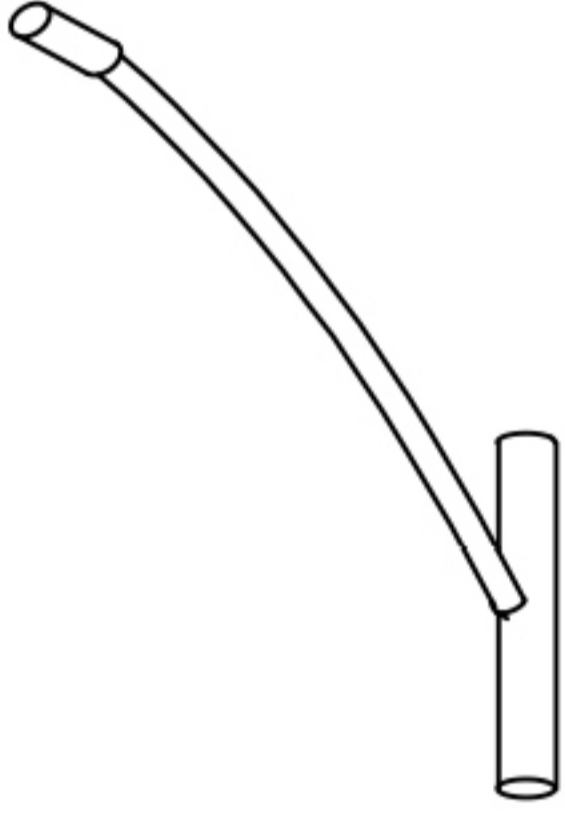
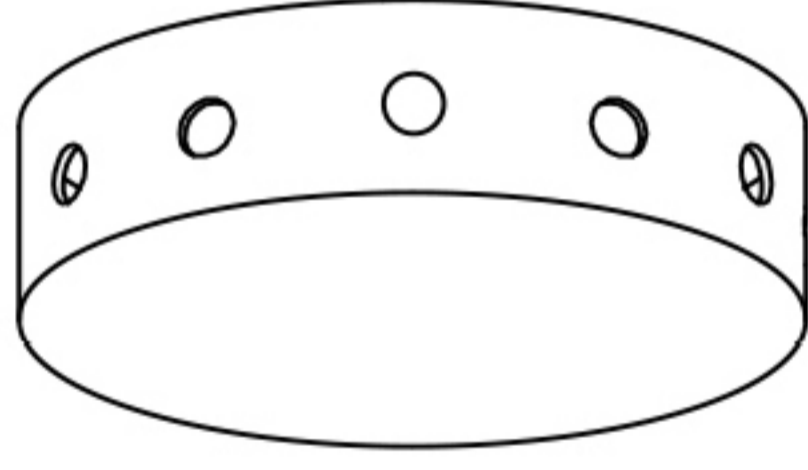
Voltage Tester Pen

**Note: It is required to be sure as follows before installation**

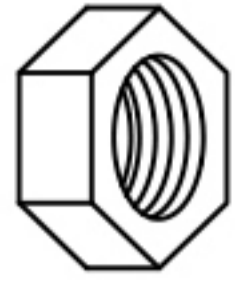


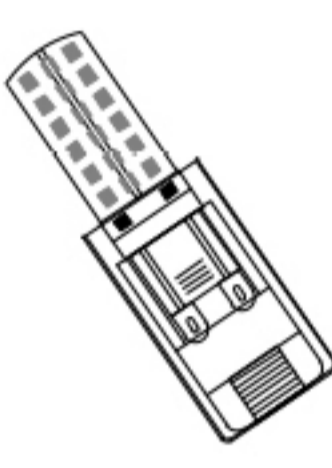

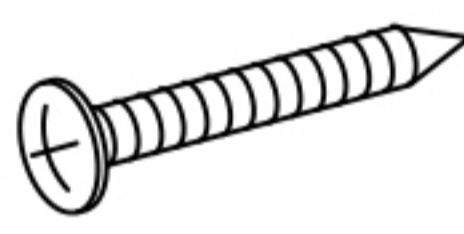
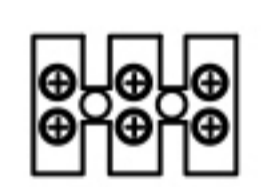
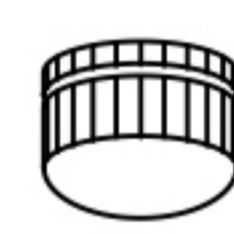
- **The light bulbs shall be tested lit before bulbs are assembled and lamp shades are installed.**
- **The electric wire length needs to be determined in advance.**



# Parts List

<p><b>Ax1</b></p>  <p>Pre installed accessories</p>	<p><b>Bx1</b></p> 	<p><b>Cx1</b></p>  <p>500mm</p>
<p><b>Dx1</b></p> 	<p><b>Ex1</b></p>  <p>300mm</p>	<p><b>Fx1</b></p>  <p>Pre installed accessories</p>
<p><b>Gx12</b></p> 	<p><b>Hx1</b></p> 	

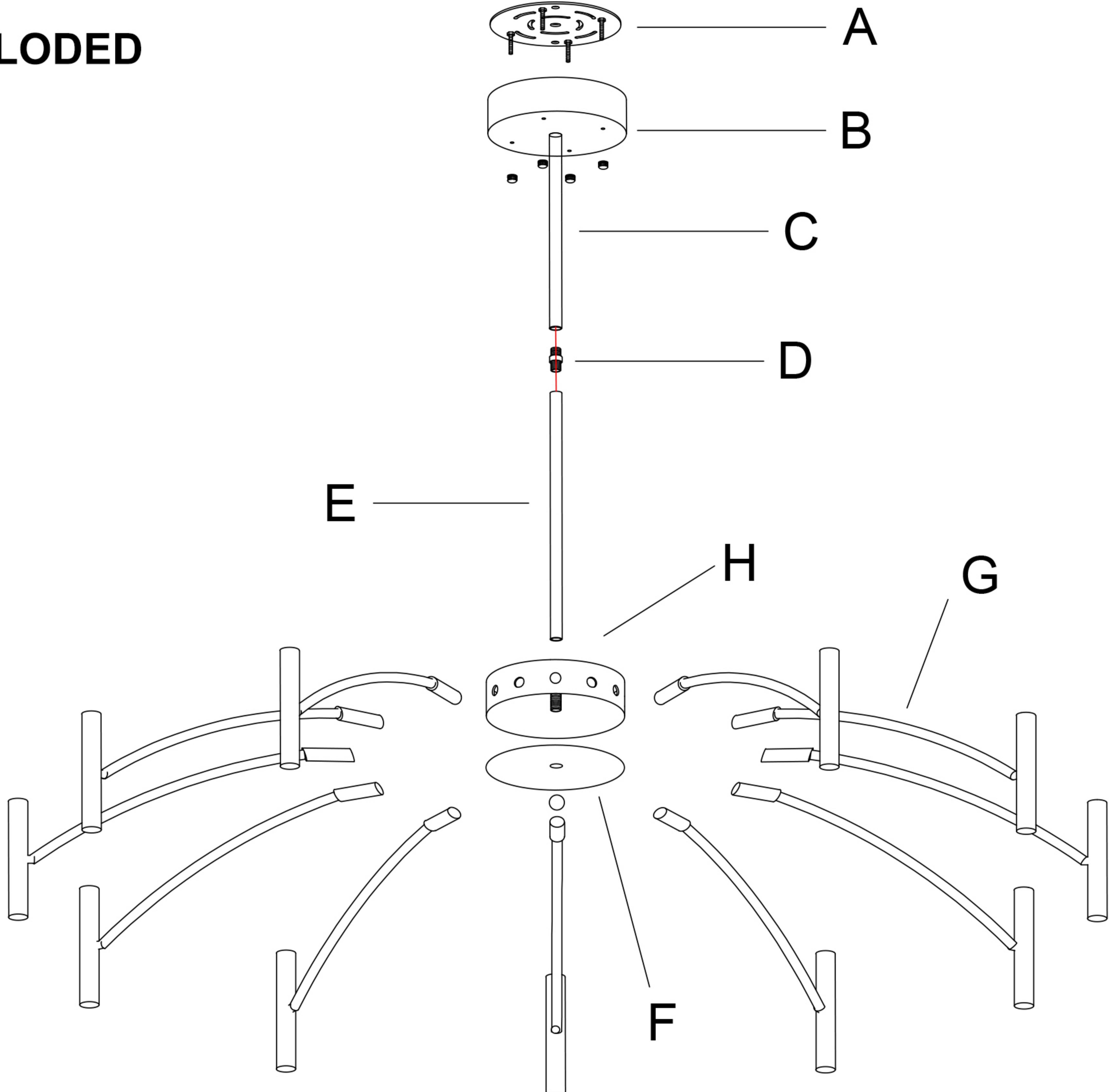
# Accessories List

<p>Ix12</p>  <p>Pre installed accessories</p>	<p>Jx12</p>  <p>Pre installed accessories</p>
<p>Kx2</p> 	<p>Lx12</p> 
<p>Mx4</p> 	<p>Nx4</p>  <p>M4*30mm</p>
<p>Ox1</p>  <p>Pre installed accessories</p>	<p>Px4</p>  <p>Pre installed accessories</p>

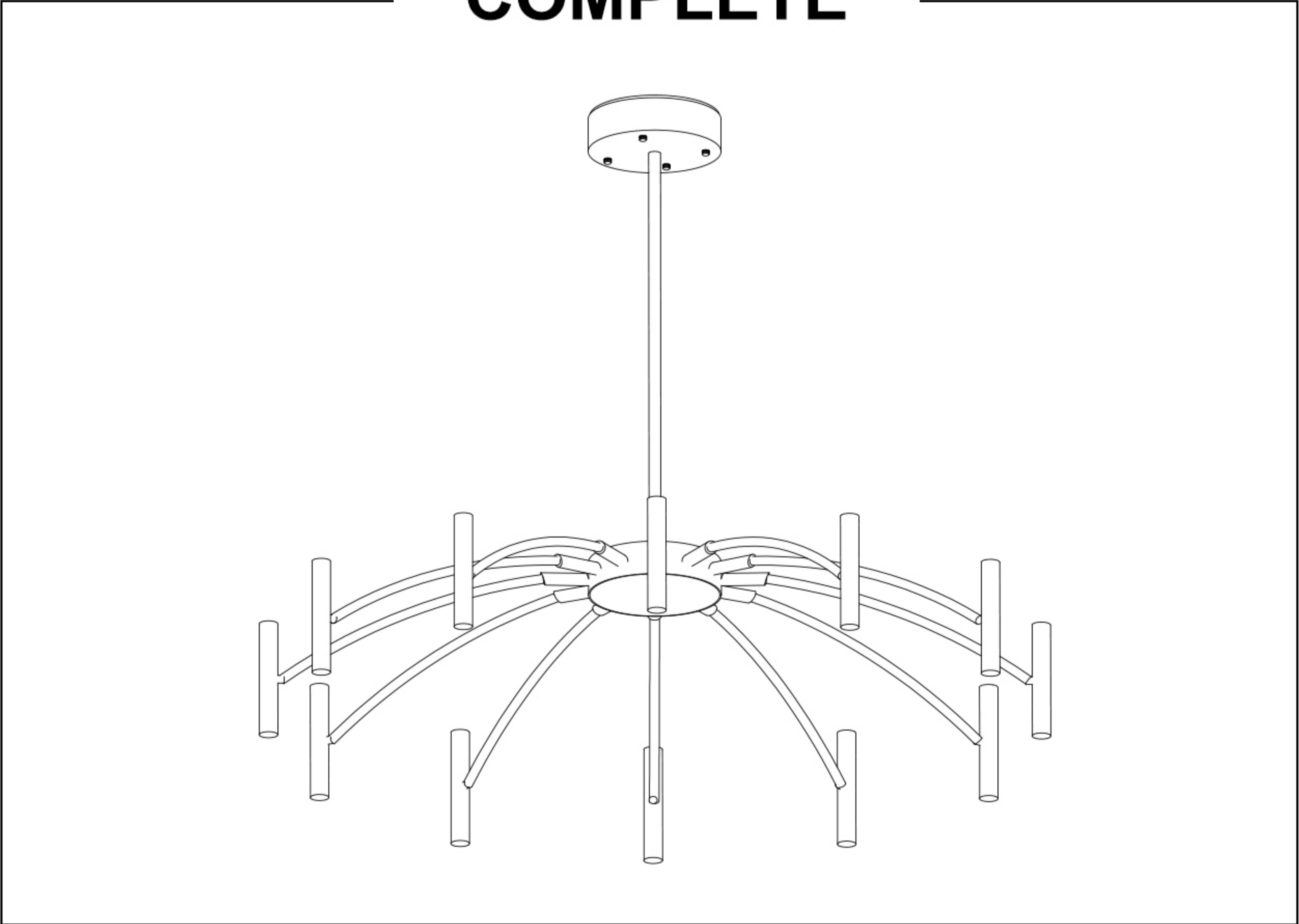


# Exploded Views

**EXPLODED**

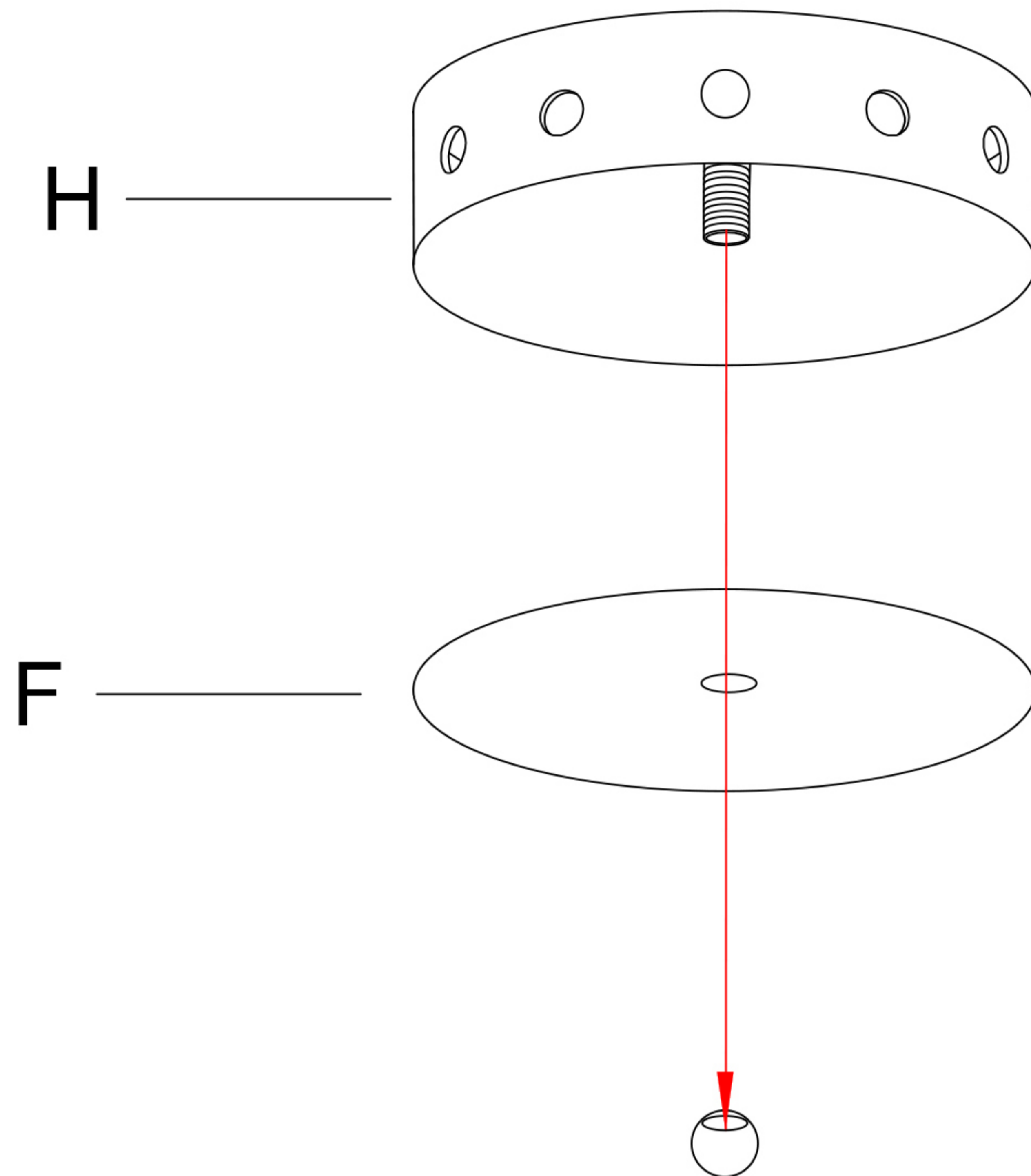


**COMPLETE**



# Installation Steps

## Step 1

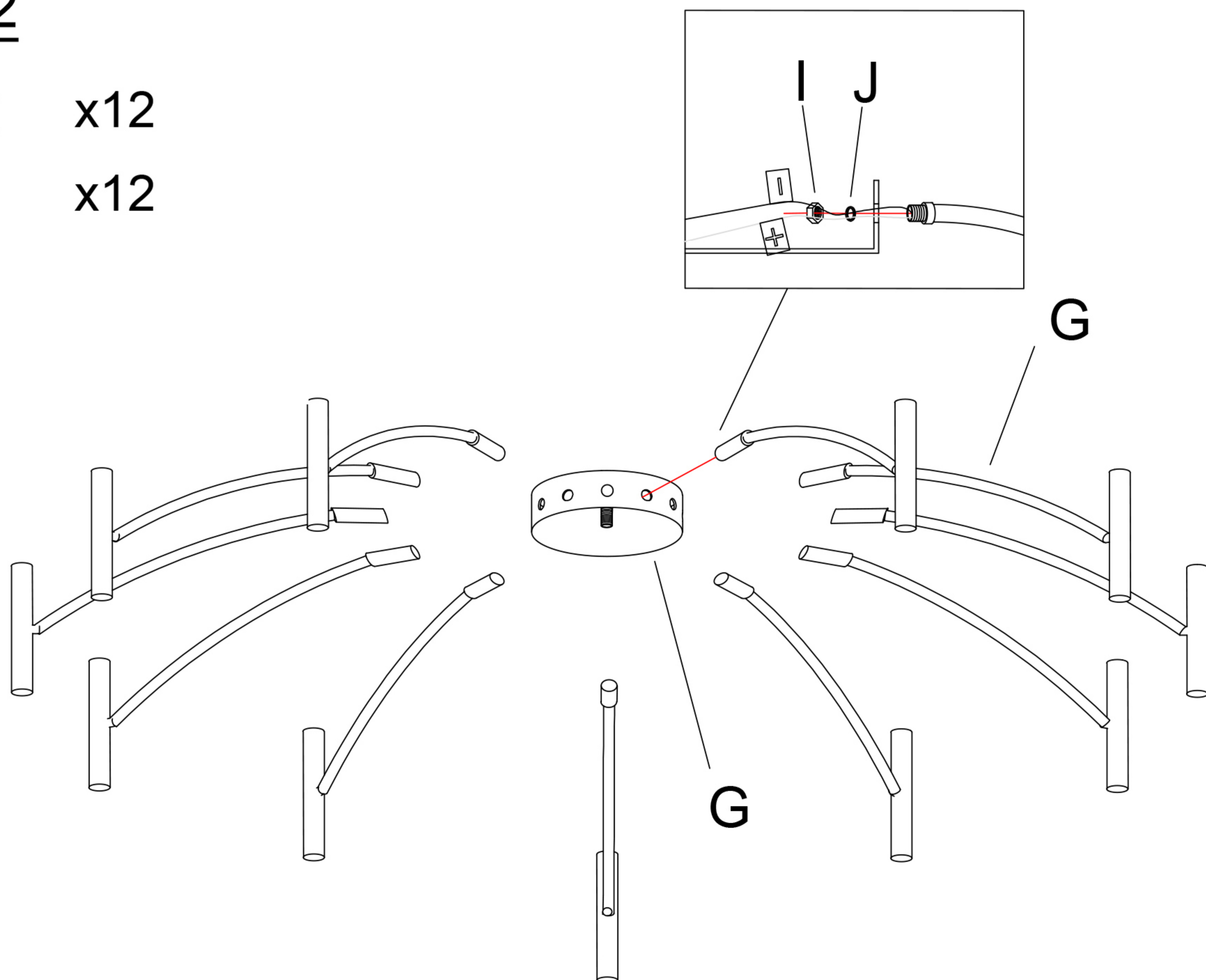


Remove the pre-installed nut first

## Step 2

I  x12

J  x12

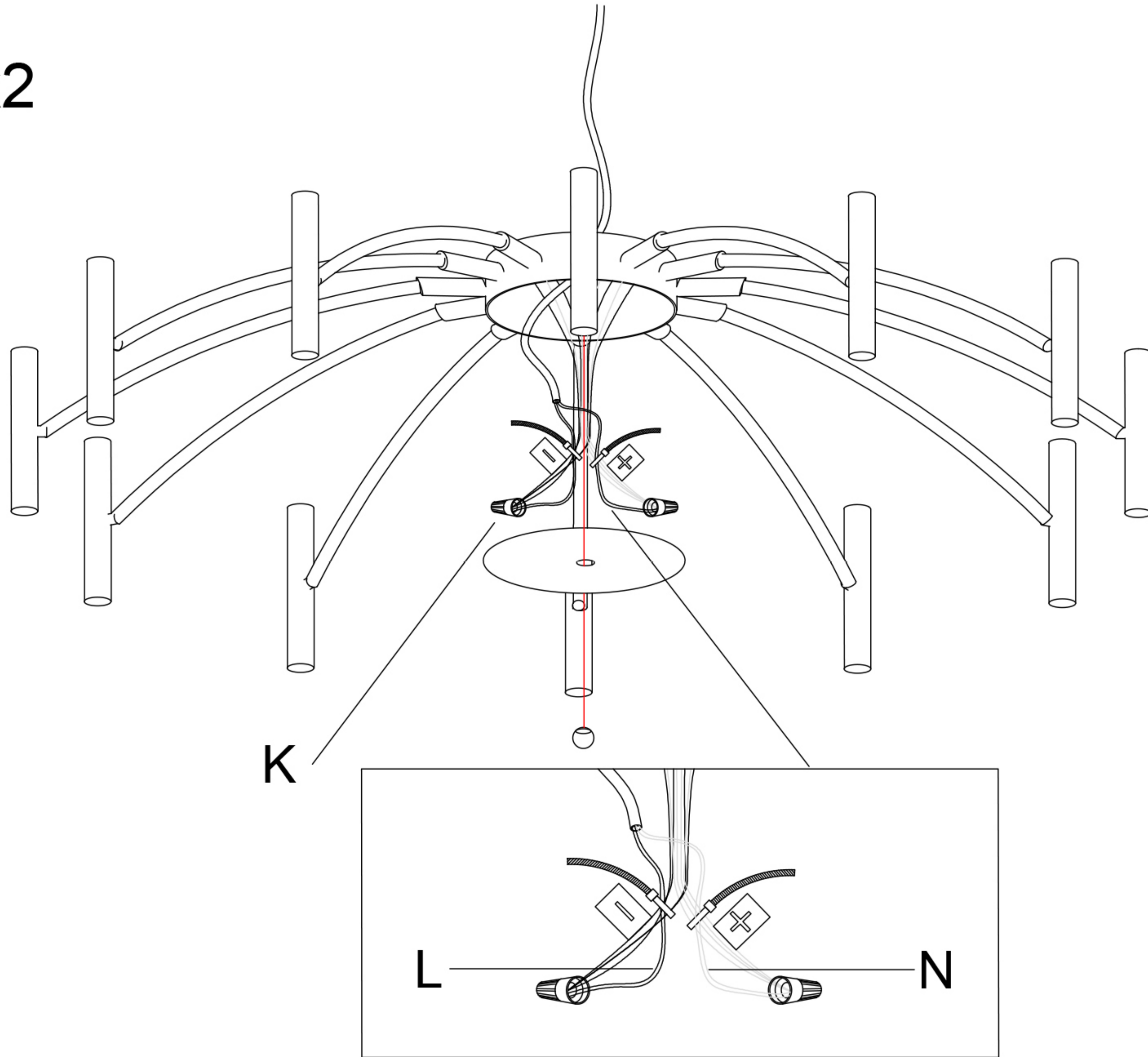




# Installation Steps

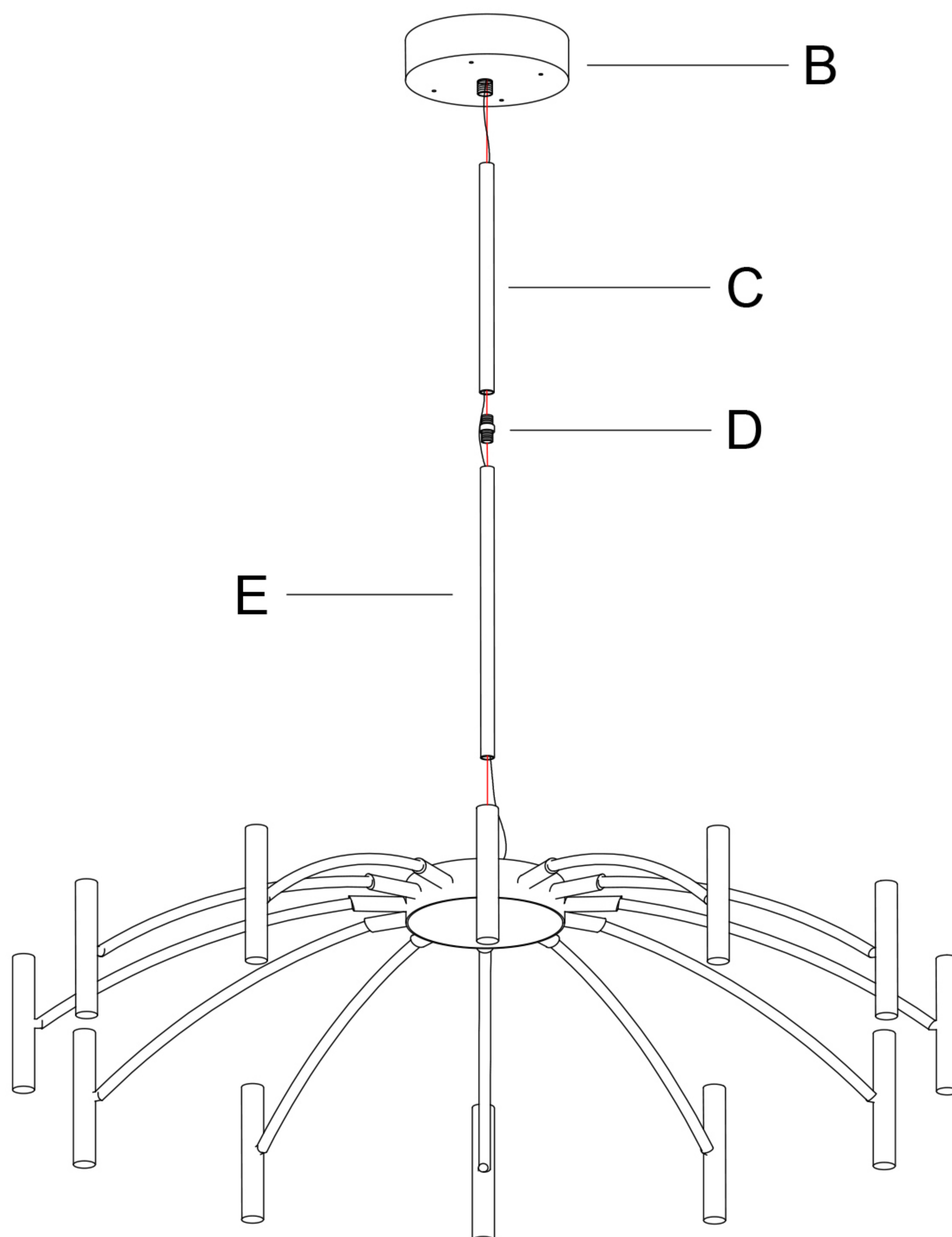
## Step 3

K  x2



## Step 4

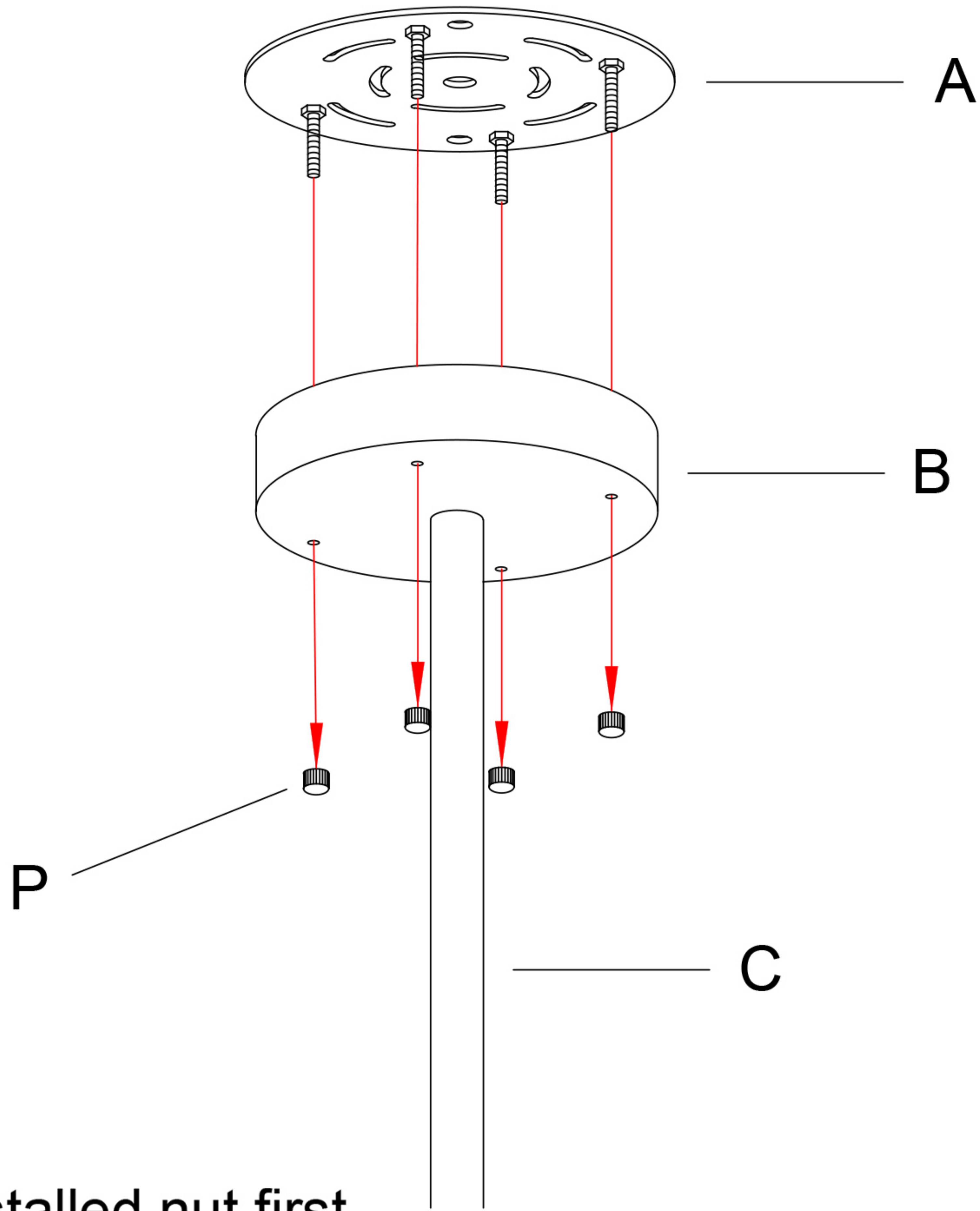
D  x1





# Installation Steps

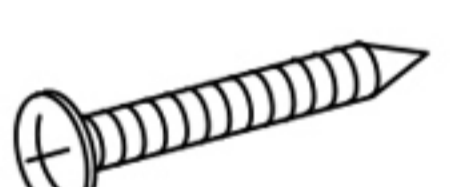
## Step 5

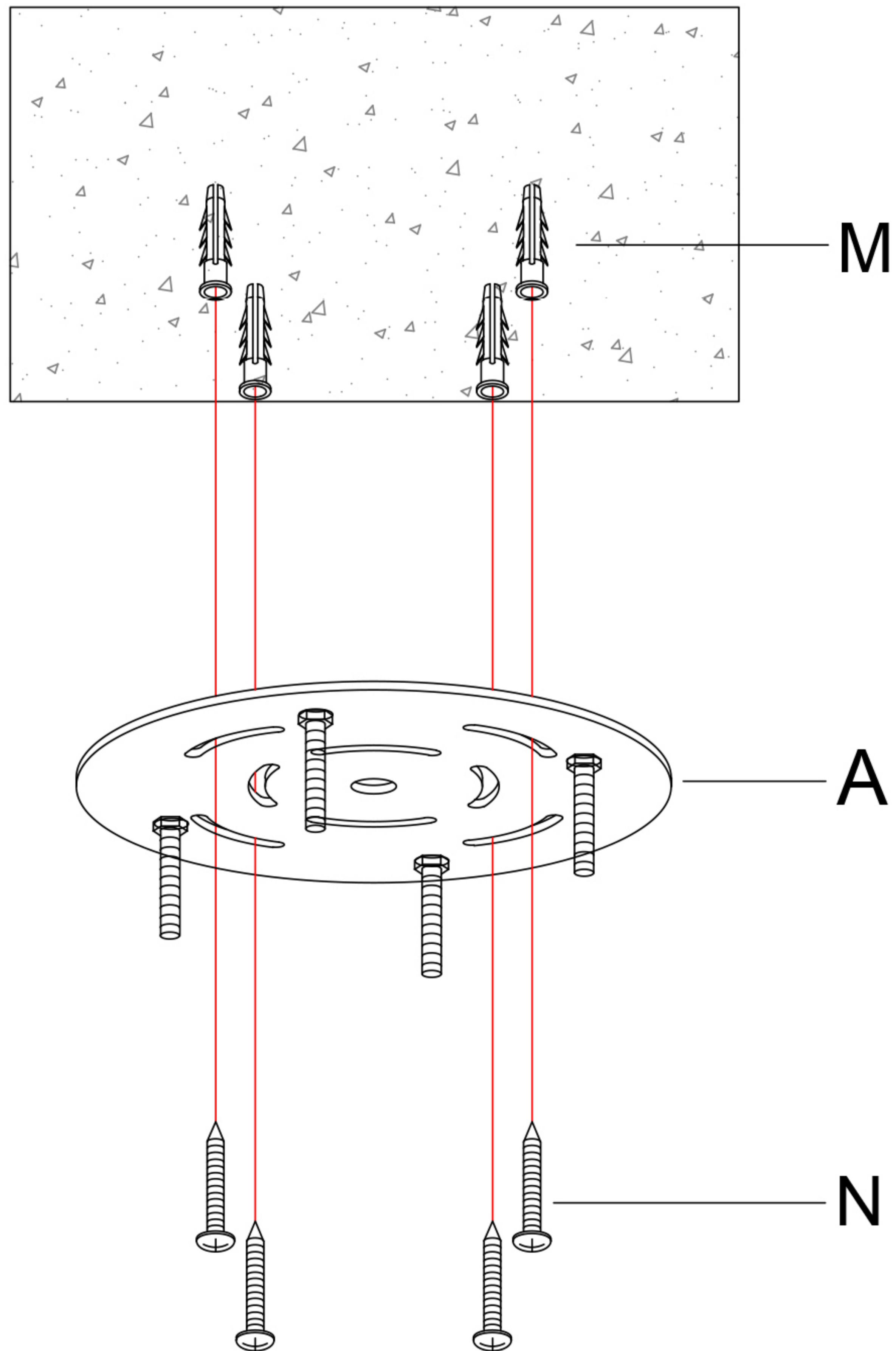


Remove the pre-installed nut first

## Step 6

M  x4

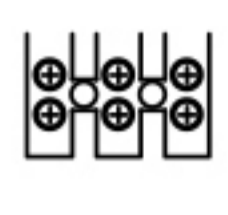
N  x4

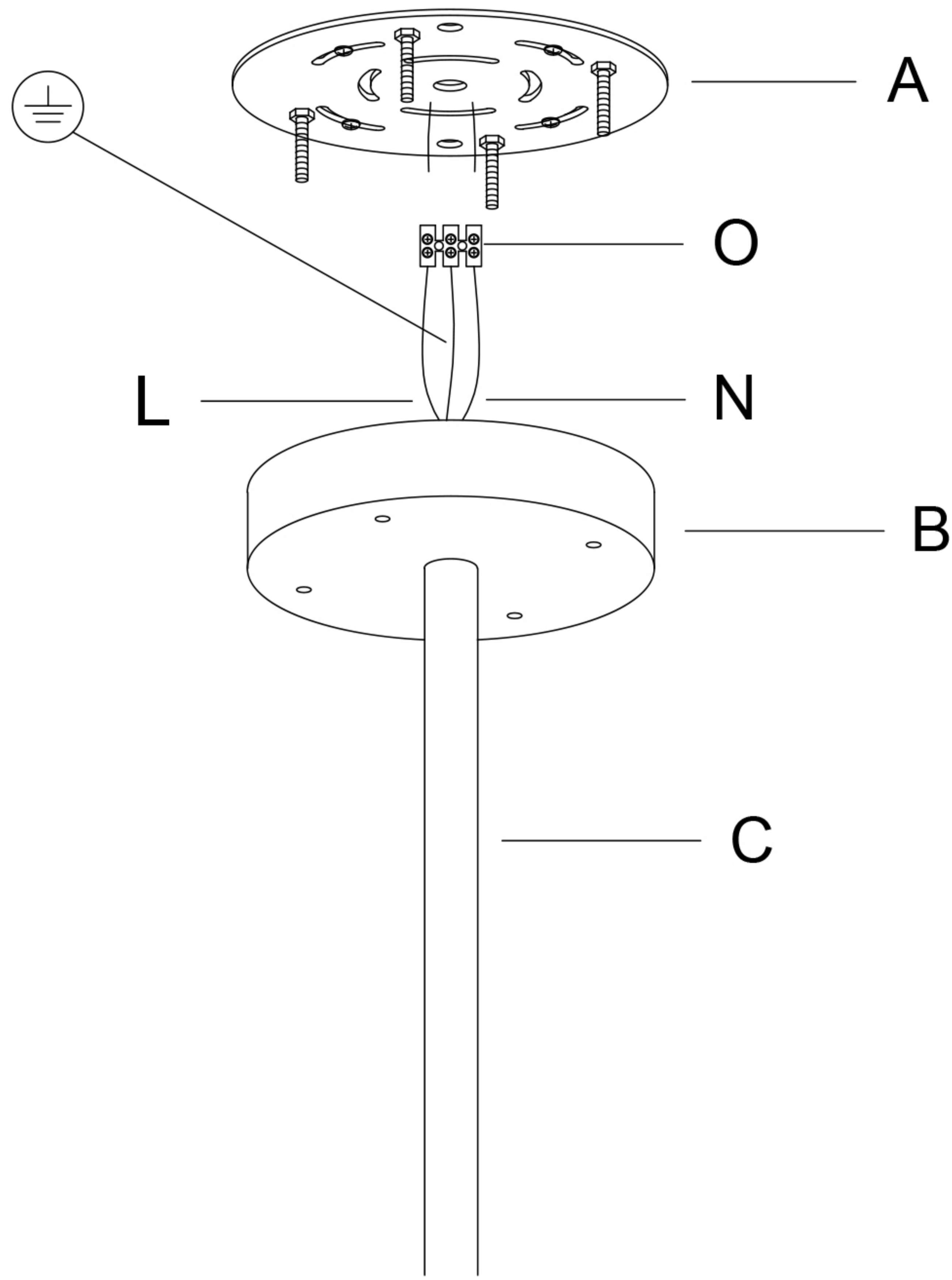




# Installation Steps

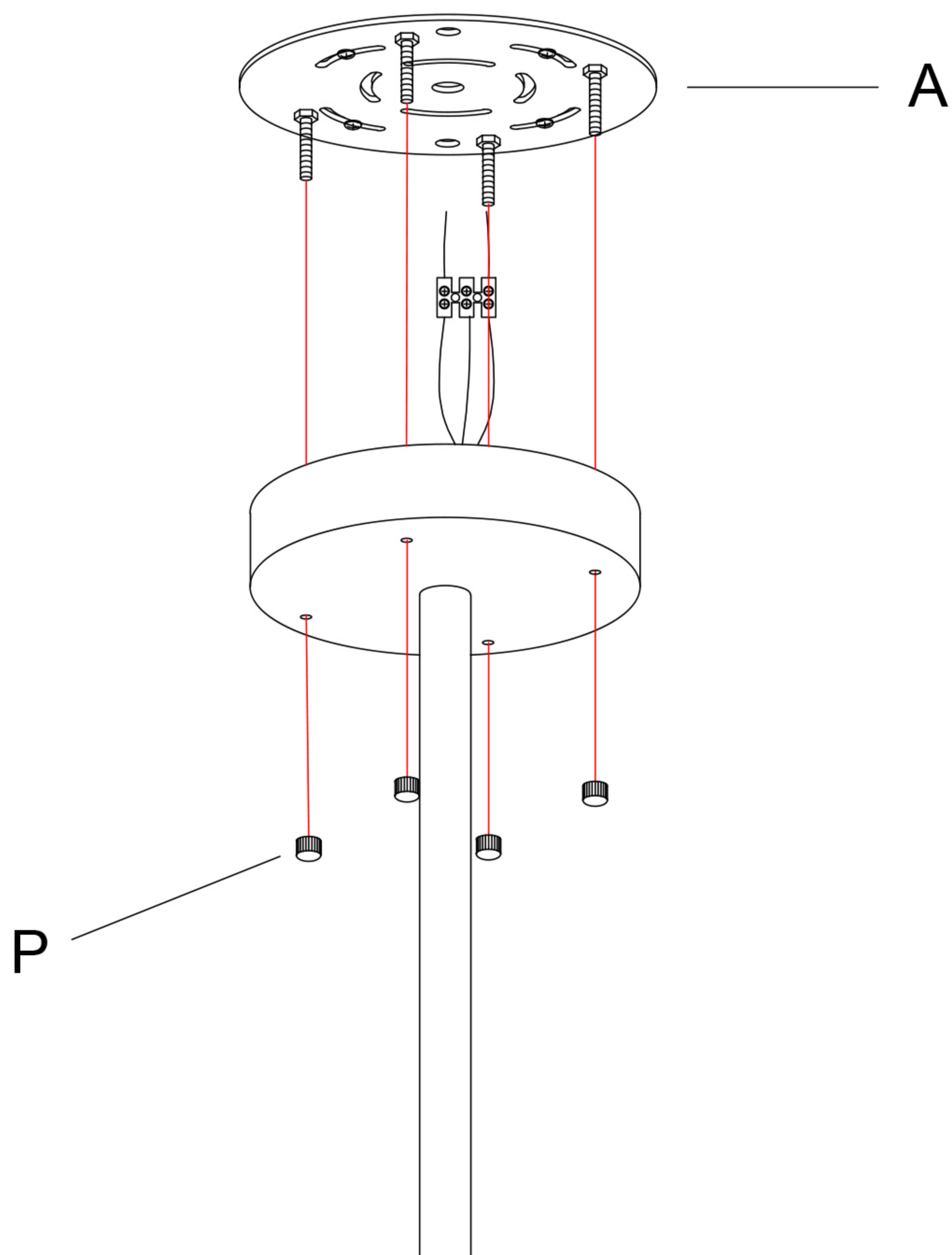
## Step 7

O  x1



## Step 8

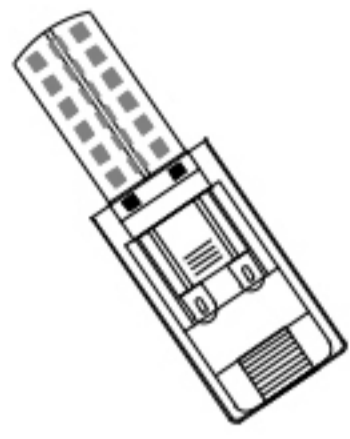
P  x4

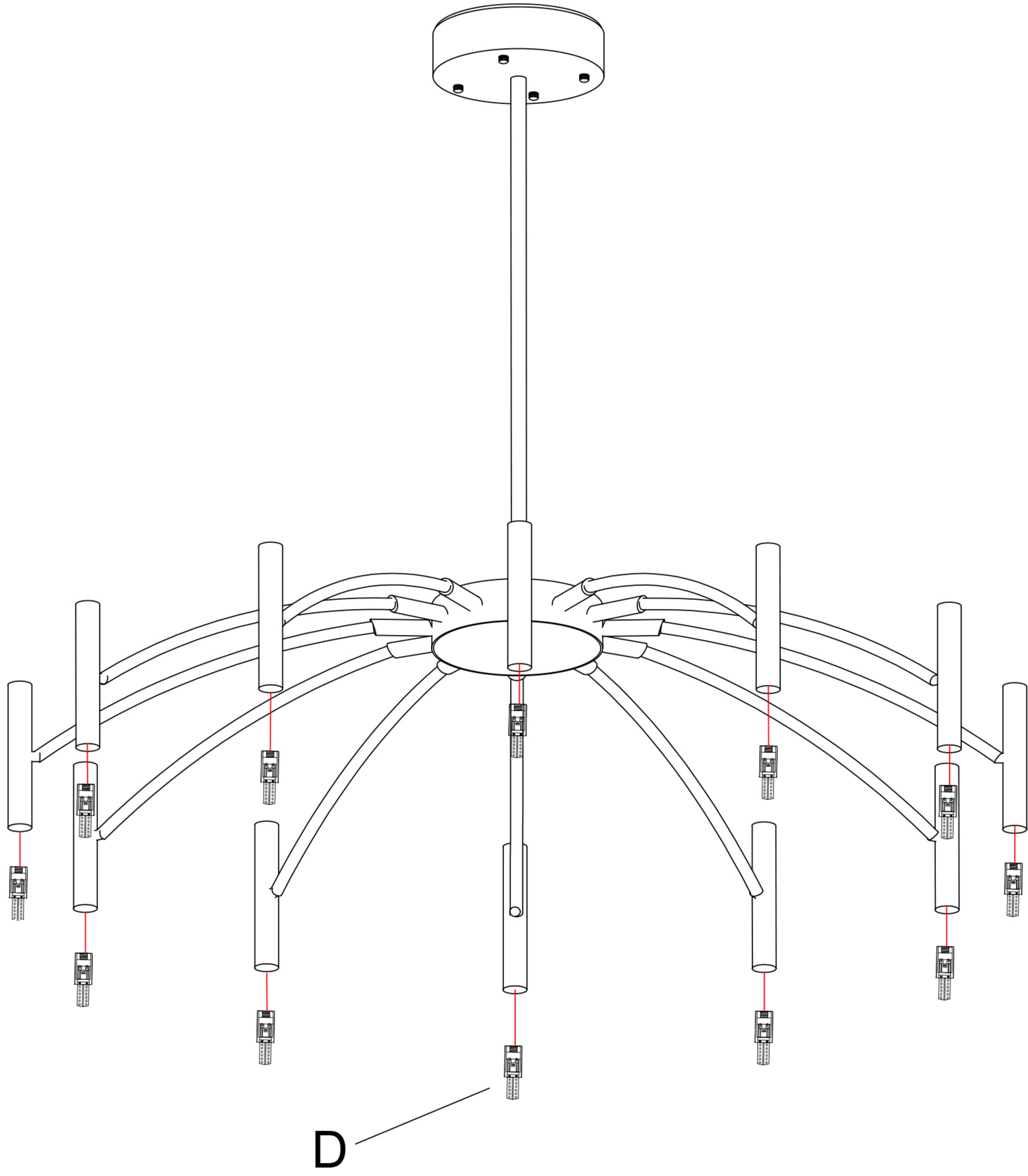




# Installation Steps

## Step 5

D  x12





## Care and Maintenance



**WARNING:** Before you perform any cleaning or maintenance work, turn off the electricity at the main circuit breaker panel.

- Wipe the fixture with a damp, soft cloth.
- Do not use any abrasive cleaners or cleaners that contain alcohol.
- When replacing bulbs, use 60-watt MAX for E26/27 bulb and E12/14 bulb, 40-watt MAX for G9 bulb, 20-watt MAX for G4 bulb.

## Troubleshooting

Problem	Possible Cause	Solution
The light will not turn on.	A bulb is burned out.	Replace the bulb.
	The power is off.	Ensure the power supply is on.
	There is a faulty wire connection.	Check the wiring. Contact a qualified and licensed electrician if you are not capable to solve wiring problems.
	There is a faulty switch.	Test or replace the switch.
The fuse blows or the circuit breaker trips when the light is turned on.	There are crossed wires or the power wire is grounding out.	Discontinue use of the fixture. Check the wire connections or contact a qualified electrician.
Strobe	Drive Failure	Contact our after-sales service, may need to replace the driver.
	Wiring Error	Rewire according to the manual.
	Light Source Failure	Replace the light source, if the problem can not be ruled out, please contact customer service.
Abnormal noise	Drive Failure	Contact our after-sales service, may need to replace the driver.