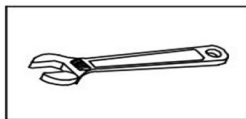
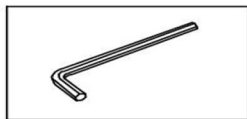


## Ceiling Fan Installation

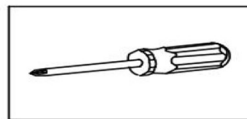
### Tools You May Need:



Adjustable Wrench



Hexagon Wrench



Philips Screwdriver

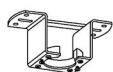
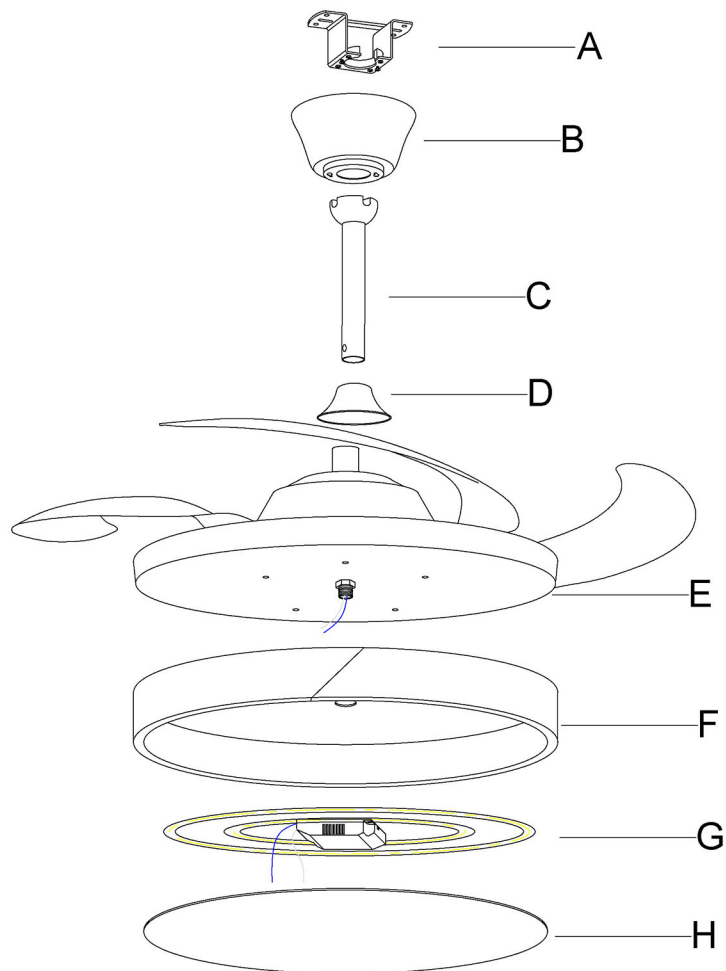
### Before the Installation

1. Do not throw away packing materials until assembly is complete for small parts may come loose inside the carton during shipment. If parts are missing, please contact us.
2. Assemble this item on a soft surface, such as carpet to protect the finish.
3. Proper assembly of this item requires 2 people.
4. Periodically check to ensure that all connections are tight.
5. It is recommended that installation of the product be done by a qualified licensed electrician.

### Care and Cleaning

1. To protect the finish, avoid use chemicals and household cleaners.
2. All hot serving dishes should be placed on a pad.
3. Any liquid spilled onto the top should be cleaned up immediately with a damp cloth.

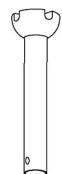
# Parts List



Ax1



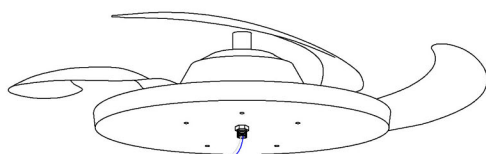
Bx1



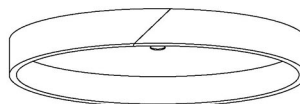
Cx1



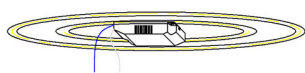
Dx1



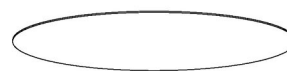
Ex1



Fx1



Gx1



Pre installed lampshade  
Hx1



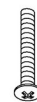
Ix5



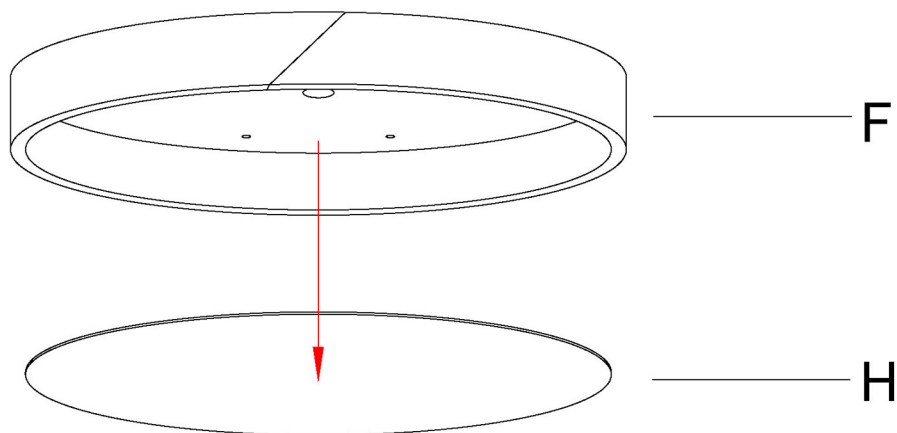
Jx2



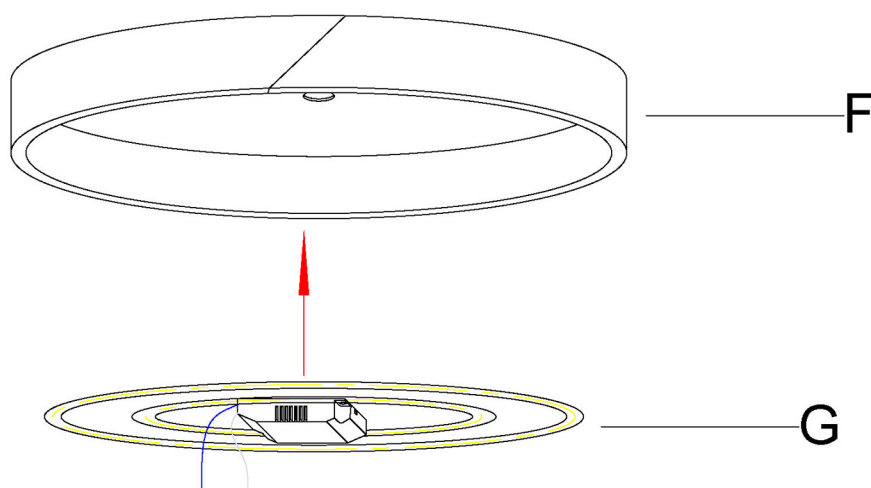
Kx2



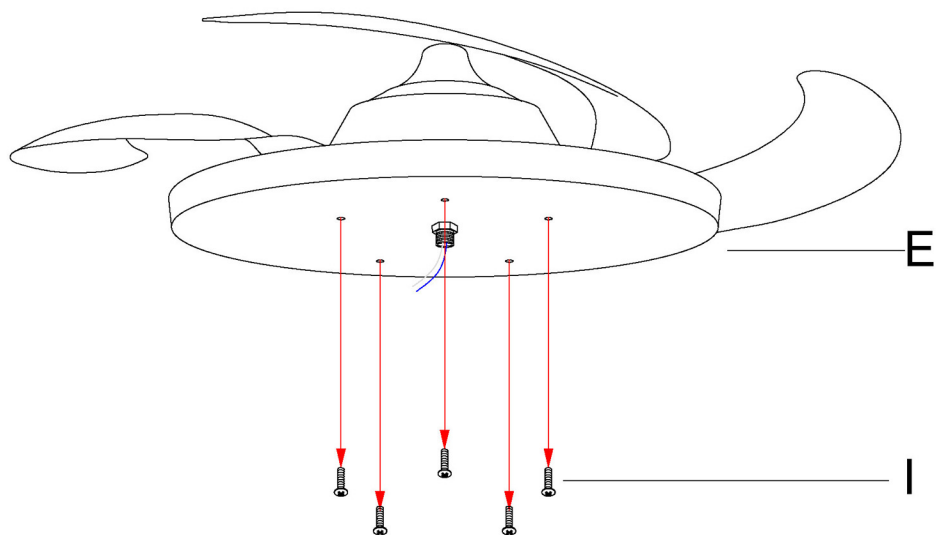
Lx4



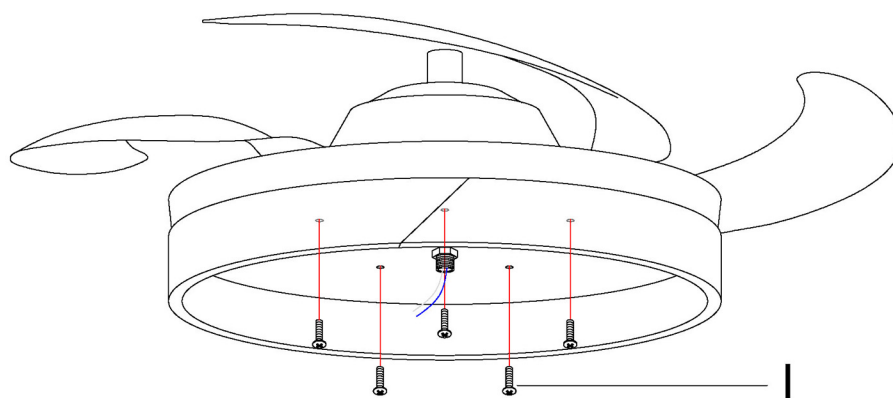
Removing the lampshade



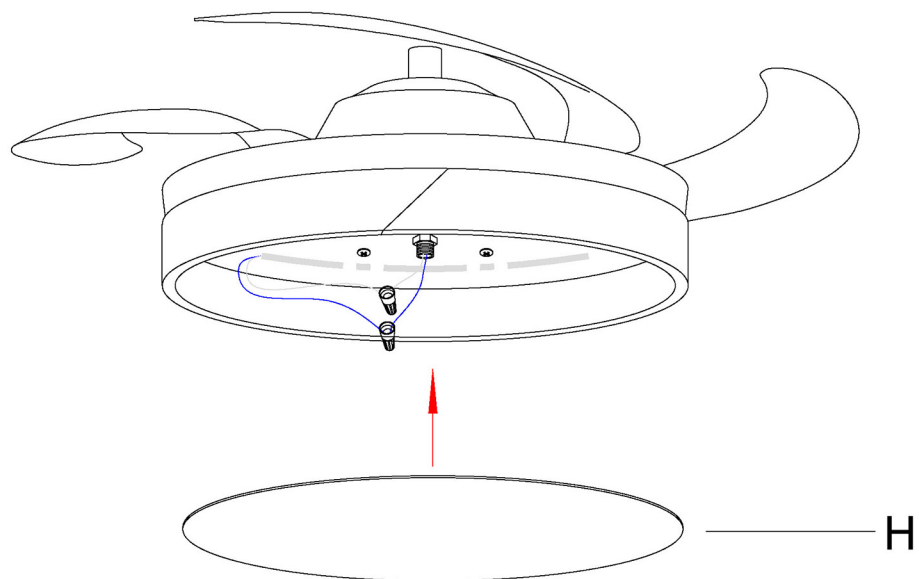
Remove the lampshade light source and the magnetic screw on the back of the driver to directly attach it to the chassis



Removing the pre installed screws

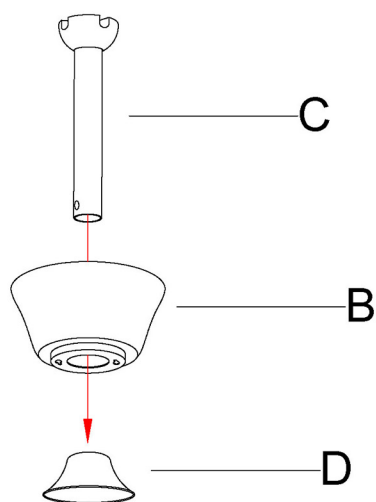


Install it again



Connect the same colored wires of the light strip first, and then install the lampshade

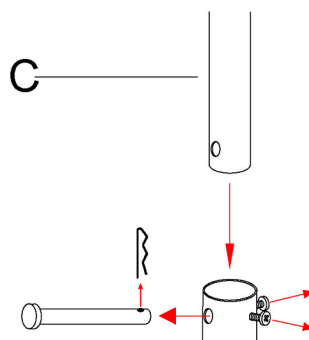
Step 6



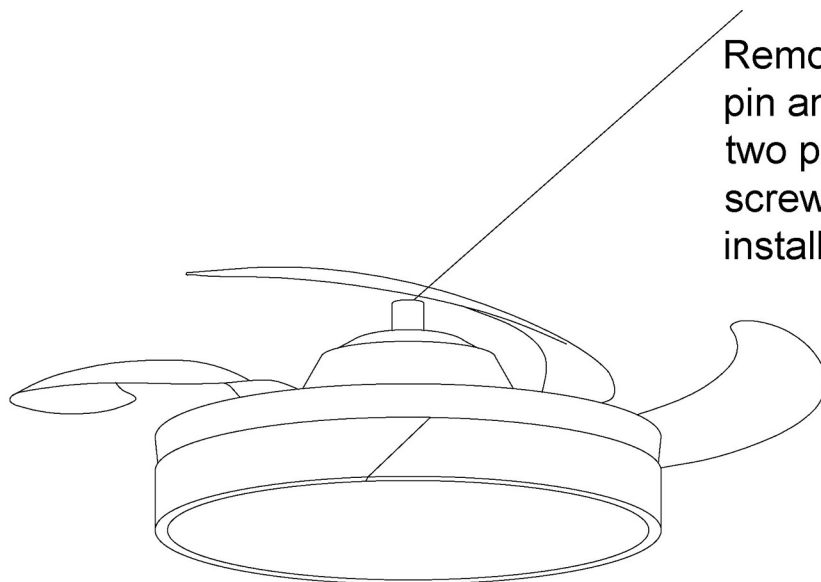
Thread the size of the bell according to the diagram

## Step 7

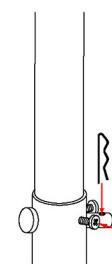
P.6/10



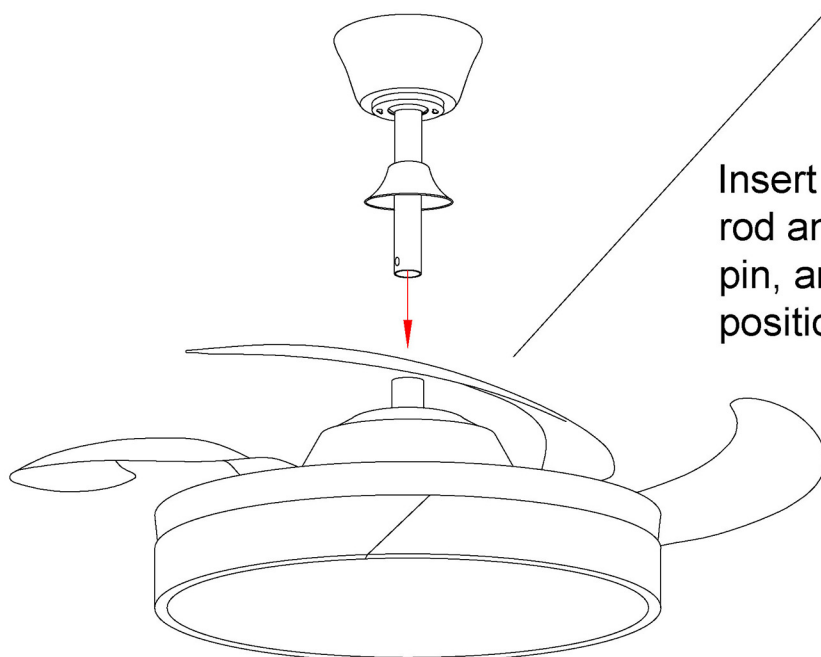
Remove the iron pin and loosen the two positioning screws for the next installation step



## Step 8



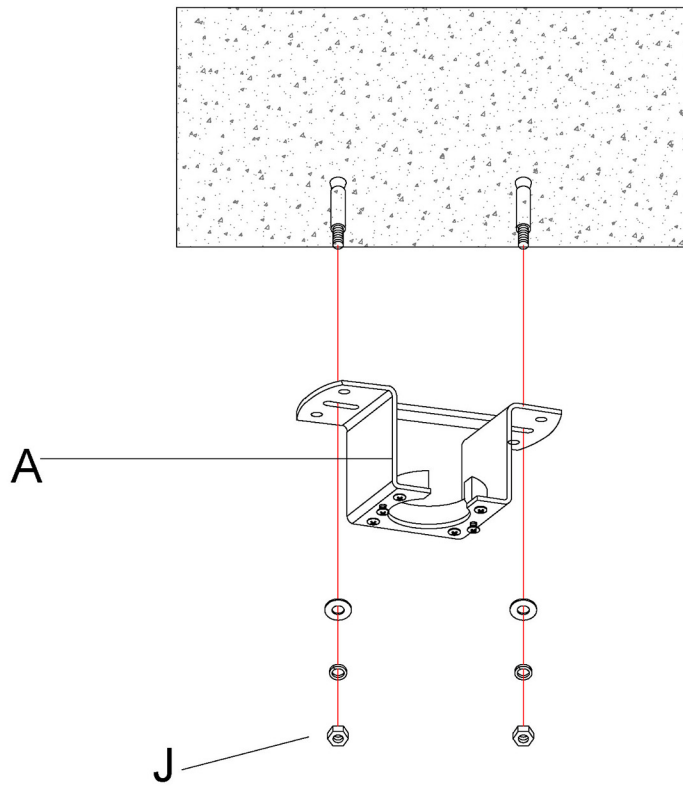
Insert the suspension rod and install the iron pin, and tighten the two positioning screws



## Step 9

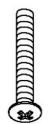
P.7/10

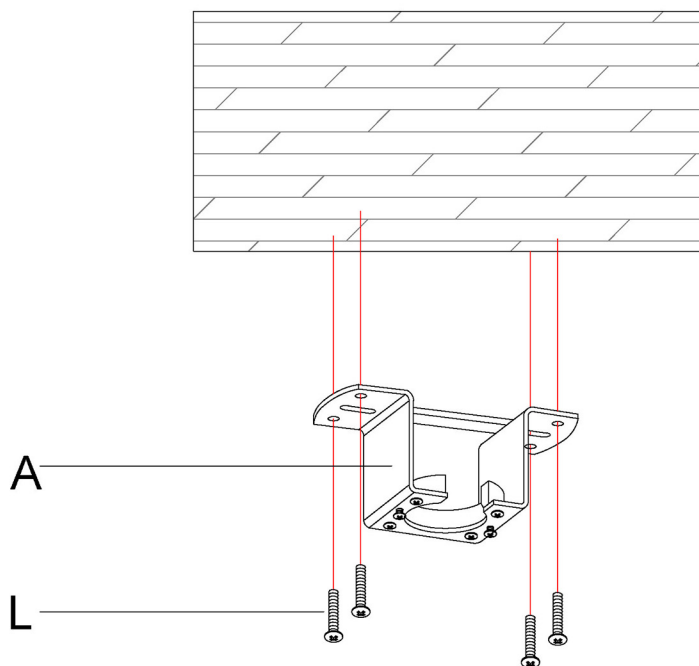
J  x2



The installation of the cement ceiling uses two explosive screws to fix the hanger

## Step 10

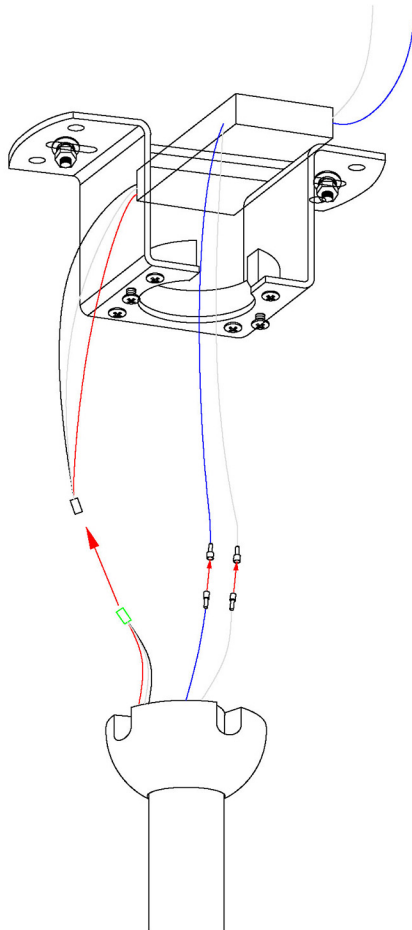
L  x4



Fix the hanger with 4 self tapping screws for wooden ceilings

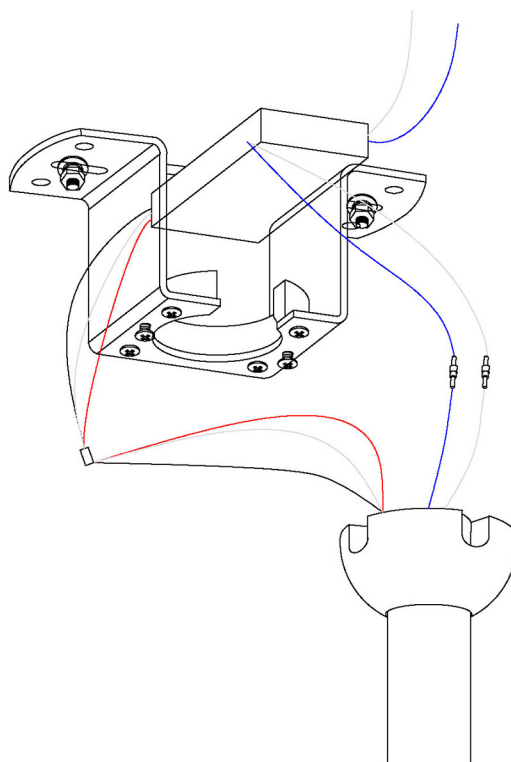
## Step 11

P.8/10



Connecting wires of the same color

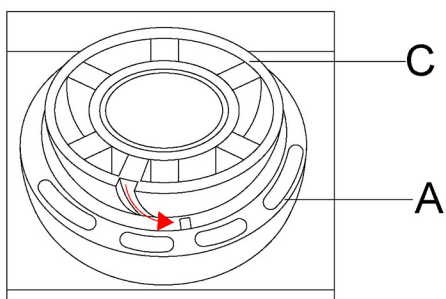
## Step 12



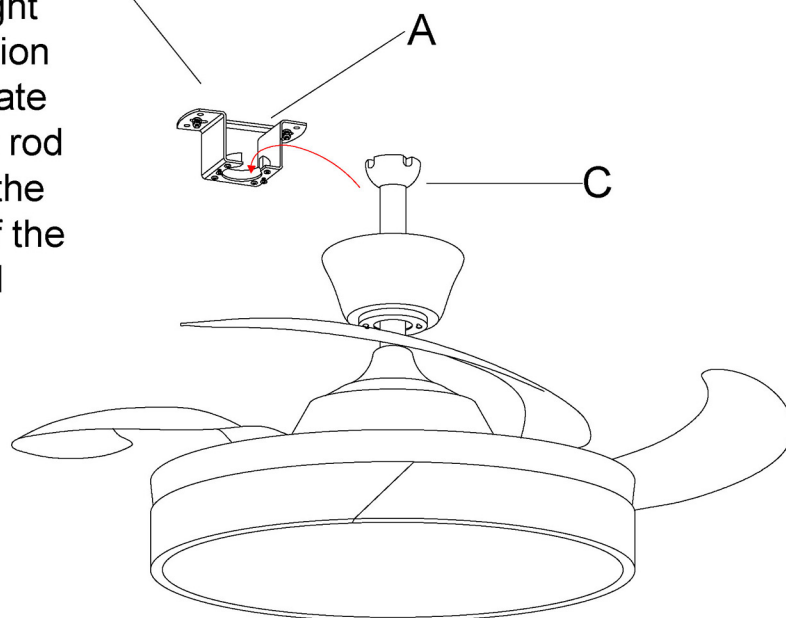


## Step 13

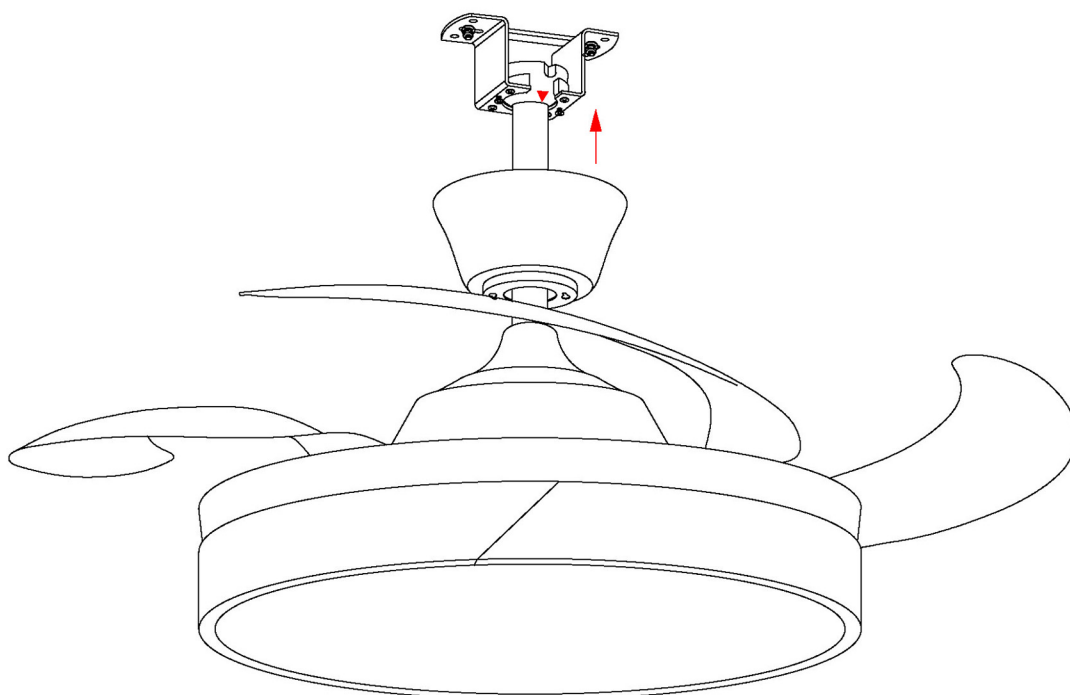
P.9/10

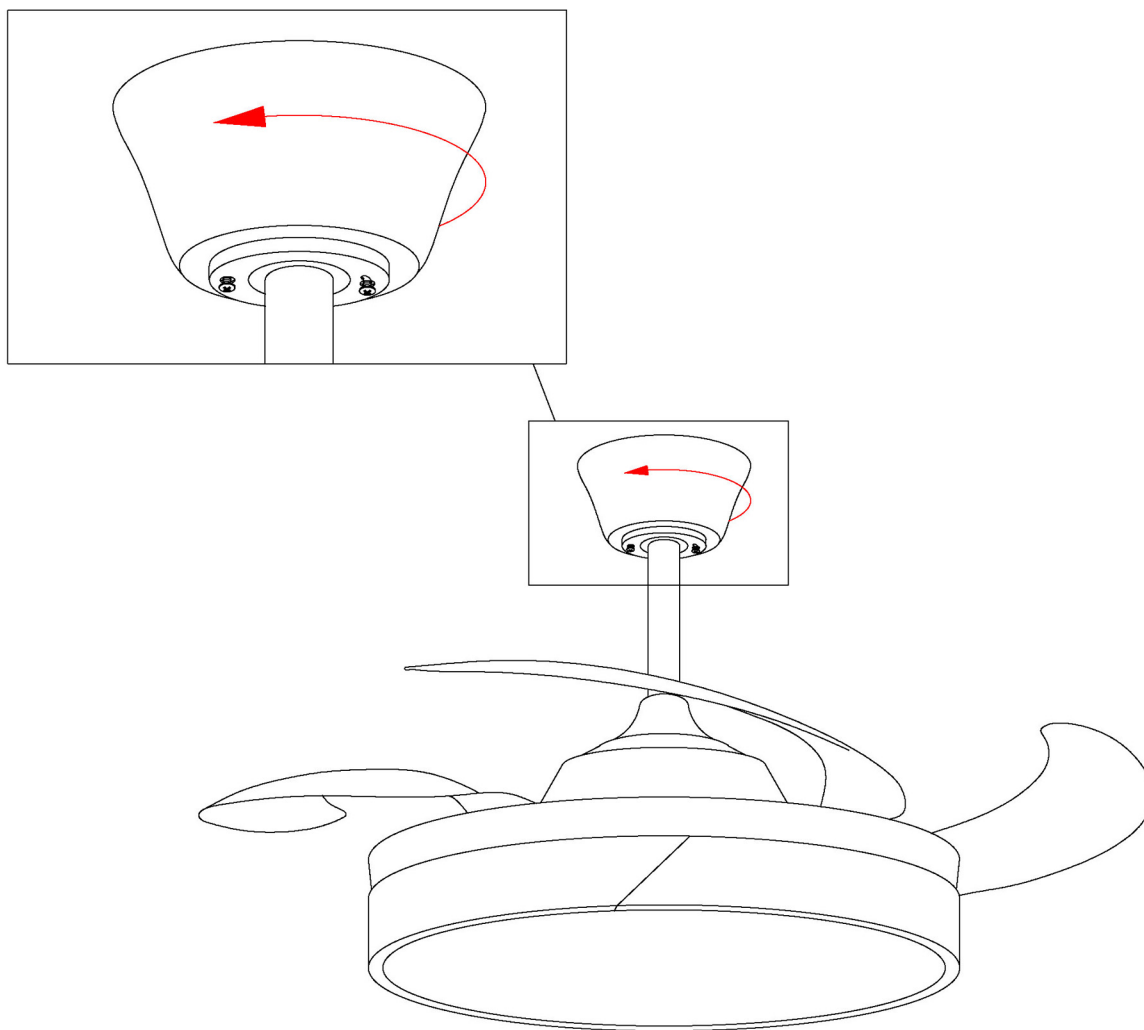


Hang the fan light on the suspension bracket and rotate the suspension rod until it catches the concave part of the suspension ball



## Step 14





Push the large bell upwards and rotate the locking screw