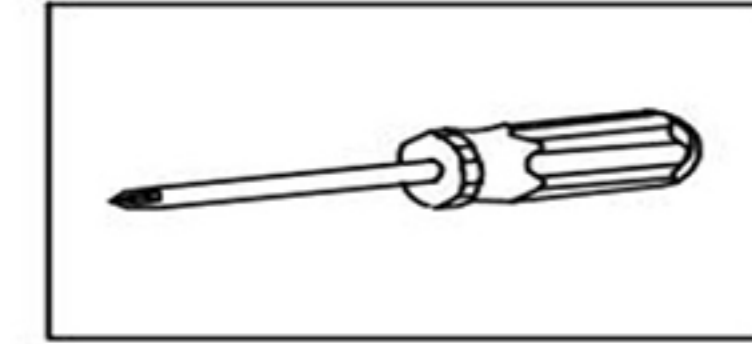
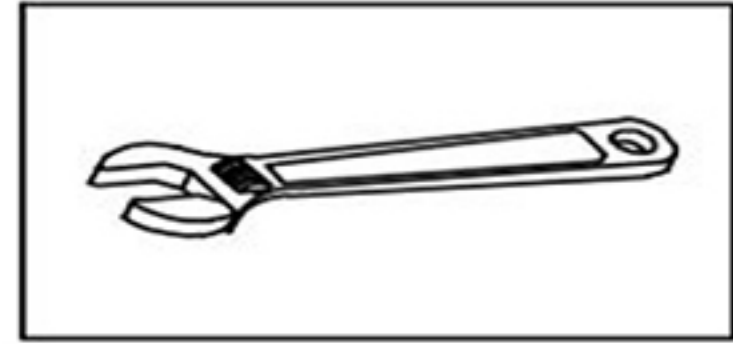


Light Fixture Installation

Tools Required:

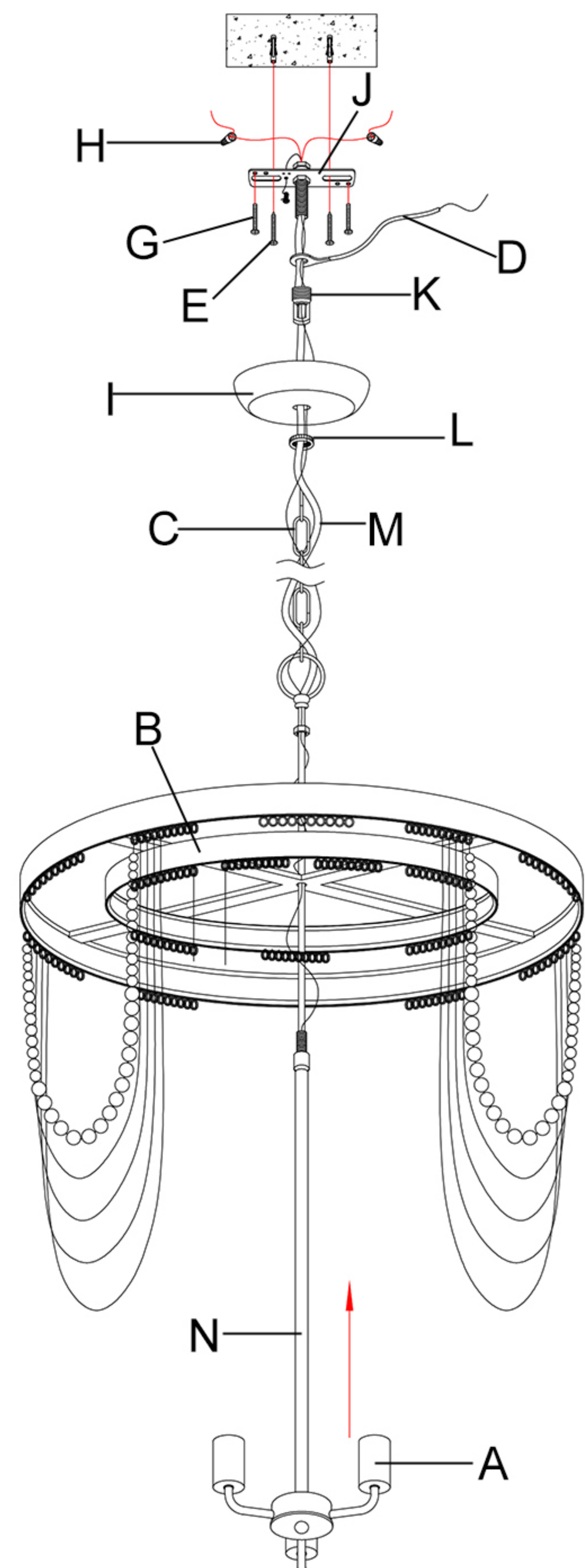


Adjustable Wrench Philips Screwdriver

Before Installation

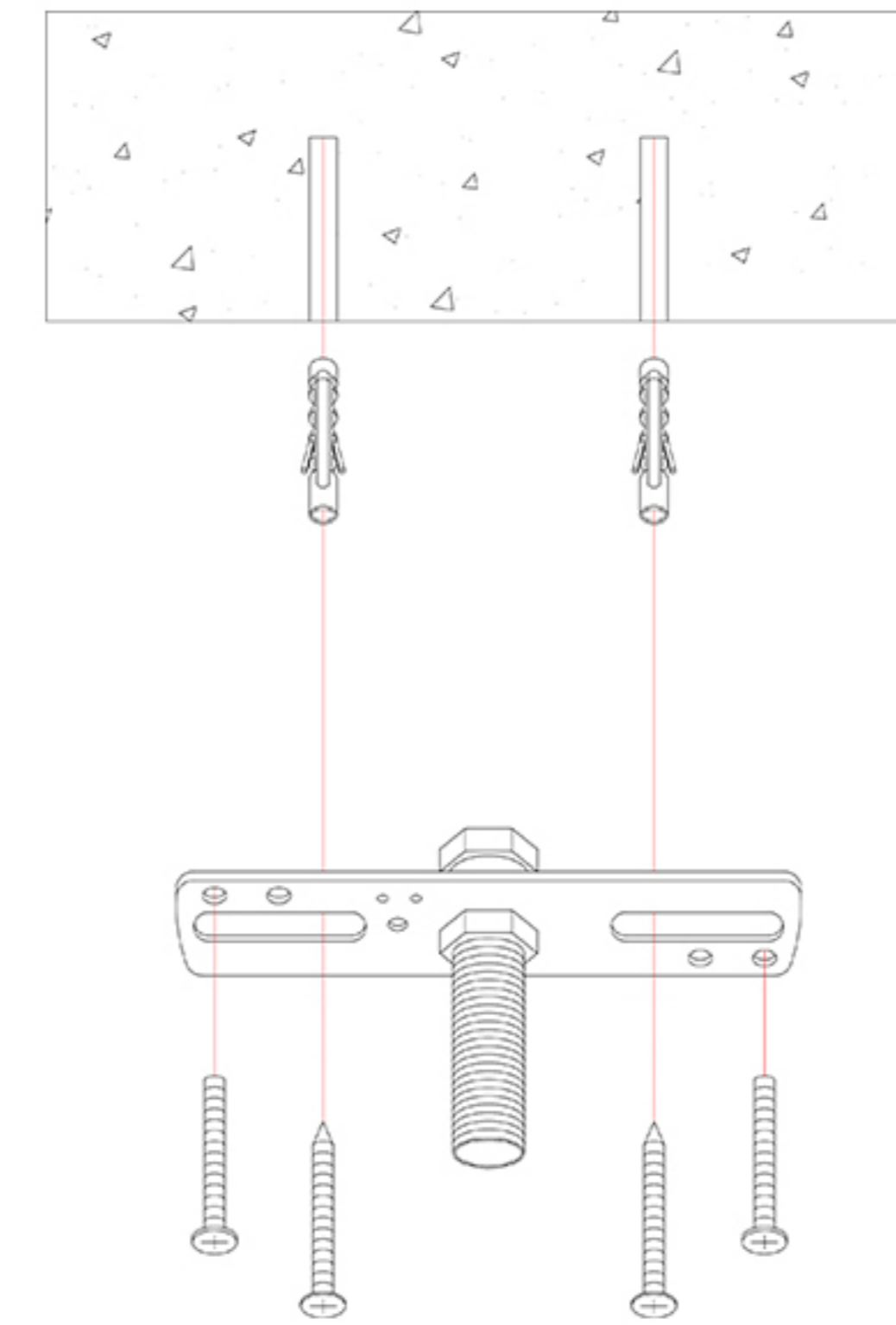
1. Please read these instructions before assembling or installing the product. **NOTE:** Installation by a licensed electrician is recommended.
2. Take out the fixture and the mounting package and make sure all parts are included. If any part is missing or damaged, please contact us.
3. All parts must be used as indicated in these instructions. Do not substitute any parts, leave parts out, or use any parts that are worn out or broken.
4. Do not disassemble the main body, as it has been installed & commissioned correctly & precisely before leaving the factory.
5. **IMPORTANT:** Turn off the main power at the circuit breaker and place the wall switch or pull chain in the "OFF" position.
6. Do not use bulbs with wattage greater than specified on this fixture.

Parts List

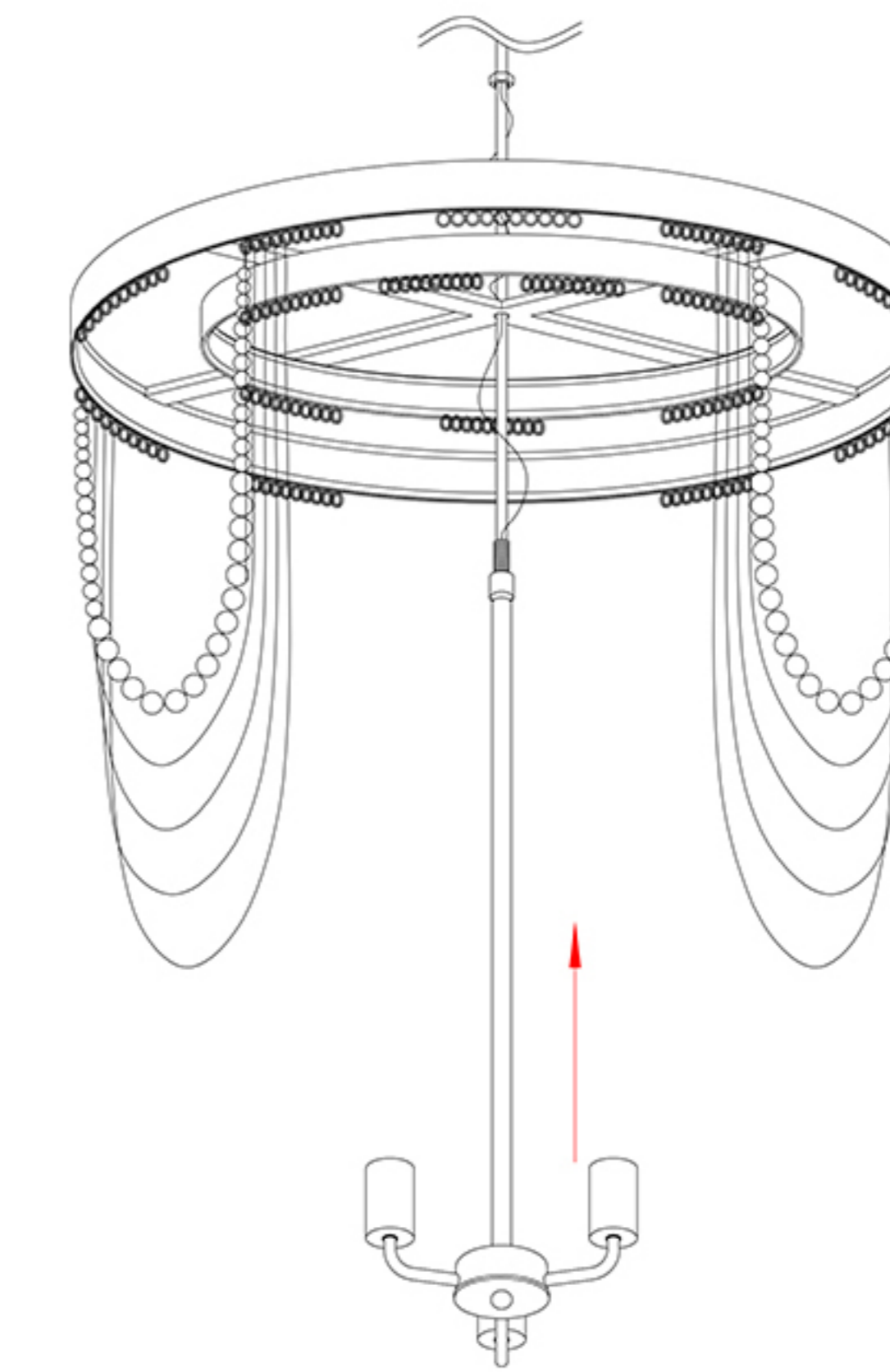


Part	Name	Quantity
A	cluster	1
B	frame with bead	1
C	chain	1
D	ground wire	1
E	screw	2
G	flat-head screw	2
H	wire connector	2
I	canopy	1
J	mounting strap	1
K	chain connector	1
L	lock nut	1
M	main wire	1
N	central tube	1

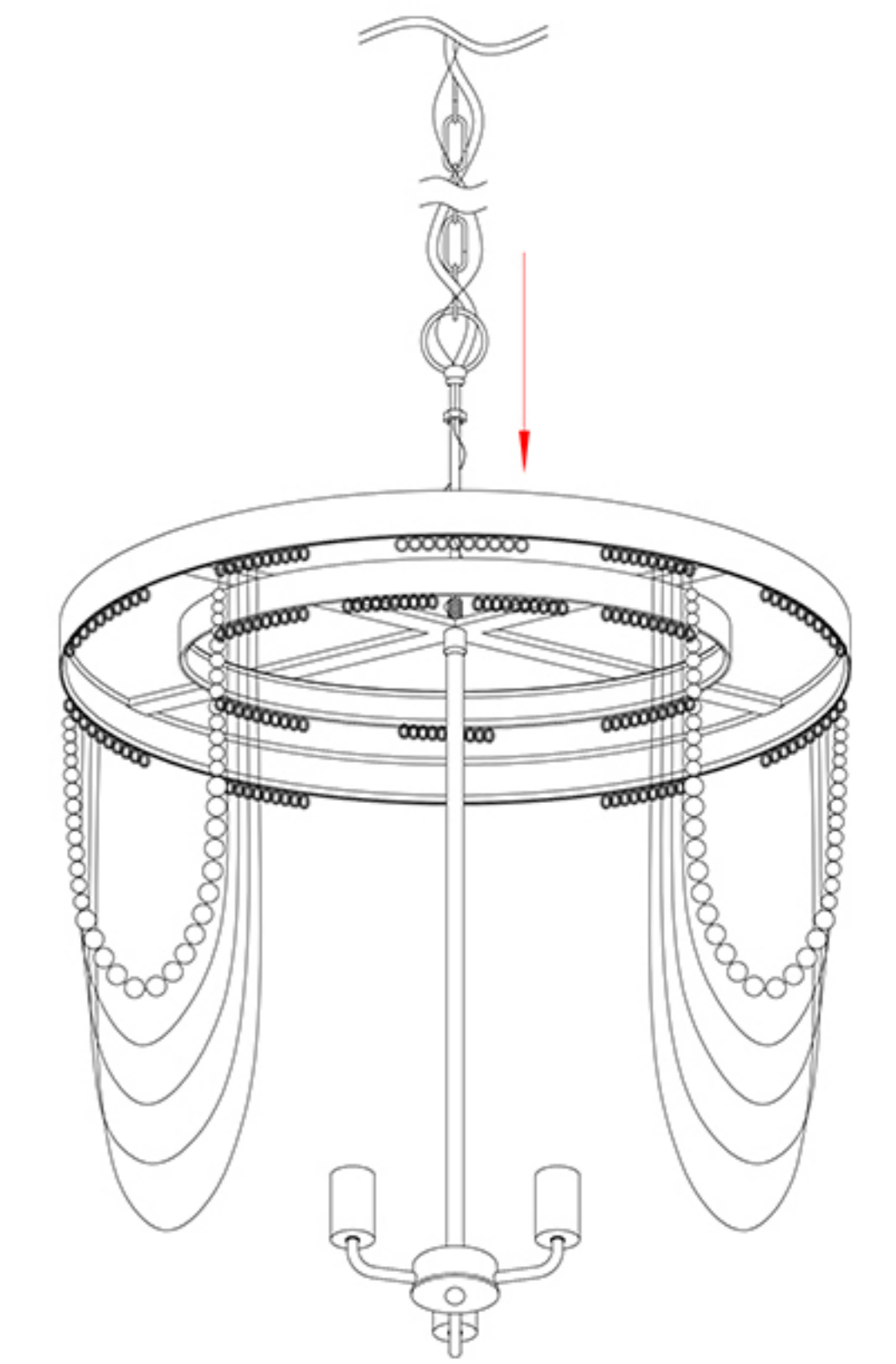
Installation Guide



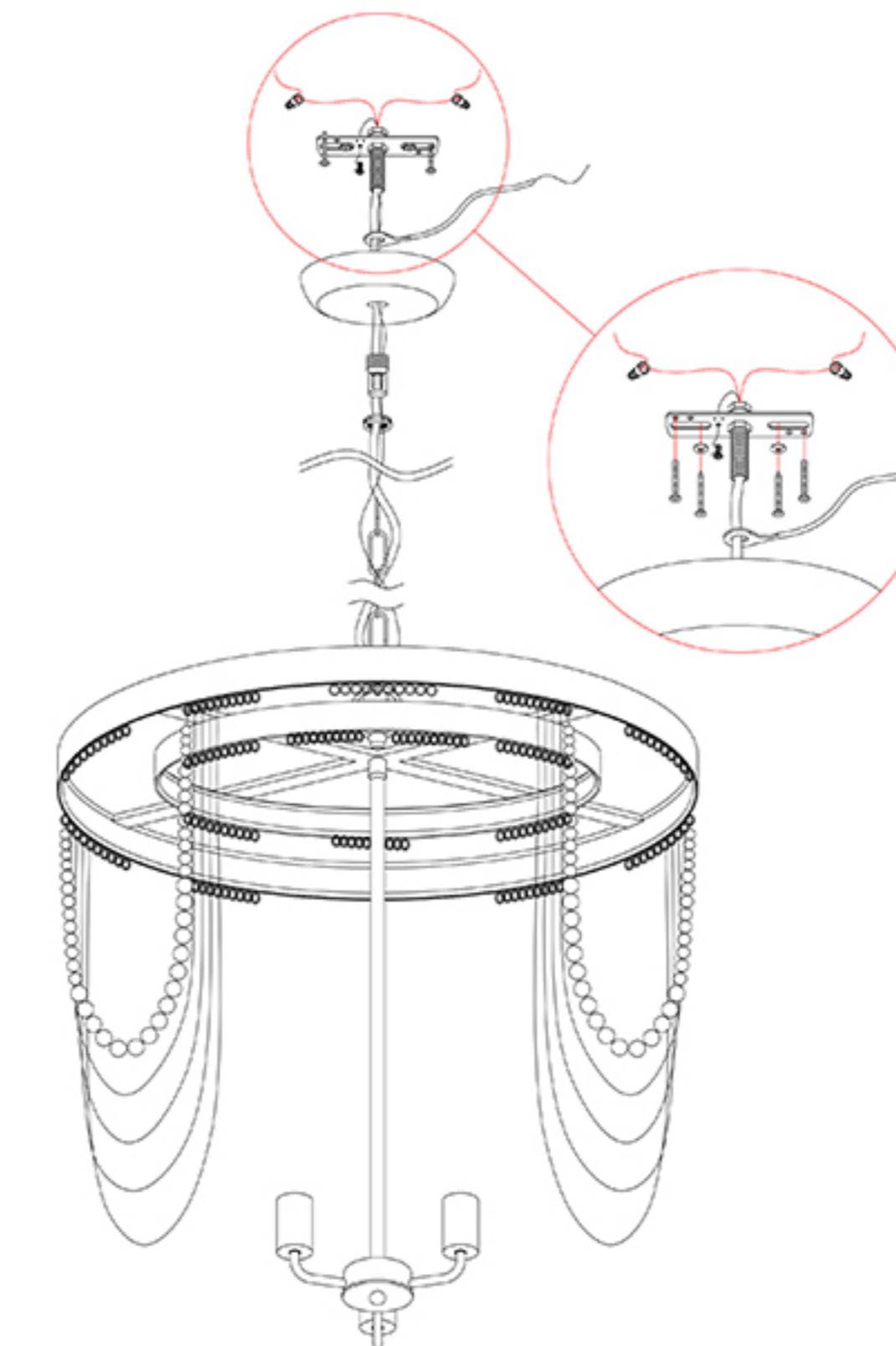
1. Shut off the power before installation. Install the mounting strap to the ceiling.



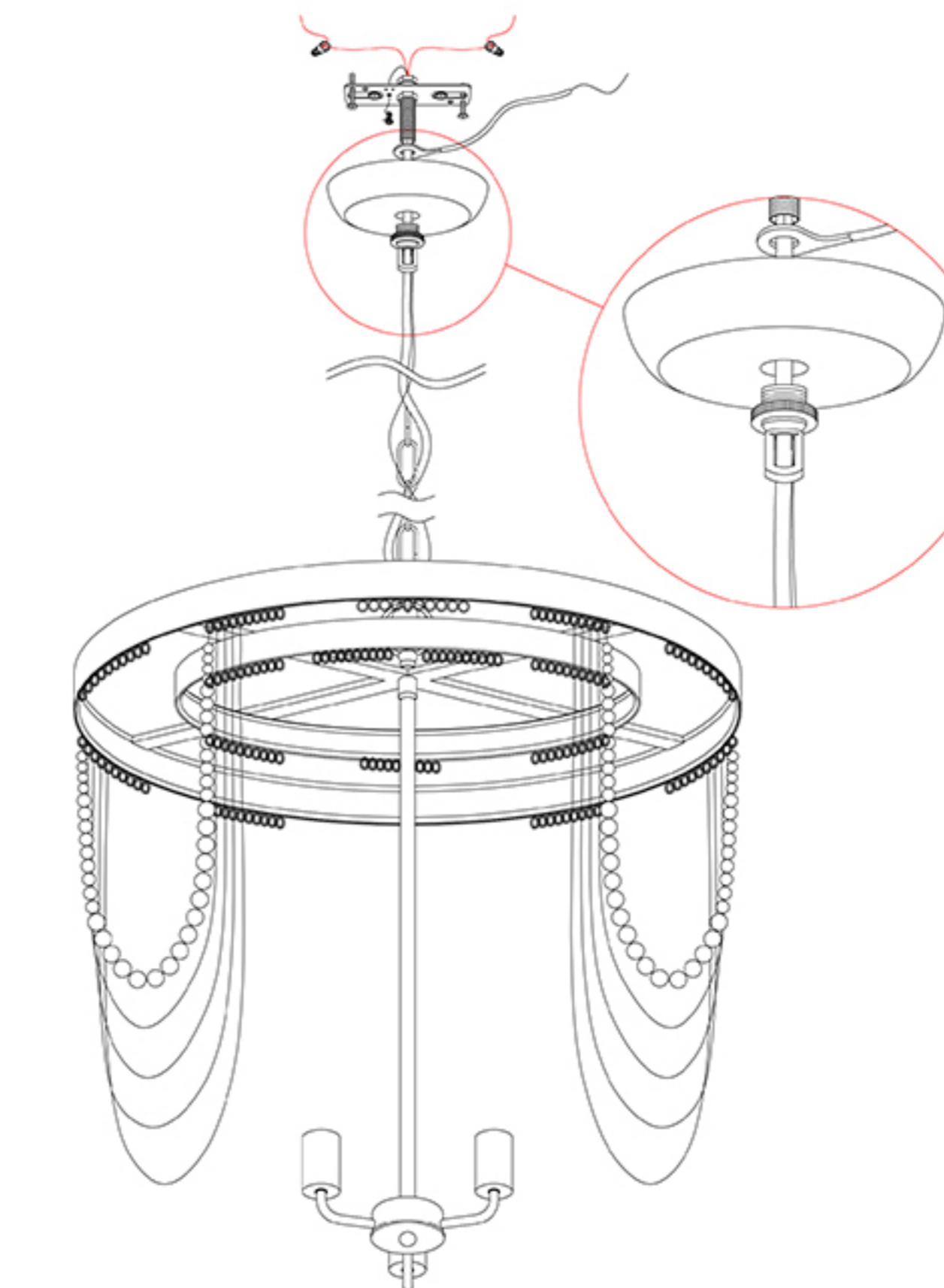
2. Insert the central tube with cluster into the hole of frame with bead strings.



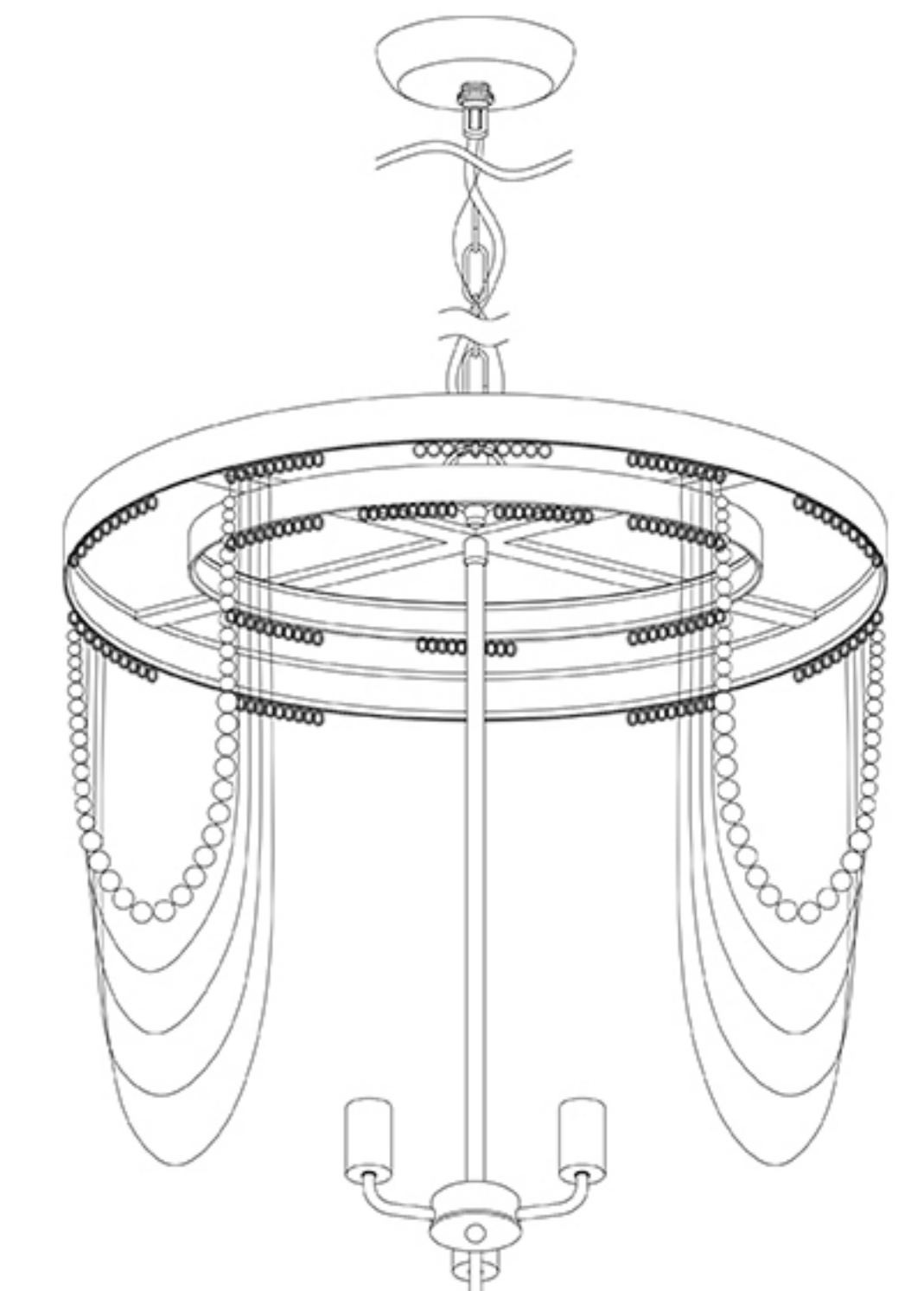
3. Connect the bottom of the chain with frame with bead strings.



4. Feed the main wire through the chain, chain connector and canopy. Connect wires to the corresponding wires in ceiling with wire connectors.



5. Install the canopy to the ceiling and screw with top chain connector, then secure the lock nut.



6. Turn on the power and test.

Troubleshooting

Problem	Possible Cause	Corrective Action
Fixture does not light.	<ol style="list-style-type: none"> 1. Fixture may be wired incorrectly. 2. Worn or broken bulb. 3. Lamp socket or LED transformer (if applicable) may go bad. 	<ol style="list-style-type: none"> 1. Check wiring. 2. Replace bulb. 3. Replace lamp socket or LED transformer (if applicable).
Light bulb flickers.	<ol style="list-style-type: none"> 1. Switch Contacts are bad. 2. Wire connections are loose. 3. Light bulb socket may go bad. 	<ol style="list-style-type: none"> 1. Replace the switch. 2. Check wire connections. 3. Replace the socket.