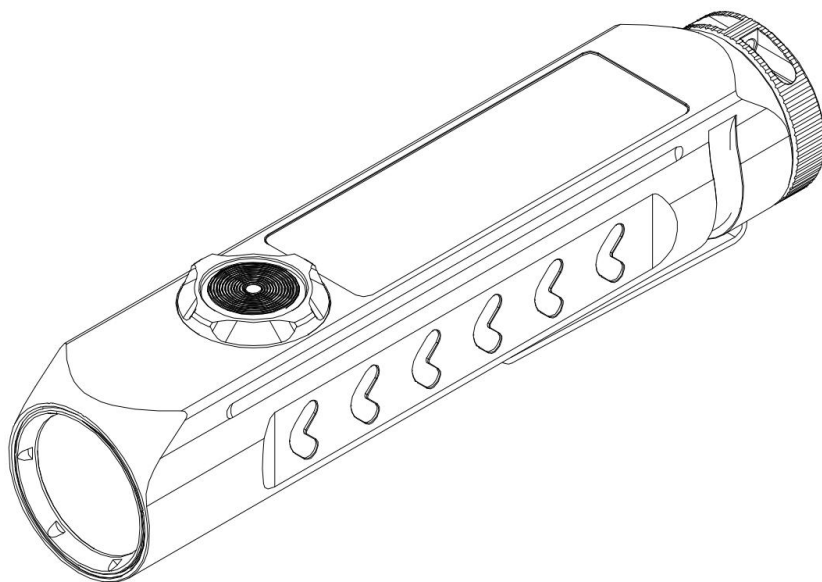


SOFIRN[®]

SOFIRN IF23 PRO

MANUAL



Sofirn IF23 PRO, the upgraded version of the IF23, is designed with a simplified user interface and more intuitive operation.

ANSI/NEMA FL1 Chart

	Modes	Eco/ Moonlight	Low	Medium	High	Turbo	Strobe	SOS	Beacon
Output	main light	5lm	100lm	550lm	1300lm	5000lm	5000lm	550lm	5000lm
	side light	0.5lm	-	-	400lm	750lm	400lm	100lm	400lm
Beam Distance	main light	8m	33m	77m	120m	226m	-	-	-
	side light	-	-	-	32m	42m	-	-	-
Runtime	main light	350h	30h	6h	3h	2h	-	-	-
	side light	850h	-	-	4h	3.5h	-	-	-
	color mode	40h							
Peak Intensity	main light	15cd	265cd	1500cd	3575cd	12775cd	-	-	-
	side light	-	-	-	250cd	435cd	-	-	-
Impact Resistance		1m / 3.28ft							
Water Resistance		IP66							

NOTE

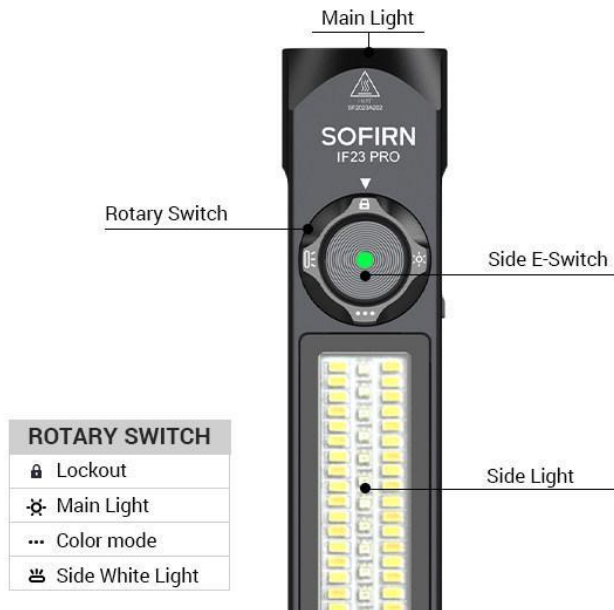
The above mentioned parameters are based on tests according to international flashlight testing standards (ANSI/NEMA FL1) using one 4000mAh 21700 battery. Results may vary with different battery or under different environmental conditions.

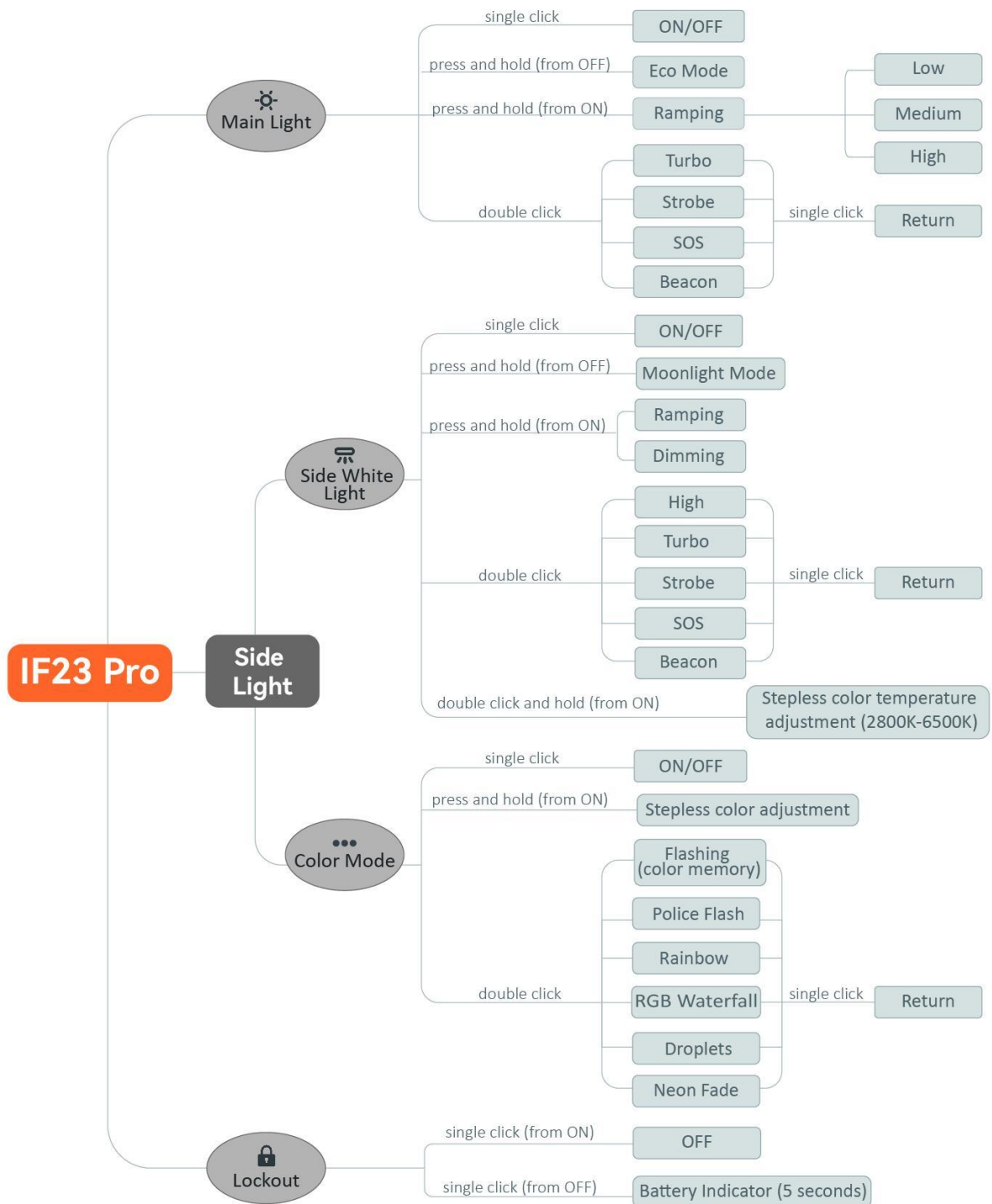
Specifications

- ❖ Emitter: High-powered LEDs
- ❖ Main light: Buck driver
 - Side light: FET driver
- ❖ Battery Option: 1×21700 battery
- ❖ Working Voltage: 3V-4.2V
- ❖ Mode Operation: Side e-switch and magnetic rotary switch
- ❖ USB Type-C charging
- ❖ Material: AL6061-T6 aluminium alloy
- ❖ Water Resistance: IP66 waterproof
- ❖ Size: 31.25*27.5*126*133mm
- ❖ Weight: 130g(without battery)
- ❖ Reverse polarity protection from improper battery installation
- ❖ It features a magnetic tailcap
- ❖ It can be used as a powerbank

General Operation

The IF23 PRO includes two switch designs, and each one functions independently. The rotary switch is used to switch between different modes, while the side e-switch is used to select different brightness levels.





Battery Level Indicator

After turning on the IF23 Pro, or clicking the button when it is in lockout mode, the

indicator will display the power status for 5 seconds.

Green Constant On = 70%-100%

Green Flashes = 40%-70%

Red Constant On = 10%-40%

Red Flashes = 0%-10%

Note: When the flashlight is on, red indicator will keep flashing when the remaining battery is lower than 10%. The flashlight automatically turns off when the battery voltage is lower than 2.8V.

Light Indicator When Charging & Discharging

Charging:

Red = Charging

Green = Fully Charged

Discharging:

No indicator = Sufficient battery level

Red Flashes = Low battery level

IF23 Pro offers a USB type-C charging port for convenient charging and discharging. Please connect it with the included charging cable and use a USB power adapter (not included) with 5V/3A (max) output.

Contact

Please contact us for a refund or replacement, if your flashlight has a problem within the warranty period.

Sofirn Limited:

Mail: Amazon contact: us@sofirnlight.com; eu@sofirnlight.com

Website Contact: service@sofirnlight.com

Address: 1/F to 9/F, 1st Building, NO.110 Tenglong Industrial Center, Guanlan Street, Longhua New District, Shenzhen 518000, China