

GACIRON®

Professional Bike Front Light

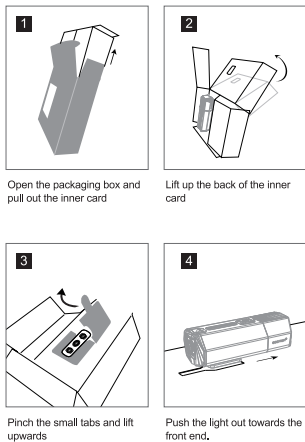
Raptor-3000

User Manual

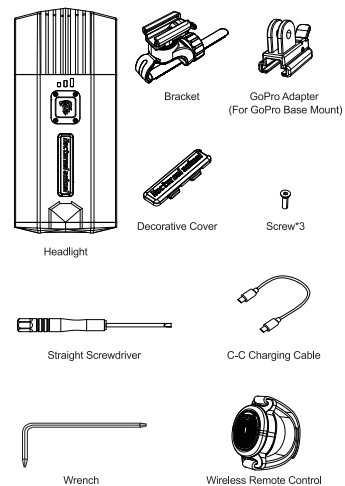
WARNING

- *Please charge the product at the environmental temperature from 5 to 40 degrees Celsius;
- *Please check whether the charging cable is good before charging;
- *When charging, please use the 5V USB power adapter;
- * Please pull the charging plug out after charging;
- *Please do not charge, discharge or store in the hot environment, otherwise it will accelerate the aging of the battery; Please store the fully charged headlights in a cool and dry place;
- *After the correct charge, if the battery usage time is shorter and shorter, it means that the rechargeable battery has reached the effective service life. Please replace the battery at the local maintenance point and properly dispose of the waste rechargeable battery according to local regulations;
- * This product should be charged once every 3 months without use, so as not to cause damage to the battery and resulting in unusable condition;
- *Please do not stare at the light when it is just turned on to avoid damaging the eyesight.
- *After the light is used for long time, please do not touch the light to avoid getting scald.
- * Children are forbidden to use without adults' supervision.

HOW TO PROPERLY REMOVE THE FRONT LIGHT FROM THE PACKAGING



1. PACKAGE LIST



2. INSTALLATION

Two Ways of Installation:
On Top and Underneath the Handlebar

TOP INSTALLATION

① Mount the bracket to the handlebar as below picture, and tighten the nut.

② Slide the bottom of the light into the slot of the bracket. When you hear a "click" sound, the installation is completed.

UNDERNEATH INSTALLATION

① Lever the decorative cover open with the straight screwdriver

② Unscrew the base of the back with wrench

③ Screw the base on the top position of the original decorative cover with the wrench and tighten the screw

④ Insert the decorative cover to the original bottom position of the base

Note: Do not use a torque wrench to tighten the screw.

③ Insert the front light into the multi-functional mount (need to be purchased separately). When you hear a "click" sound, the installation is completed.

Headlight Angle Adjustment
Loosen the nut and adjust the headlight irradiation angle, then tighten the nut. The angle of the headlight can be adjusted according to the actual use, and the adjustable angle of the bracket is 360°.

Note: Avoid directly illuminating the eyes of the drivers and pedestrians when adjusting the angle of the light.

3. WIRELESS REMOTE CONTROL INSTALLATION

BATTERY REPLACEMENT

Open the bottom cover from the gap position.

Please remove the insulating sheet before first use and then power on.

Battery Status Display: When the battery is fully charged, pressing the button will illuminate a blue light. When the battery is low, pressing the button will illuminate a red light.

Bike Light and Remote Control Pairing Operation:

- Turn on the Gaciron headlight with wireless remote control function. Within the first 10 seconds of switching the mode into breathe mode, press and hold the remote control for 1 second to pair. After successful pairing, it will automatically switch to the low brightness mode.
- If pairing fails, please repeat the previous step.

Fix the wireless remote control to the handlebars and adjust it to the appropriate position.

Remote Control Switch Button

Caution: During nighttime riding, accidental pressing of the remote control leading to unexpected shutdown and loss of illumination is a highly dangerous situation for the rider. Please refrain from placing fingers on the remote control while riding.

Warranty Certificate

User's Information(Filled In By User)

Name: _____ Phone: _____

Zip Code: _____

Address: _____

Purchase Date: _____ Year _____ Month _____ Day

The Following Are Filled In By The Consignee:

Sales Information: _____

Sales Company (Stamped With Company Seal)

Phone: _____

Address: _____

Nearby Service Guidance(Customer First Contact Point)

Service Unit: _____

Phone: _____

Address: _____

Warranty Card

- Please contact the wholesaler for customer service. For inherent problems under correct use, we accept a return during seven days since purchase. Users are allowed to replace a new product of the same model for free during fifteen days since purchase, and package is excluded in the replacement.
- Purchase date is defined in accordance with the invoice or receipt made by wholesaler.
- Under the following circumstances, replacement and warranty are both invalidated, but we offer a paid repair service.
 - All damages caused by subjective factors, such as using under abnormal conditions or against the user manual.
 - User's independent repairing and modifying or other unauthorized maintenance.
 - Damages caused by improper shipping.
- We offer replacement/maintenance service by presenting this card, please show your invoice or receipt when the service is needed.
- Gaciron is irresponsible for any damages caused by the following improper uses.
 - Hidden safety hazards or incidents caused by user's improper operation.
 - Hidden safety hazards or accidents caused by irresistible factors.
 - Damages or accidents or injuries caused by user's independent operation against the manual or, using other materials or accessories on the product which causes malfunction.
- Wherever you purchase this product, you have the total access to equivalent services from the nearest customer service center; if the problem is not solved to your satisfaction, please make a phone call to us or email to our customer service department.
- The company reserves all the right to modify and explain the above terms.

4. OUTPUT

Open the rubber plug at the rear of the light, insert the C-C charging cable into the port to charge the device which is needed, such as: mobile phone, tablet, taillight, camera, etc.

Note: The C-C charging cable must be plugged into place before charging other devices.

C-C Charging Cable

5. INPUT

Open the rubber plug at the rear of the light, insert the C-C charging cable into the port and connect to the charging device. Red light indicator flashes when charging. Blue light indicator is on when fully charged.

Note: While Charging, the light can only operate in low brightness mode.

C-C Charging Cable

6. OPERATION AND FUNCTION

- Turn ON/OFF:** Long press power button for 0.75 seconds.
- Switch Modes:** When the light is turned on, under the high beam or low beam mode, short press the power button to cycle through the modes of Low Steady - Medium Steady - High Steady - Cycle.

Working Mode	Running Time
High Steady (Low Beam) 1200 lm	≈4hrs
Medium Steady (Low Beam) 800 lm	≈8hrs
Low Steady (Low Beam) 400 lm	≈16hrs
High Steady (High Beam) 3000 lm	≈2hrs
Medium Steady (High Beam) 1500 lm	≈4hrs
Low Steady (High Beam) 750 lm	≈8hrs
Breathe (Hidden Mode) 100-50 lm	≈40hrs
Daytime Flash (Hidden Mode) 1000 lm	≈55hrs

③ **Hidden Modes:** Under any working mode, long press 2 seconds to enter or exit the hidden modes. After entering the hidden modes, short press to cycle through the modes of Breathe - Daytime Flash - Cycle.

④ **Switch between High Beam & Low Beam Mode:** When powered on, under the low beam mode, double-click the power button within 0.4 seconds in any brightness mode to switch to high beam mode; when under the high beam mode, double-click the power button within 0.4 seconds in any brightness mode to switch to the low beam.

Working Mode Indicator

ON/OFF Button

Working Mode Indicator: Starting from the left, one light indicates low steady mode, two lights indicate medium steady mode, and three lights indicate high steady mode. In low beam mode, the lights are green; in high beam mode, the lights are red.

⑤ **Battery Indicator:** When the light is turned off, short press the power button, it will light up for 5 seconds before it lights off.

Remaining Battery	Indicator Color
100%-61%	Blue
60%-21%	Yellow
20%-1%	Red

When the remaining battery is below 10%, it will automatically lock into breathe mode and cannot switch modes.

⑥ **Lock-out Function:** When the light is turned off, long press the button for 5 seconds to enter the lock-out mode. After entering the lock-out mode, all button operation is invalid. Pressing the battery indicator light will flash rapidly three times.

In the lock-out mode:

- Quick click 5 times within 3 seconds to exit the lock-out mode.
- Charge the light to exit the lock-out mode.

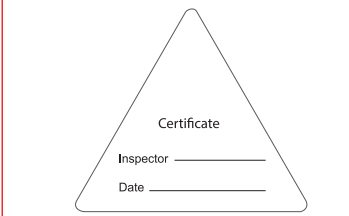
⑦ **Wireless Remote Control:** The operation of the remote control is the same with the power button for above points 1-4. (Without the control to enter the lock-out mode).

⑧ **Circuit Protection:** Circuit overcharge protection / Overdischarge protection / Short circuit protection / High temperature protection

⑨ **Temperature Control Protection:** When the temperature is higher than 75 °C, it will automatically switch to low steady mode. When the temperature is lower than 65 °C, it will switch back to the memorized mode. When the temperature is higher than 90°C or lower than -20 °C, it will enter the protection mode. It will force to be locked in low beam low steady mode, and the power indicator flashes 3 times and then turn off for 1 second and then repeats this pattern. If the temperature returns to normal, it will exit the protection mode.

7. SPECIFICATION

Model	Raptor-3000
Light Source	LED
Max Brightness	3000lm
Battery	10000mAh
Input	5V/2.0A
Output	5V/2.0A
Charging Time	≈4.5hrs
Optical Beam Pattern	Cut-Off Beam
Beam Distance	>200m
Waterproof Level	IPX6
Dimension	108*40.6*49mm
Net Weight	≈290g



Shenzhen Gaciron Technology Co.,Ltd
Headquarters: Rm101, Joinin Hub, Innovation Community, Honggang North, No. 49th, Dabao Rd, 28th District, Bao'an, Shenzhen, China

Customer service hotline: 86 755-23322700
Website: www.gaciron.com
Product Standard: Q/JXL 004-2022
Made in China

RoHS FC CE